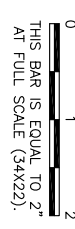


REVISIONS		
NUMBER	BY	DATE



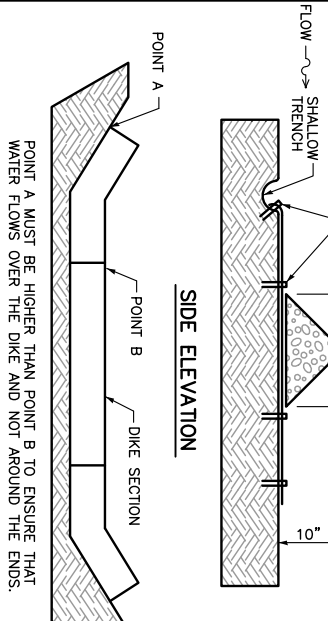
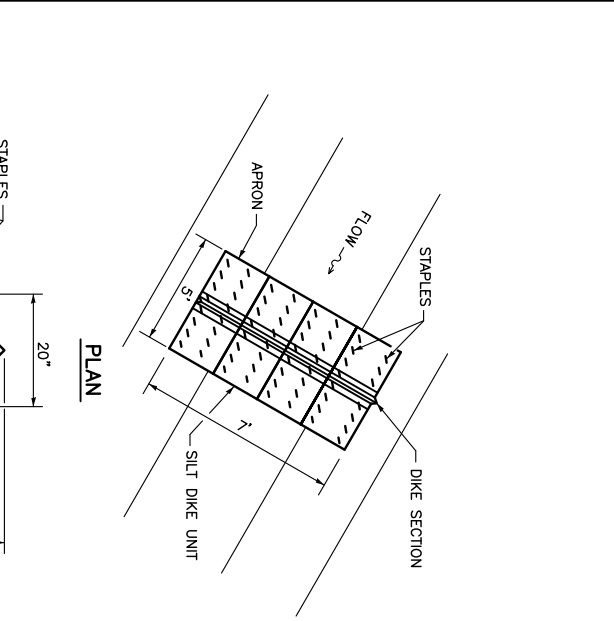
**CHICAGO EXECUTIVE AIRPORT
 WHEELING/PROSPECT HEIGHTS, ILLINOIS
 CONSTRUCT PARTIAL PARALLEL TAXIWAY ECHO AND
 PARTIAL OVERLAY OF TAXIWAY ECHO**

**STORM WATER POLLUTION
 PREVENTION PLAN (SWPPP)
 DETAILS**

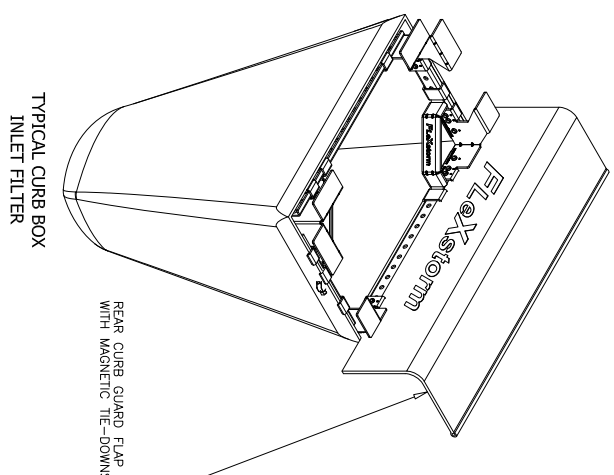
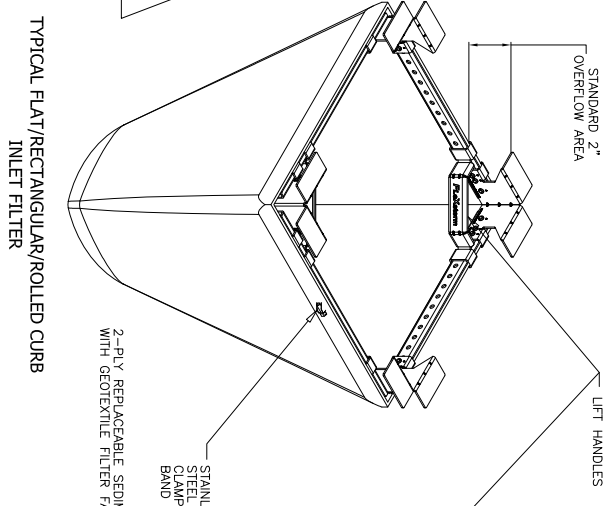
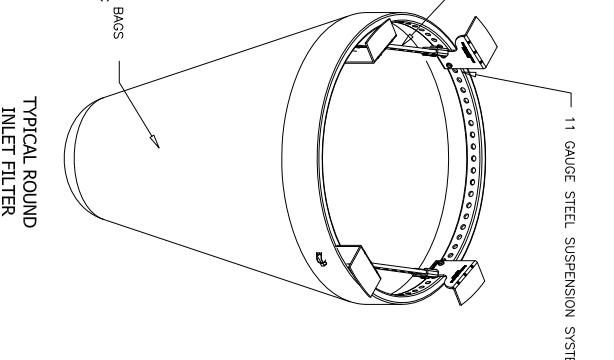
© Copyright CMT, Inc.

CMT
 CRAWFORD, MURPHY & TILLY, INC.
 CONSULTING ENGINEERS
 License No. 184-000613

DESIGN BY:	MJW
DRAWN BY:	MJW
CHECKED BY:	MLK
APPROVED BY:	DLP
DATE:	04/22/11
JOB No.:	08290-08
ILLINOIS PROJECT: PWK-3244	
A.I.P. PROJECT: 3-17-0018-B32	
SHEET 9 OF 49 SHEETS	

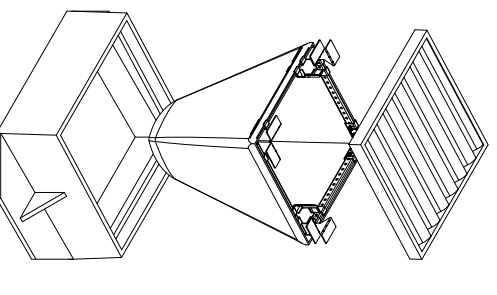


URETHANE FOAM/GEOTEXTILE DITCH CHECK
 NOT TO SCALE
 FROM IDOT STANDARD 280001-04



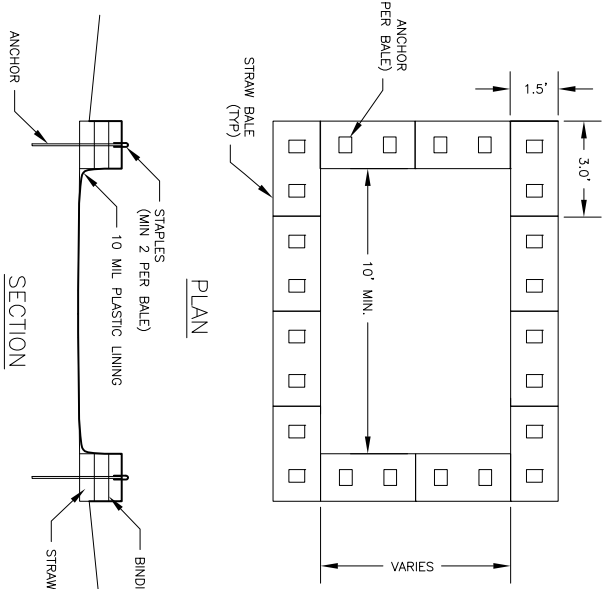
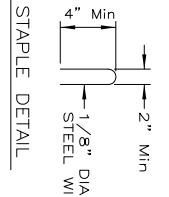
IPP Flexstorm Inlet Filter Specifications

Material Property	Test Method	Value (min over)
> Inner Filter Bag Specs (2 ft ³ min vol)		
Grab Tensile	ASTM D 4832	100 lbs
Puncture Strength	ASTM D 4833	65 lbs
Trapezoidal Tear	ASTM D 4533	45 lbs
UV Resistance	ASTM D 4355	70% at 500 hrs
App Open Size (AOS)	ASTM D 4751	70 sieve (.212 mm)
Permittivity	ASTM D 4491	2.0 /sec
Water Flow Rate	ASTM D 4491	145 gpm/sqft
> Polyester Outer Reinforcement Bag Specifications		
Weight	ASTM D 3776	4.55 oz/5sqyd +/- 15%
Thickness	ASTM D 1777	.040 +/- .005
> Frame Construction		
A36 Structural Steel:	ASTM A 576	Tensile Strength > 58,000 psi;
11 Gauge Zinc Plated		Yield Strength > 36,000 psi

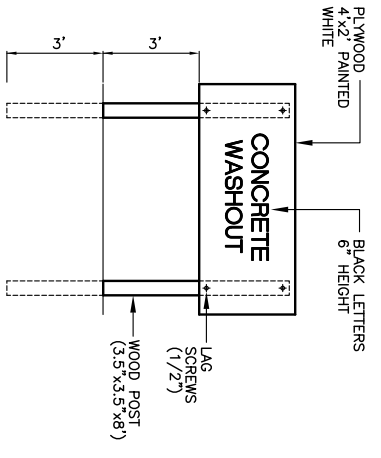


INLET PROTECTION / SEDIMENT TRAP
 NOT TO SCALE
 STORM SEWER INLET PROTECTION SHALL BE FLEXSTORM INLET FILTERS AS DETAILED HEREIN OR APPROVED EQUAL

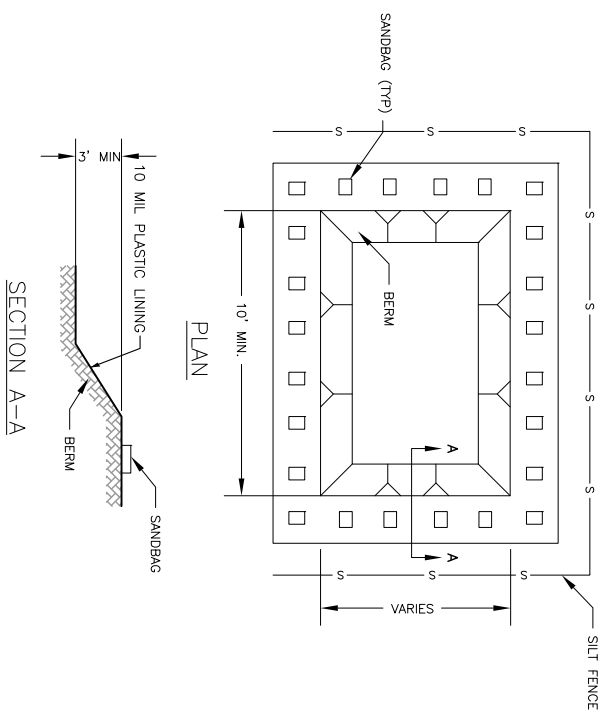
- NOTES:**
- CONTRACTOR SHALL DETERMINE LOCATION AND SIZE OF WASHOUT.
 - WASHOUT SIZE AND LOCATION SHALL BE APPROVED BY THE ENGINEER.
 - A CONCRETE WASHOUT SIGN SHALL BE INSTALLED WITHIN 20 FEET OF THE TEMPORARY CONCRETE WASHOUT FACILITY. AT A MINIMUM, THE SIGN SHALL READ "CONCRETE WASHOUT IN 6" TALL LETTERS.
 - INSPECTION SHALL OCCUR ONCE PER WEEK AND DAILY DURING CONCRETE OPERATIONS. REPAIR/REPLACEMENT OF THE FACILITY SHALL BE MADE SUCH THAT CONCRETE WASTE IS CONTAINED.
 - MEDIA SHALL BE REMOVED AND DISPOSED OF AT A LEGAL OFF-SITE LOCATION WHEN THE FACILITY HAS REACHED 50% CAPACITY.
 - UPON COMPLETION OF CONCRETE OPERATIONS, THE CONCRETE WASHOUT AND ALL MATERIALS CONTAINED WITHIN SHALL BE DISPOSED OF AT A LEGAL OFF-SITE LOCATION.



ABOVE GROUND TEMPORARY WASHOUT



**CONCRETE WASHOUT
 SIGN DETAIL
 (OR EQUIVALENT)**



BELOW GROUND TEMPORARY WASHOUT

CONCRETE WASHOUT
 NOT TO SCALE

- NOTES:**
- CONTRACTOR SHALL DETERMINE LOCATION AND SIZE OF WASHOUT.
 - WASHOUT SIZE AND LOCATION SHALL BE APPROVED BY THE ENGINEER.
 - SANDBAGS SHALL BE INSTALLED TO ANCHOR THE LINING. THE NUMBER OF SANDBAGS SHALL BE DETERMINED BY THE CONTRACTOR. THE CONTRACTOR SHALL ADD SANDBAGS SO AS TO MAINTAIN ANCHORING OF THE LINING.
 - A CONCRETE WASHOUT SIGN SHALL BE INSTALLED WITHIN 20 FEET OF THE TEMPORARY CONCRETE WASHOUT FACILITY. AT A MINIMUM, THE SIGN SHALL READ "CONCRETE WASHOUT IN 6" TALL LETTERS.
 - THE TEMPORARY WASHOUT FACILITY SHALL BE SURROUNDED BY SILT FENCE ON ALL SIDES.
 - INSPECTION SHALL OCCUR ONCE PER WEEK AND DAILY DURING CONCRETE OPERATIONS. REPAIR/REPLACEMENT OF THE FACILITY SHALL BE MADE SUCH THAT CONCRETE WASTE IS CONTAINED.
 - MEDIA SHALL BE REMOVED AND DISPOSED OF AT A LEGAL OFF-SITE LOCATION WHEN THE FACILITY HAS REACHED 50% CAPACITY.
 - UPON COMPLETION OF CONCRETE OPERATIONS, THE CONCRETE WASHOUT AND ALL MATERIALS CONTAINED WITHIN SHALL BE DISPOSED OF AT A LEGAL OFF-SITE LOCATION.