

SUMMARY OF QUANTITIES					
ITEM NO.	ITEM	CONSTRUCTION TYPE CODE 0010			
		UNIT	TOTAL	LUCINDA AVE.	N. 1ST ST.
* 20100110	TREE REMOVAL (6 TO 15 UNITS DIAMETER)	UNIT	96	0	96
20200100	EARTH EXCAVATION	CU YD	600	100	500
20300100	CHANNEL EXCAVATION	CU YD	1141	324	817
20800150	TRENCH BACKFILL	CU YD	90	70	20
21101615	TOPSOIL FURNISH AND PLACE, 4"	SQ YD	2844	402	2442
21301052	EXPLORATION TRENCH 52" DEPTH	FOOT	50	25	25
25000110	SEEDING, CLASS 1A	ACRE	0.5	0.1	0.4
25000312	SEEDING, CLASS 4A	ACRE	0.2	0	0.2
25000400	NITROGEN FERTILIZER NUTRIENT	POUND	46	11	35
25000600	POTASSIUM FERTILIZER NUTRIENT	POUND	46	11	35
28000400	PERIMETER EROSION BARRIER	FOOT	957	252	705
28000510	INLET FILTERS	EACH	12	8	4
28001100	TEMPORARY EROSION CONTROL BLANKET	SQ YD	2844	402	2442
28100107	STONE RIPRAP, CLASS A4	SQ YD	1653	721	932
28200200	FILTER FABRIC	SQ YD	1653	721	932
31101200	SUBBASE GRANULAR MATERIAL, TYPE B 4"	SQ YD	1419	887	532
31101400	SUBBASE GRANULAR MATERIAL, TYPE B 6"	SQ YD	351	0	351
40500290	BITUMINOUS MATERIALS (TACK COAT)	POUND	398	200	198
40603080	HOT-MIX ASPHALT BINDER COURSE, IL-19.0, N50	TON	911	547	364
40604060	HOT-MIX ASPHALT SURFACE COURSE, IL-9.5, MIX "D", N50	TON	195	99	96
42400200	PORTLAND CEMENT CONCRETE SIDEWALK 5 INCH	SQ FT	6116	1853	4263
42400800	DETECTABLE WARNINGS	SQ FT	40	24	16
44000100	PAVEMENT REMOVAL	SQ YD	2150	1138	1012
44000200	DRIVEWAY PAVEMENT REMOVAL	SQ YD	80	0	80
44000500	COMBINATION CURB AND GUTTER REMOVAL	FOOT	876	298	578
44000600	SIDEWALK REMOVAL	SQ FT	5910	2217	3693
50100100	REMOVAL OF EXISTING STRUCTURES	EACH	2	1	1
50104400	CONCRETE HEADWALL REMOVAL	EACH	1	0	1
50200100	STRUCTURE EXCAVATION	CU YD	766	185	581
50201101	COFFERDAM (TYPE 1) (LOCATION - 1)	EACH	1	0	1
50201102	COFFERDAM (TYPE 1) (LOCATION - 2)	EACH	1	0	1
50300100	FLOOR DRAINS	EACH	14	8	6
50300225	CONCRETE STRUCTURES	CU YD	406.1	117.6	288.5
50300255	CONCRETE SUPERSTRUCTURE	CU YD	735.9	303.7	432.2
50300260	BRIDGE DECK GROOVING	SQ YD	1337	564	773
50300280	CONCRETE ENCASEMENT	CU YD	74.2	28	46.2
50300285	FORM LINER TEXTURED SURFACE	SQ FT	2364	480	1884
50300300	PROTECTIVE COAT	SQ YD	4041	1146	2895
50301350	CONCRETE SUPERSTRUCTURE (APPROACH SLAB)	CU YD	338.9	142.8	196.1
50500505	STUD SHEAR CONNECTORS	EACH	1876	0	1876
50800205	REINFORCEMENT BARS, EPOXY COATED	POUND	482390	198710	283680
* 50901720	BICYCLE RAILING	FOOT	682	0	682
51201900	FURNISHING STEEL PILES HP14X89	FOOT	2807	1117	1690
51202305	DRIVING PILES	FOOT	2807	1117	1690
51203900	TEST PILE STEEL HP14X89	EACH	8	4	4
51204650	PILE SHOES	EACH	52	30	22
51500100	NAMÉ PLATES	EACH	2	1	1
52200105	FURNISHING SOLDIER PILES (W SECTION)	FOOT	1729	0	1729
52200200	DRILLING AND SETTING SOLDIER PILES (IN SOIL)	CU FT	8260	0	8260
52200250	UNTREATED TIMBER LAGGING	SQ FT	1561	0	1561
54213657	PRECAST REINFORCED CONCRETE FLARED END SECTIONS 12"	EACH	1	1	0

SUMMARY OF QUANTITIES					
ITEM NO.	ITEM	CONSTRUCTION TYPE CODE 0010			
		UNIT	TOTAL	LUCINDA AVE.	N. 1ST ST.
54213660	PRECAST REINFORCED CONCRETE FLARED END SECTIONS 15"	EACH	1	0	1
54214521	PRECAST REINFORCED CONCRETE FLARED END SECTIONS, EQUIVALENT ROUND-SIZE 36"	EACH	1	0	1
550A0360	STORM SEWERS, CLASS A, TYPE 2 15"	FOOT	28	0	28
550A5300	STORM SEWERS, CLASS A, TYPE 2 EQUIVALENT ROUND-SIZE 36"	FOOT	80	0	80
55100400	STORM SEWER REMOVAL 10"	FOOT	36	36	0
55100700	STORM SEWER REMOVAL 15"	FOOT	140	0	140
55101600	STORM SEWER REMOVAL 36"	FOOT	88	0	88
56105100	WATER VALVES 10"	EACH	2	2	0
58600101	GRANULAR BACKFILL FOR STRUCTURES	CU YD	714	128	586
59100100	GEOCOMPOSITE WALL DRAIN	SQ YD	319	66	253
60146304	PIPE UNDERDRAINS FOR STRUCTURES 4"	FOOT	583	154	429
60207905	CATCH BASINS, TYPE C, TYPE 11 FRAME AND GRATE	EACH	1	1	0
60223800	MANHOLES, TYPE A, 6'-DIAMETER, TYPE 1 FRAME, CLOSED LID	EACH	1	0	1
60248700	VALVE VAULTS, TYPE A, 4'-DIAMETER, TYPE 1 FRAME, CLOSED LID	EACH	2	2	0
60500040	REMOVING MANHOLES	EACH	1	0	1
60500060	REMOVING INLETS	EACH	2	1	1
60603800	COMBINATION CONCRETE CURB AND GUTTER, TYPE B-6.12	FOOT	435	173	262
* 66900200	NON-SPECIAL WASTE DISPOSAL	CU YD	300	0	300
* 66900530	SOIL DISPOSAL ANALYSIS	EACH	1	0	1
* 66901001	REGULATED SUBSTANCES PRE-CONSTRUCTION PLAN	L SUM	1	0	1
* 66901003	REGULATED SUBSTANCES FINAL CONSTRUCTION REPORT	L SUM	1	0	1
* 66901006	REGULATED SUBSTANCES MONITORING	CAL DA	3	0	3
67000400	ENGINEER'S FIELD OFFICE, TYPE A	CAL MO	6	3	3
57100100	MOBILIZATION	L SUM	1	0.5	0.5
10102640	TRAFFIC CONTROL AND PROTECTION STANDARD 101801	L SUM	1	0.5	0.5
78001100	PAINT PAVEMENT MARKING - LETTERS AND SYMBOLS	SQ FT	62.4	0	62.4
78001110	PAINT PAVEMENT MARKING - LINE 4"	FOOT	1820	420	1400
78001120	PAINT PAVEMENT MARKING - LINE 6"	FOOT	260	260	0
* 78001150	PAINT PAVEMENT MARKING - LINE 12"	FOOT	264	264	0
* 78001180	PAINT PAVEMENT MARKING - LINE 24"	FOOT	45	45	0
20013798	CONSTRUCTION LAYOUT	L SUM	1	0.5	0.5
20016702	DETOUR SIGNING	L SUM	1	0.5	0.5
20030850	TEMPORARY INFORMATION SIGNING	SQ FT	273	126	147
20056668	STORM SEWERS, TYPE 2, WATER MAIN QUALITY PIPE, 12"	FOOT	36	36	0
* 20057300	SANITARY SEWER 18"	FOOT	40	40	0
* X0322786	SANITARY SEWER TESTING	L SUM	1	0.5	0.5
* X0323814	SANITARY SEWER REMOVAL 18"	FOOT	44	44	0
* X0327679	STEEL CASING PIPE AUGERED AND JACKED 30"	FOOT	165	165	0
* X1200200	DUCTILE IRON WATER MAIN, 10" DIAMETER, RESTRAINED JOINT PIPE	FOOT	280	280	0
X1200210	FILTER BAGS	CU YD	20	20	0
* X1200288	SANITARY SEWER BYPASS PUMPING	L SUM	1	0.5	0.5
X4240440	PORTLAND CEMENT CONCRETE SIDEWALK 6 INCH, SPECIAL	SQ FT	5451	0	5451
* X5090850	ORNAMENTAL RAILING	FOOT	216	216	0
* X5610710	WATER MAIN REMOVAL, 10"	FOOT	235	235	0
* X5630710	CONNECTION TO EXISTING WATER MAIN 10"	EACH	2	2	0
X6022810	MANHOLES, SANITARY, 4'-DIAMETER, TYPE 1 FRAME, CLOSED LID	EACH	1	1	0
X6022820	MANHOLES, SANITARY, 5'-DIAMETER, TYPE 1 FRAME, CLOSED LID	EACH	1	1	0
* X6026051	SANITARY MANHOLES TO BE RECONSTRUCTED	EACH	1	1	0
XX006821	CONCRETE TRUCK WASHOUT	L SUM	1	0.5	0.5
* XX009532	SANITARY FORCE MAIN REMOVAL, 20"	FOOT	66	0	66
* XX009533	SANITARY FORCE MAIN, 20"	FOOT	72	0	72
SEE SPECIAL PROVISIONS					

MODEL: D:\p01\2020\2020\11\Lucinda Avenue\Car02\_Design\CADD\_Sheets\2025-1st-summary.dgn  
 FILE NAME: P:2020\2020\11\Lucinda Avenue\Car02\_Design\CADD\_Sheets\2025-1st-summary.dgn

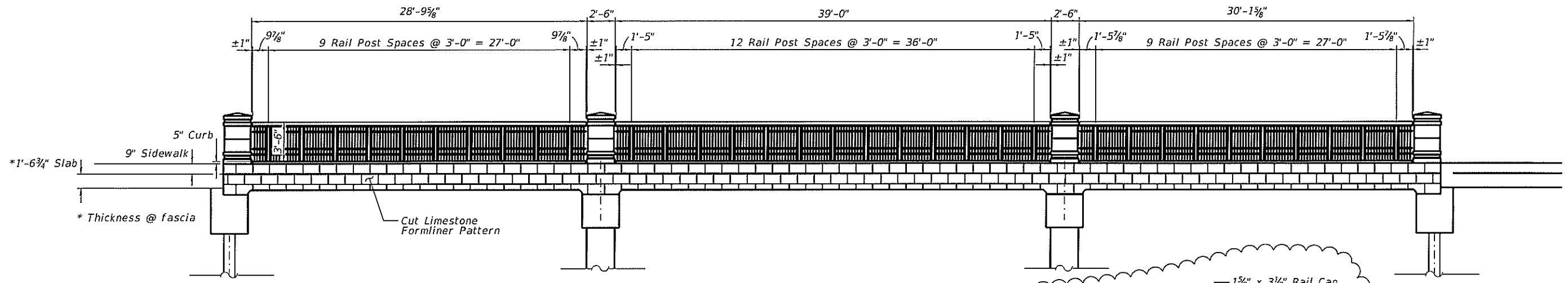
**HAMPTON, LENZINI AND RENWICK, INC.**  
 315 SHEPARD DRIVE  
 ELGIN, ILLINOIS 60120  
 ILLINOIS PROFESSIONAL DESIGN FIRM  
 LICENSE NO. 014-000159

USER NAME = steves	DESIGNED -	REVISED - <u>6/3/2022</u>
PLOT SCALE = 1:1000' / in.	DRAWN -	REVISED -
PLOT DATE = 5/13/2022	CHECKED -	REVISED -
	DATE -	REVISED -

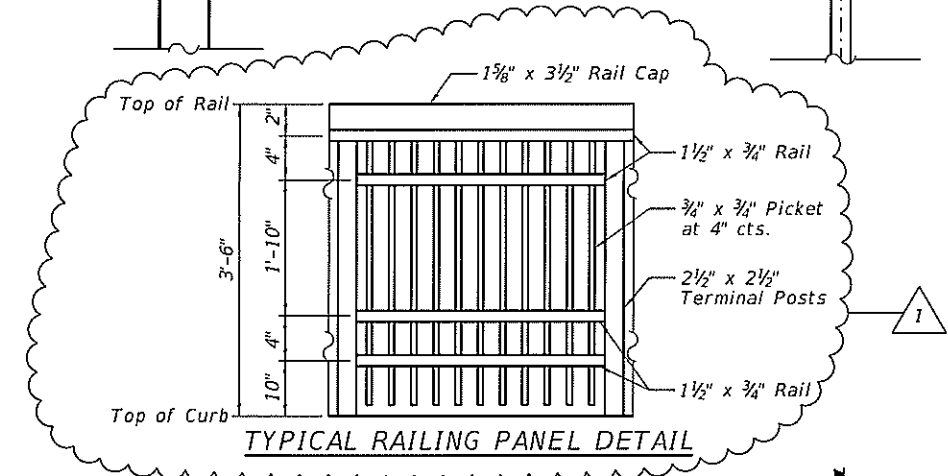
**STATE OF ILLINOIS**  
**DEPARTMENT OF TRANSPORTATION**

LUCINDA AVENUE AND N FIRST STREET			
SUMMARY OF QUANTITIES			
SCALE: NONE	SHEET	OF	SHEETS
STA.		TO	STA.

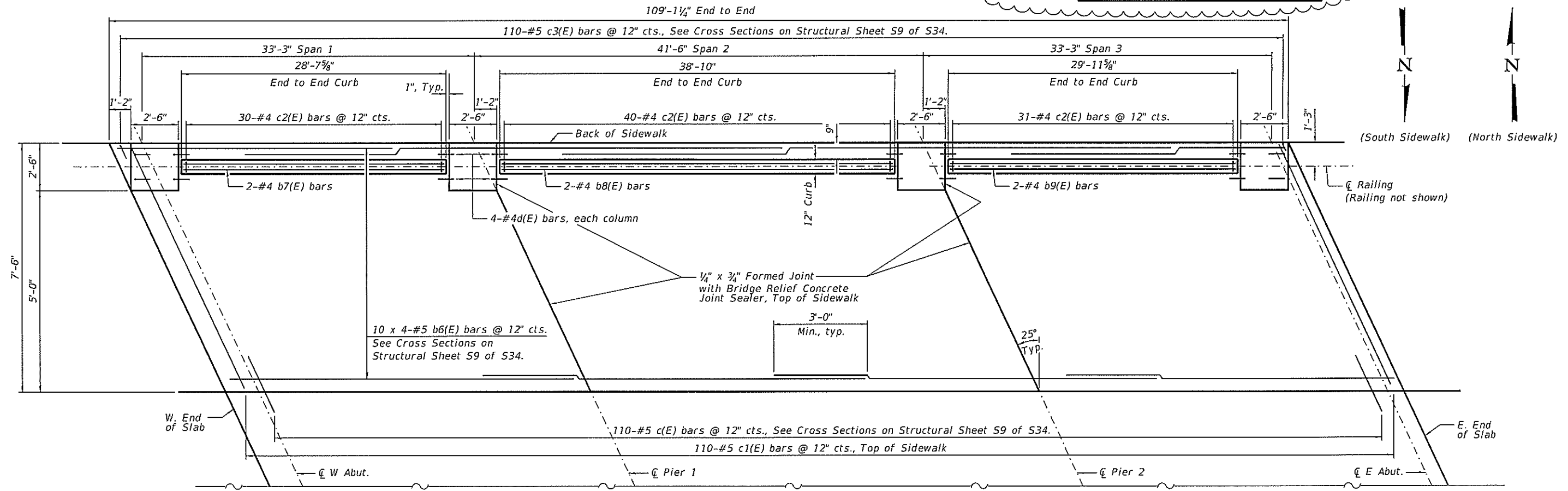
F.A.U. RTE. 5336	SECTION 18-00193-00-BR	COUNTY DeKalb	TOTAL SHEETS 133	SHEET NO. 4
CONTRACT NO. 87779			ILLINOIS FED. AID PROJECT	



**ELEVATION**  
(Looking North @ North Rail & Columns,  
South Rail & Columns Similar)



**TYPICAL RAILING PANEL DETAIL**



**SIDEWALK AND COLUMNS PLAN**

FILE NAME = 200251-sh-brkga Lucinda.dgn	USER NAME = staves	DESIGNED - I.P.N.	REVISED - 6/3/22 - RAILING DETAIL	STATE OF ILLINOIS CITY OF DEKALB	SIDEWALK/RAIL/COLUMNS PLAN & ELEVATION LUCINDA AVENUE - STRUCTURE NO. 019-6109	F.A.U.	SECTION	COUNTY	TOTAL SHEETS	SHEET NO.	
HAMPTON, LENZINI AND RENWICK, INC.		DRAWN - A.C.	REVISED -			5338	18-00193-00-BR	DEKALB	133	32	
2301 STEVENSON DRIVE, SUITE 200 SPRINGFIELD, ILLINOIS 62761		CHECKED - S.M.S.	REVISED -			CONTRACT NO. 87779					
ILLINOIS PROFESSIONAL DESIGN FIRM L.S. IPE & ASSOCIATES, P.C.	PLOT DATE = 6/3/2022	DATE - 6/3/2022	REVISED -			ILLINOIS FED. AID PROJECT					
SHEET NO. S10 OF S34 SHEETS											