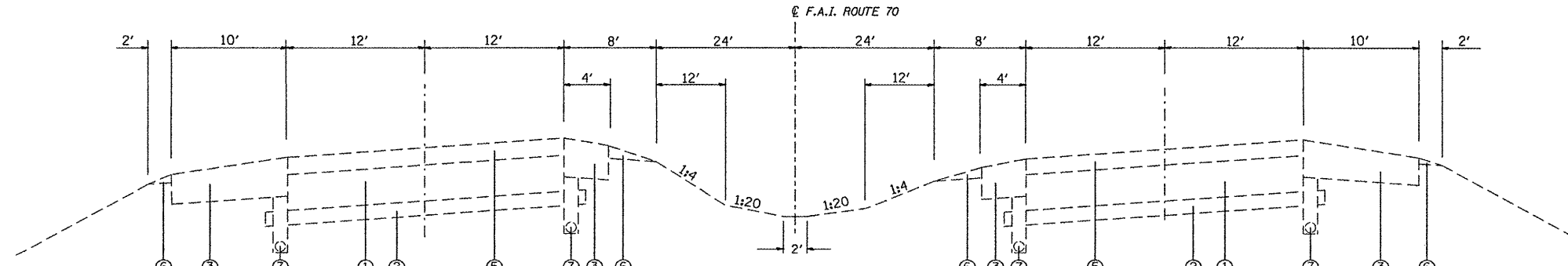


TYPICAL SECTION

M.P. 0.00 TO M.P. 5.72 (WB) M.P. 10.14 TO M.P. 10.21
M.P. 0.00 TO M.P. 5.83 (EB) M.P. 10.63 TO M.P. 10.68
M.P. 6.02 TO M.P. 6.53 (WB) M.P. 10.96 TO M.P. 13.29
M.P. 6.91 TO M.P. 7.54 (EB) M.P. 14.19 TO M.P. 14.21
M.P. 6.88 TO M.P. 7.54 (WB) M.P. 14.54 TO M.P. 14.57
M.P. 8.07 TO M.P. 9.42
M.P. 9.72 TO M.P. 9.88



TYPICAL SECTION

M.P. 5.72 TO M.P. 6.02 (WB)
M.P. 5.83 TO M.P. 6.91 (EB)
M.P. 6.53 TO M.P. 6.88 (WB)
M.P. 7.54 TO M.P. 8.07
M.P. 9.42 TO M.P. 9.72
M.P. 9.88 TO M.P. 10.14
M.P. 10.21 TO M.P. 10.63
M.P. 10.68 TO M.P. 10.96
M.P. 13.29 TO M.P. 14.19
M.P. 14.21 TO M.P. 14.54

LEGEND

- ① EXISTING 8" CONTINUOUSLY REINFORCED P.C.C. PAVEMENT
- ② EXISTING 4" STABILIZED SUB-BASE
- ③ EXISTING STABILIZED SHOULDER
- ④ EXISTING BITUMINOUS RESURFACING, 3 1/4"
- ⑤ EXISTING BITUMINOUS RESURFACING, 5"
- ⑥ EXISTING AGGREGATE SHOULDER, TYPE B
- ⑦ EXISTING PIPE UNDERDRAINS
- ⑧ EXISTING P.C.C PAVEMENT

USER NAME = dintelmanjn	DESIGNED -	REVISED -
	DRAWN -	REVISED -
PLOT SCALE = 100.0000' / in.	CHECKED -	REVISED -
PLOT DATE = 2/9/2012	DATE -	REVISED -

STATE OF ILLINOIS
DEPARTMENT OF TRANSPORTATION

TYPICAL SECTIONS				
SCALE:	SHEET NO.	OF	SHEETS	STA.
				TO STA.

F.A.I. RTE.	SECTION	COUNTY	TOTAL SHEETS	SHEET NO.
70	DIST 8 PATCHING 2012-1	*	8	5
FED. ROAD DIST. NO. ILLINOIS FED. AID PROJECT			CONTRACT NO. 76F31	
*MADISON/BOND				