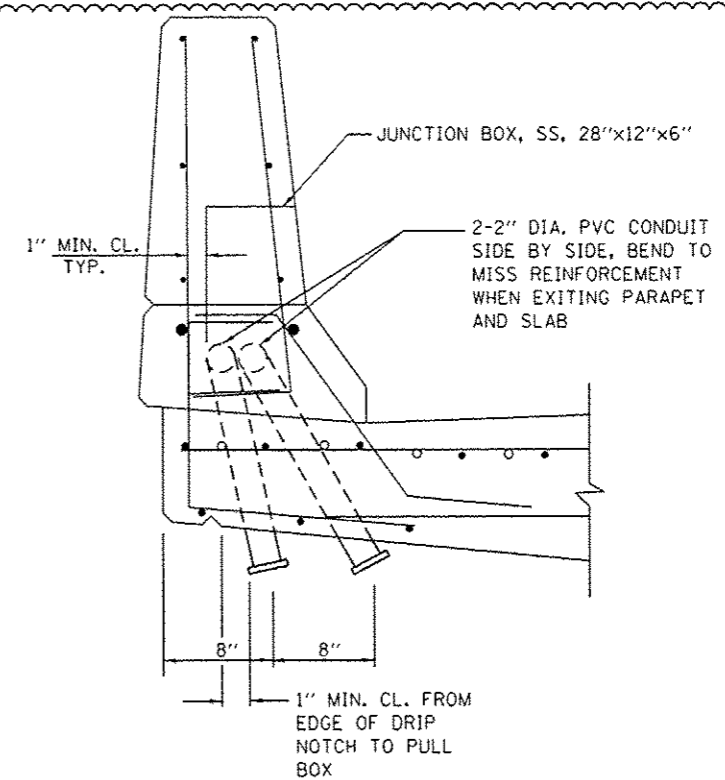


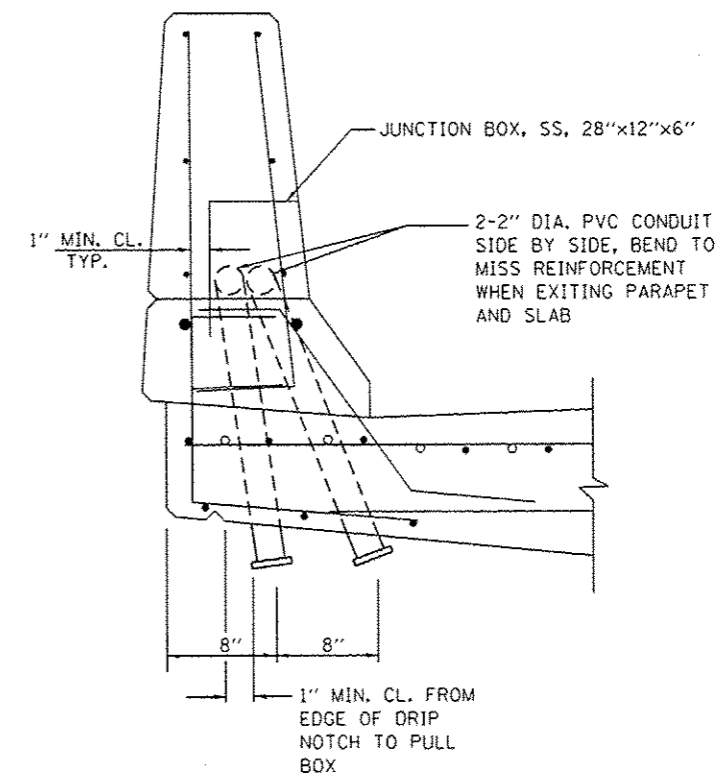
EXPANSION/DEFLECTION CONDUIT COUPLING DETAIL
NOTES 1 AND 6

NOTES:

1. THE CONTRACTOR SHALL INSTALL A CONDUIT EXPANSION/DEFLECTION COUPLING AT THE JOINT LOCATIONS IN THE CONCRETE PARAPET ON THE BRIDGE CAPABLE OF ACCEPTING THE LONGITUDINAL MOVEMENT. ALL METALLIC PARTS OF THE COUPLING SHALL BE MADE OF STAINLESS STEEL OR AS APPROVED BY THE ENGINEER. ANY NON-STAINLESS METAL SHALL BE HOT DIP GALVANIZED AND COATED TO PREVENT REACTION WITH THE CONCRETE. THE COST OF THE COUPLING SHALL BE PART OF AND INCIDENTAL TO THE CONDUIT SYSTEM.
2. THE BARREL IN THE EXPANSION FITTING SHALL BE IN THE CONCRETE ON ONE SIDE OF THE EXPANSION JOINT. ONE HALF THE LENGTH OF THE DEFLECTION FITTING SHALL BE EMBEDDED IN THE CONCRETE ON THE OTHER SIDE OF THE COUPLING.
3. A CAVITY OPENING 3" LARGER IN DIAMETER THAN THE DEFLECTION FITTING SHALL BE PROVIDED IN THE CONCRETE TO ENSURE PROPER PERFORMANCE OF THE COUPLING.
4. CAREFUL ATTENTION TO JOINT MOVEMENT OVER A RANGE OF TEMPERATURES SHALL BE COORDINATED WITH THE SELECTION AND INSTALLATION OF THE COUPLING TO ENSURE THE RANGE OF MOVEMENT OF THE COUPLING IS NOT EXCEEDED AT TEMPERATURE EXTREMES.
5. ALL MANUFACTURER'S INSTALLATION INSTRUCTIONS SHALL BE CAREFULLY FOLLOWED TO ENSURE OPTIMUM PERFORMANCE OF THE EXPANSION/DEFLECTION COUPLING.
6. THE CONTRACTOR SHALL INSTALL COUPLINGS AT ALL BRIDGE EXPANSION JOINTS AND SHALL BE RESPONSIBLE TO DETERMINE THE PROPER NUMBER OF COUPLINGS REQUIRED. SEE STRUCTURAL DRAWINGS FOR THE EXPANSION JOINT LOCATIONS.
7. WITH THE APPROVAL OF THE ENGINEER, THE CONTRACTOR MAY SUBSTITUTE TWO (2) STAINLESS STEEL JUNCTION BOXES ATTACHED TO THE BACK OF THE WALL AND CONNECTED BY A HIGH GRADE OF FLEXIBLE NON-METALLIC CONDUIT FOR ALL EXPANSION JOINTS. THIS SUBSTITUTION SHALL BE MADE AT NO ADDITIONAL COST TO THE DEPARTMENT.



TRANSITION TO END OF RETAINING WALL(S)



DROP-OUT AT ABUTMENT WALL(S)

A

FILE PATH: C:\Users\jgarcia\Documents\AECOM\Projects\Illinois\Roadway\Sheets\60W28_Contract\012428.dwg



D160W28-sh1-175-09A	DESIGNED - GWS	REVISED - A 5/27/2014
USER NAME: jgarcia	DRAWN - CAM	REVISED -
PLOT SCALE: 617.1420 1/2 in.	CHECKED - JDC	REVISED -
PLOT DATE: 5/21/2014	DATE - 04/28/14	REVISED -

DESIGNED - GWS	REVISED - A 5/27/2014
DRAWN - CAM	REVISED -
CHECKED - JDC	REVISED -
DATE - 04/28/14	REVISED -

**STATE OF ILLINOIS
DEPARTMENT OF TRANSPORTATION**

ITS CONDUIT EXPANSION DETAIL

SCALE: NO SCALE SHEET 9A OF 9 SHEETS STA. TO STA.

F.A.I. RTE.	SECTION	COUNTY	TOTAL SHEETS	SHEET NO.
90/94/290	2013-010R	COOK	747	316A
CONTRACT NO. 60W28				
ILLINOIS FED. AID PROJECT				