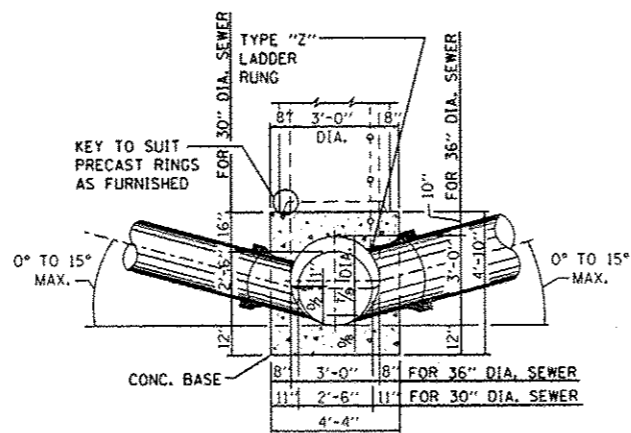
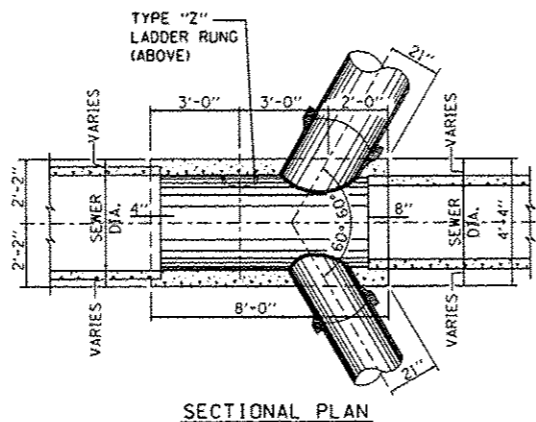
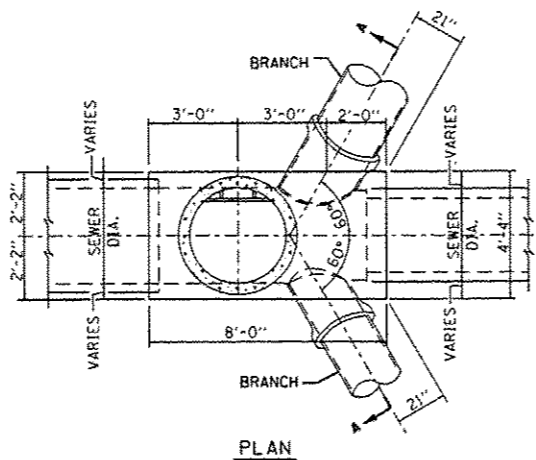


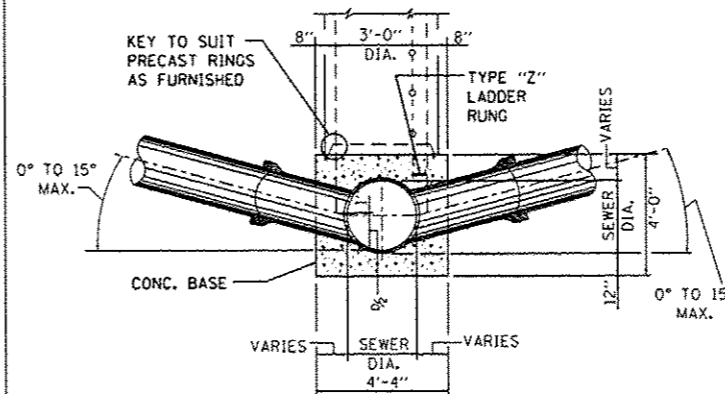
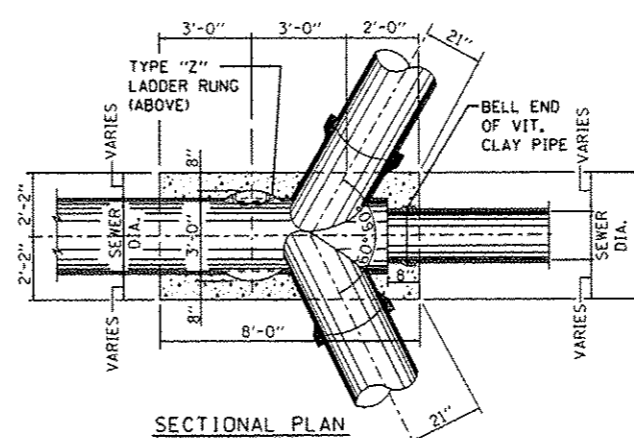
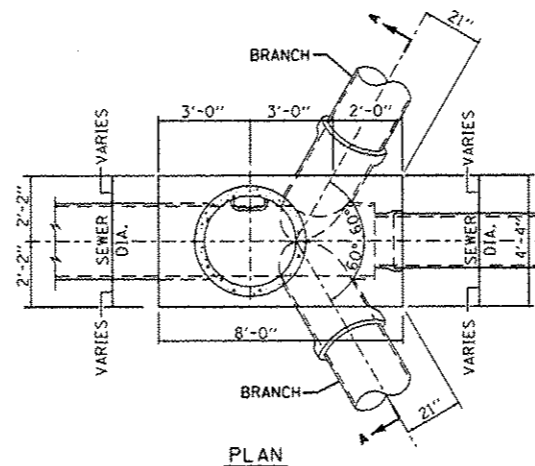
Not To Scale



SECTION A-A

TYPE "B" MANHOLE  
FOR SEWERS 36" DIA. & 30" DIA.

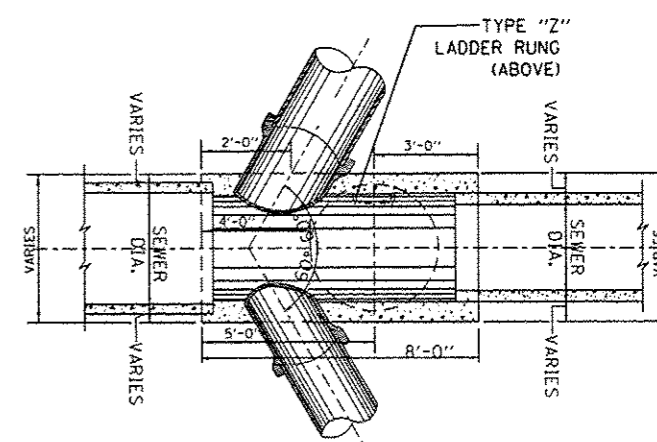
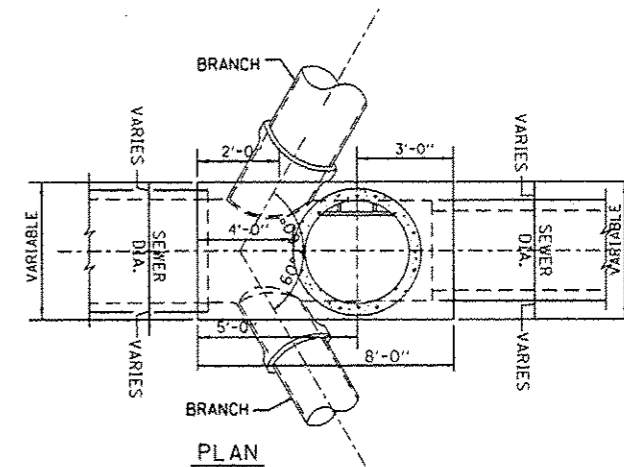
Not To Scale



SECTION A-A

TYPE "B" MANHOLE  
FOR SEWERS 24" DIA. & SMALLER

Not To Scale



SECTIONAL PLAN

TYPICAL REVERSE TYPE "B" MANHOLE

Not To Scale

- NOTES:
1. CONTRACTOR MUST SUBMIT SHOP DRAWINGS OF ALL PROPOSED MANHOLE CONFIGURATIONS FOR APPROVAL PRIOR TO SUBMISSION OF MATERIAL ORDERS.
  2. CONNECTION BELLS MAY BE INSTALLED AT MANUFACTURER'S SITE, OR MORTARED IN PLACE IN THE FIELD. SEE SHEET A.10A FOR FURTHER CONFIGURATION DETAILS.
  3. BASES MUST BE PRECAST WITH THE CORRECT NUMBER OF PIPE OPENINGS, CORRESPONDING TO THE REPRESENTATION IN THE PLAN AND PROFILE SHEETS.
  4. PATCHING, BRICKING, OR OTHER MATERIAL METHODS OF CLOSING UNUSED HOLES WILL NOT BE ACCEPTED.

STANDARD REVISIONS	
DATE	DESCRIPTION
1/22/14	APPROVED PLAN

PERCENT COMPLETE	DATE
30	
60	
75	
90	
100	

CITY OF CHICAGO DEPARTMENT OF WATER MANAGEMENT BUREAU OF ENGINEERING SERVICES		DRG. DESIGNED CHECKED	A.9
TYPE "B" MANHOLE		REVIEWED	
		OF	
		PN	



USER NAME: schroeder  
PLOT SCALE: 2.0000  
PLOT DATE: 5/24/2014

DESIGNED -  
DRAWN -  
CHECKED -  
DATE - 04/28/14

REVISED - 5/27/2014  
REVISED -  
REVISED -  
REVISED -

STATE OF ILLINOIS  
DEPARTMENT OF TRANSPORTATION

CHICAGO DEPARTMENT OF WATER MANAGEMENT  
STANDARD DETAILS

SCALE: NTS SHEET 5A OF 8 SHEETS STA. TO STA.

F.A.I. RTE.	SECTION	COUNTY	TOTAL SHEETS	SHEET NO.
90/94/290	2013-010R	COOK	747	641A
CONTRACT NO. 60W28				
ILLINOIS FED. AID PROJECT				