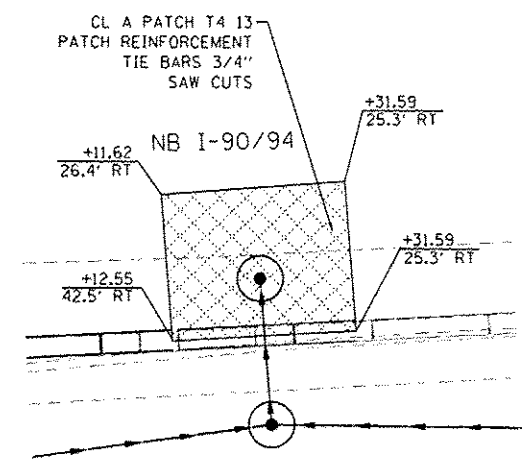
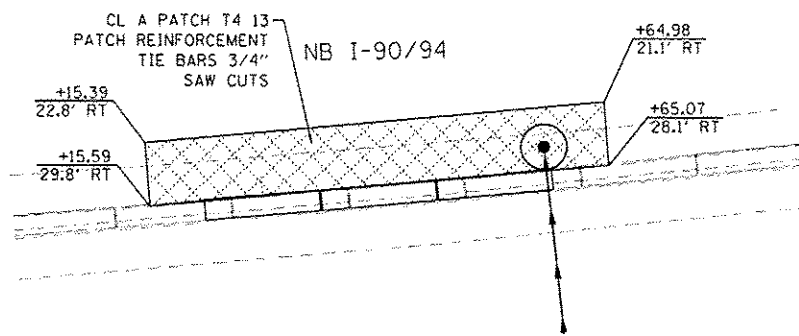


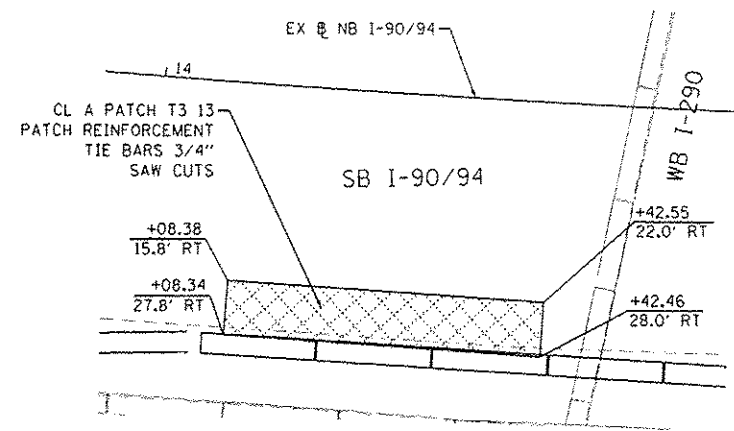
**PATCHING DETAIL A**  
**NB I-90/94**  
 SCALE: NONE



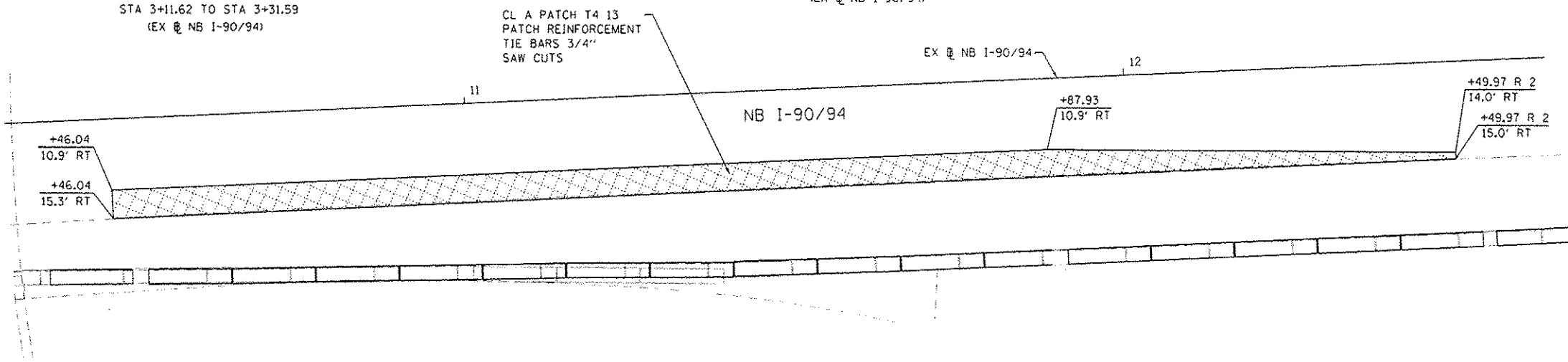
**PATCHING DETAIL B**  
**NB I-90/94**  
 SCALE: NONE  
 STA 3+11.62 TO STA 3+31.59  
 (EX @ NB I-90/94)



**PATCHING DETAIL C**  
**NB I-90/94**  
 SCALE: NONE  
 STA 6+15.39 TO STA 6+65.07  
 (EX @ NB I-90/94)



**PATCHING DETAIL D**  
**SB I-90/94**  
 SCALE: NONE  
 STA 14+08.34 TO STA 14+42.55  
 (EX @ NB I-90/94)



**PATCHING DETAIL E**  
**NB I-90/94 AT TEMPORARY RAMP NW**  
 SCALE: NONE  
 STA 10+46.04 TO STA 12+49.97  
 (EX @ NB I-90/94)

- NOTES:**
1. THE PROPOSED CONCRETE BARRIER BASE MAY BE POURED MONOLITHICALLY WITH THE CONC BAR 2F 42HT AND /OR THE PROPOSED CLASS A PATCHES.
  2. SEE HIGHWAY STANDARDS 442001 FOR ADDITIONAL REINFORCEMENT AND PATCHING DETAILS.
  3. CONTRACTOR SHALL FIELD VERIFY EXISTING PAVEMENT THICKNESSES PRIOR TO PLACING PATCH.



USER NAME: elizadehn	DESIGNED - OPS	REVISED - 5/27/2014
PLOT SCALE: 20.0000' / 1"	DRAWN - NSA	REVISED -
PLOT DATE: 5/27/2014	CHECKED - DBM	REVISED -
	DATE - 04/28/14	REVISED -

STATE OF ILLINOIS  
 DEPARTMENT OF TRANSPORTATION

SCALE: N.T.S.	SHEET 1 OF 2 SHEETS	STA. TO STA.
---------------	---------------------	--------------

F.A.I. RTE. 90/94/290	SECTION 2013-010R	COUNTY COOK	TOTAL SHEETS 747	SHEET NO. 644R
CONTRACT NO. 60W28			ILLINOIS FED. AID PROJECT	