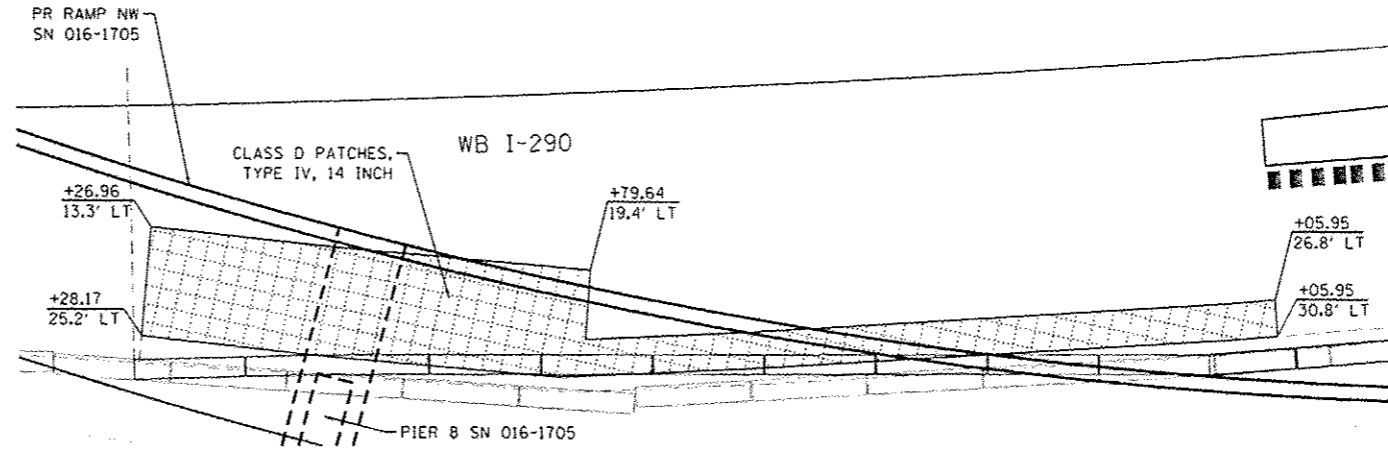


PATCHING DETAIL F

SB I-90/94

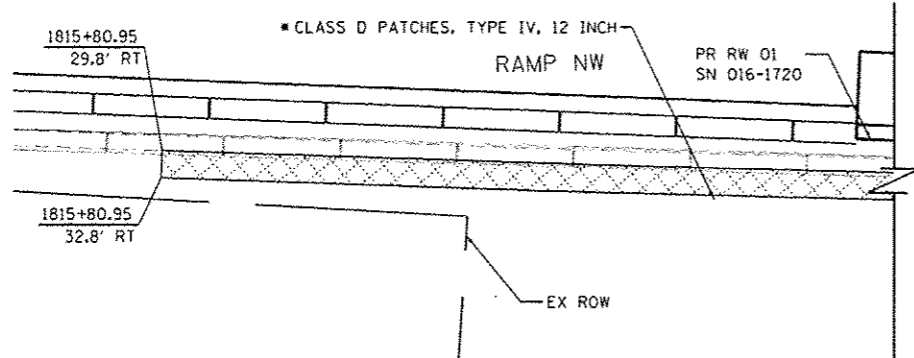
SCALE: NONE
STA 15+15.44 TO STA 15+30.65
(EX @ SB I-90/94)



PATCHING DETAIL G

WB I-290

SCALE: NONE
354+79.54 TO STA 355+26.96
(EX @ WB I-290)

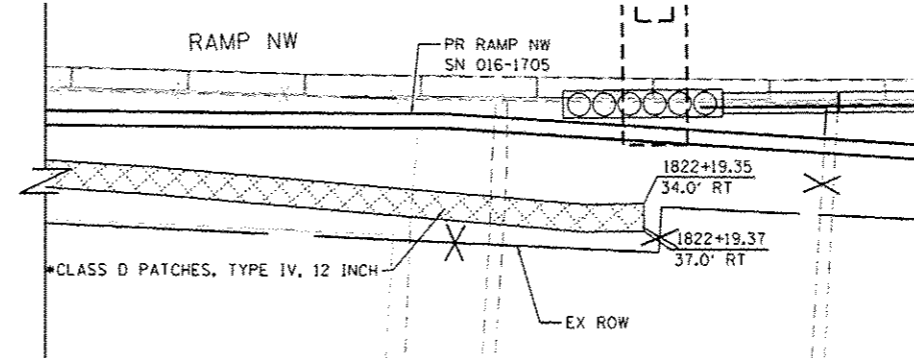


DETAIL H
VERNON PARK PLACE

STA 1815+80.95 TO STA 1822+19.37
(PR @ RAMP NW)

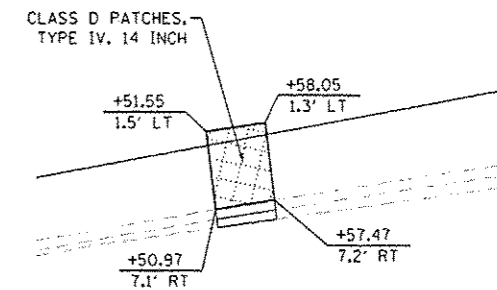
SCALE: NONE

*PATCHING IS OFFSET 1.5' ON BOTH SIDES OF PROPOSED ELECTRICAL LINE
(SEE ELECTRICAL PLANS FOR ADDITIONAL DETAILS)



NOTES:

1. THE PROPOSED CONCRETE BARRIER BASE MAY BE POURED MONOLITHICALLY WITH THE CONC BAR 2F 42HT AND /OR THE PROPOSED CLASS A PATCHES.
2. SEE HIGHWAY STANDARDS 442001 FOR ADDITIONAL REINFORCEMENT AND PATCHING DETAILS.
3. CONTRACTOR SHALL FIELD VERIFY EXISTING PAVEMENT THICKNESS BEFORE PLACING PATCH.

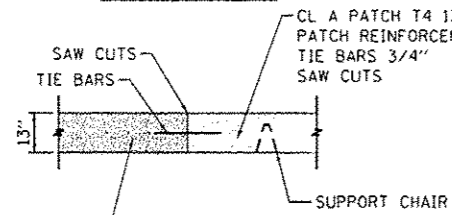


PATCHING DETAIL I

WB I-290

SCALE: NONE
25+50.97 TO STA 25+58.05
(EX @ WB I-290)

CLASS A
PATCHING DETAILS

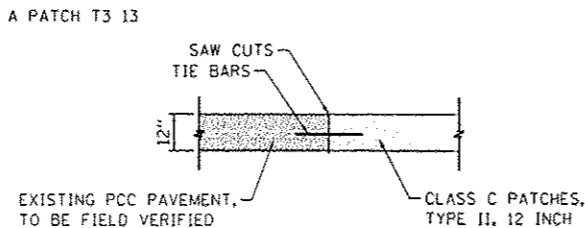


TYPICAL SECTION 1

CLASS A PATCHES AT NB I-90/94 & SB I-90/94

N.T.S.
(APPLIES TO PATCHING DETAILS B, C, D, E, AND F)

CLASS C
PATCHING DETAILS

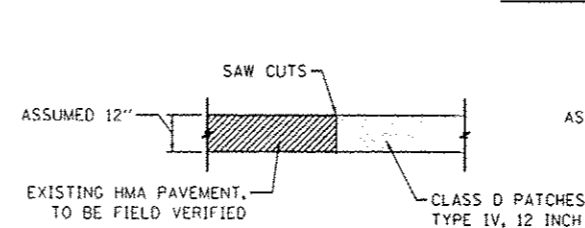


TYPICAL SECTION 2

CLASS C PATCHES AT TAYLOR STREET ENTRANCE RAMP

N.T.S.
(APPLIES TO PATCHING DETAIL A)

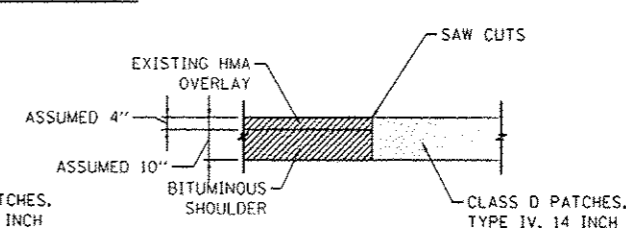
CLASS D
PATCHING DETAILS



TYPICAL SECTION 3

CLASS D PATCHES AT VERNON PARK PLACE

N.T.S.
(APPLIES TO PATCHING DETAIL H)



TYPICAL SECTION 4

CLASS D PATCHES AT WB I-290

N.T.S.
(APPLIES TO PATCHING DETAIL G & I)



DIGBv2B-ent-Detail-14.dgn
USER NAME: alizadehn
PLOT SCALE: 20.0000' / 1\"/>

DESIGNED - OPS	REVISED - 5/27/2014
DRAWN - NSA	REVISED -
CHECKED - DBM	REVISED -
DATE - 04/28/14	REVISED -

STATE OF ILLINOIS
DEPARTMENT OF TRANSPORTATION

ROADWAY DETAILS - ROADWAY PATCHING

SCALE: N.T.S. SHEET 2 OF 2 SHEETS STA. TO STA.

F.A.I. RTE.	SECTION	COUNTY	TOTAL SHEETS	SHEET NO.
90/94/290	2013-010R	COOK	747	6445
CONTRACT NO. 60W2B			ILLINOIS FED. AID PROJECT	