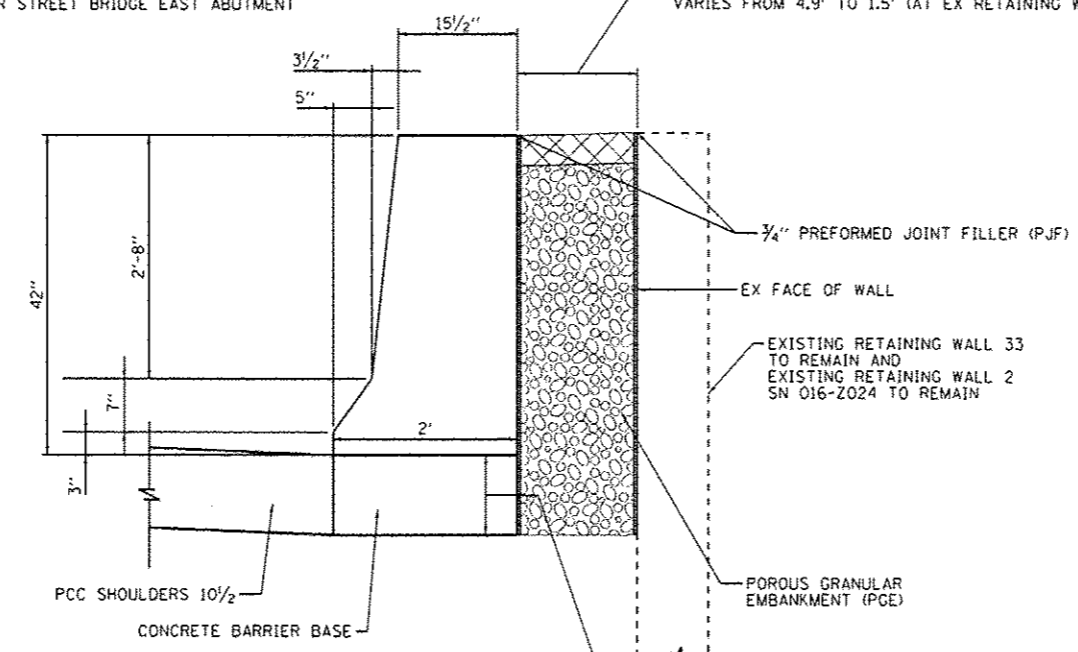


• SEE SHEET 644E FOR ROADWAY DETAIL - CONCRETE BARRIER AT PROPOSED TAYLOR STREET BRIDGE EAST ABUTMENT

CONC MEDIAN SURF SPL - 4"
VARIES FROM 2.6' TO 3.2' (AT EX RETAINING WALL 33)
VARIES FROM 4.9' TO 1.5' (AT EX RETAINING WALL 2)

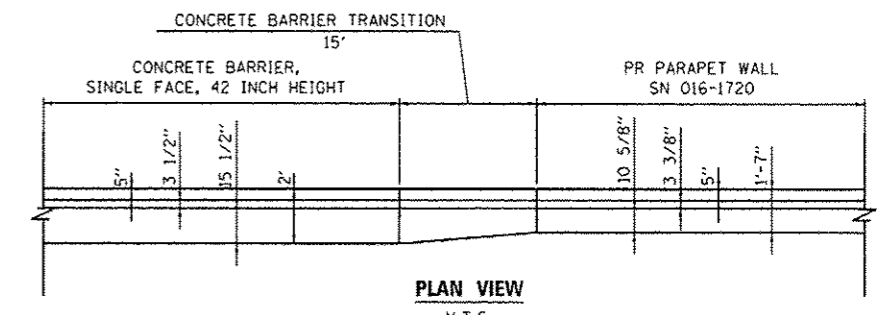
NOTES:

1. EXPANSION JOINTS SHOWN ON THIS DRAWING SHALL BE PERFORMED JOINT MATERIAL (BITUMINOUS TYPE) FILLER AND SHALL MEET AASHTO DESIGNATION M-33.
2. ALL WORK AND MATERIALS DETAILED HEREIN SHALL BE INCLUDED IN THE COST OF THE VARIOUS CONCRETE BARRIER PAY ITEMS UNLESS OTHERWISE NOTED.
3. PREFORMED JOINT FILLER SHALL BE INCLUDED IN THE COST OF OF CONCRETE BARRIER OR CONCRETE BARRIER TRANSITION.
4. JOINTS SHALL BE CONSTRUCTED AS SHOWN ON THE PLANS AND IN ACCORDANCE WITH ARTICLE 637.08 OF THE STANDARD SPECIFICATIONS
5. TWO VERTICAL EPOXY COATED, NO. 8 TIE BARS, 10" LONG, SHALL BE PLACED STAGGERED FRONT TO BACK OF THE BARRIER WALL AT 48" CENTERS ALONG THE CONCRETE BARRIER TRANSITION. TIE BARS SHALL BE INCLUDED IN THE COST OF CONCRETE BARRIER TRANSITION.
6. HORIZONTAL TIE BARS SHALL BE NO. 6 EPOXY COATED, 24" LONG, 24" C-C AND SHALL BE INCLUDED IN THE COST OF THE BARRIER BASE. HORIZONTAL TIE BARS ARE REQUIRED WHEN PAVEMENT IS PCC.
7. EXPANSION JOINTS SHALL BE CONSTRUCTED IN BARRIER WALL AT MAXIMUM JOINT SPACING OF 90 FEET AND AS SHOWN ON THE PLANS.
8. VERTICAL TIE BARS ARE REQUIRED WHEN CONCRETE BARRIER AND CONCRETE BARRIER BASE ARE NOT POURED MONOLITHICALLY.

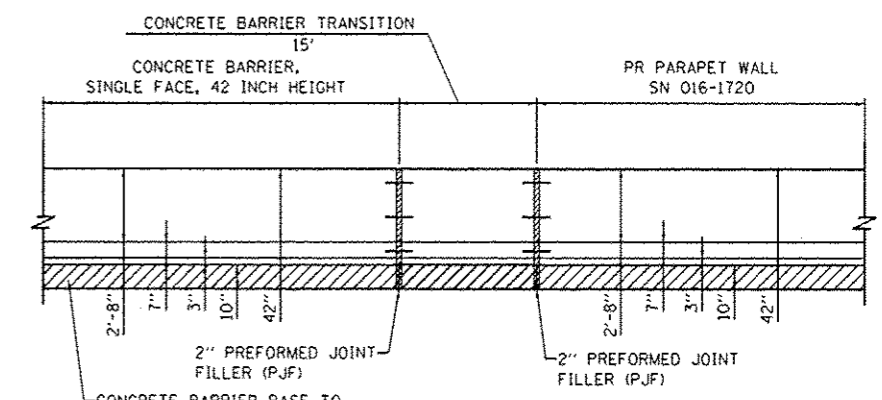


SECTION A-A

SCALE: NONE
STA 1806+78.89 TO STA 1807+85.10 (PR @ RAMP NW)
STA 1808+65.57 TO STA 1811+78.25 (PR @ RAMP NW) AND
STA 1812+53.87 TO STA 1816+41.16 (PR @ RAMP NW)



PLAN VIEW
N.T.S.



ELEVATION VIEW
N.T.S.



DESIGNED - OPS	REVISED - 5/27/2014
USER NAME - p.ansano	DRAWN - NSA
PLOT SCALE - 20,0000' / in.	CHECKED - DBM
PLOT DATE - 5/27/2014	DATE - 04/28/14

STATE OF ILLINOIS
DEPARTMENT OF TRANSPORTATION

ROADWAY DETAILS - CONCRETE BARRIER AT EX RETAINING WALL 33 AND EX RETAINING WALL 2 (SN 016-2024)
SCALE: N.T.S. SHEET 1 OF 1 SHEETS STA. TO STA.

F.A.L. RTE. 90/94/290	SECTION 2013-010R	COUNTY COOK	TOTAL SHEETS 747	SHEET NO. 644F
ILLINOIS FED. AID PROJECT			CONTRACT NO. 60W28	