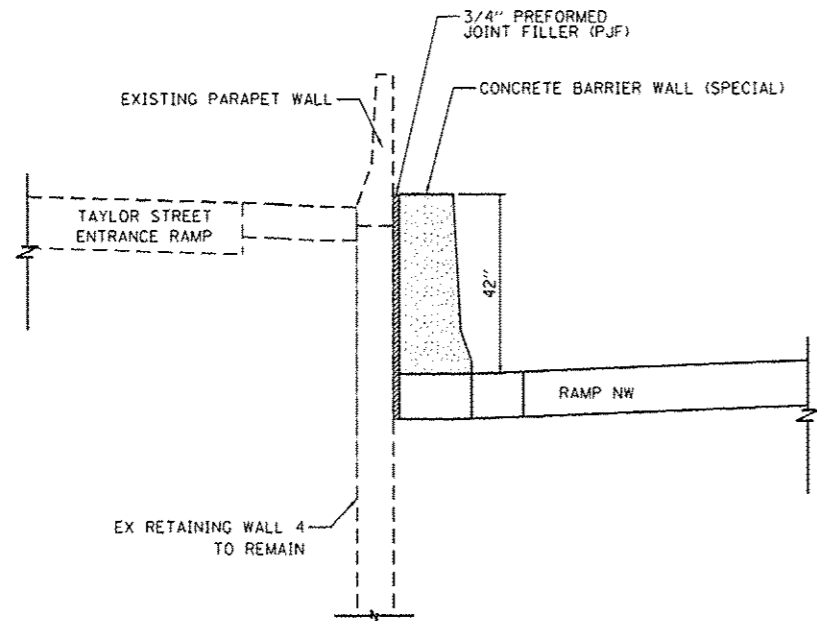


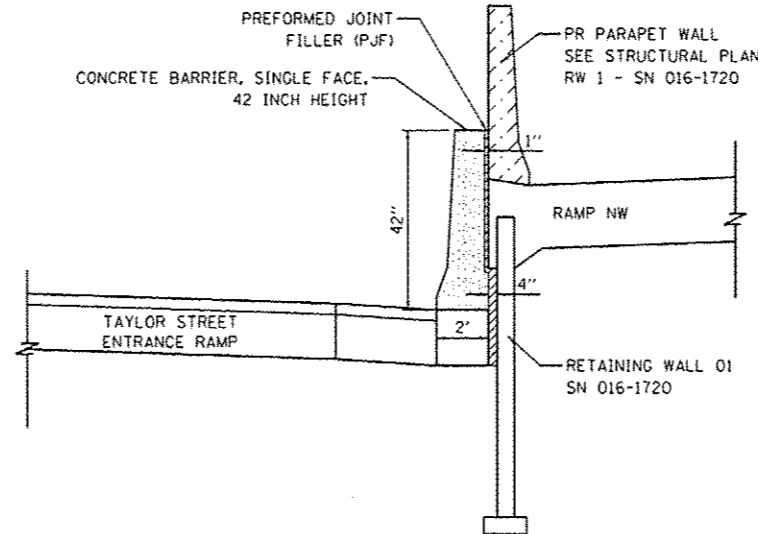
SECTION B-B
SCALE: NONE

CONCRETE BARRIER, DOUBLE FACE, 42 INCH HEIGHT								
STA RAMP NW	W		X		Y		PGL ELEV.	TOP OF WALL
	ELEV.	O/S	ELEV.	O/S	ELEV.	O/S		
1813+40.24	580.31	-16.50	580.82	-13.00	580.86	-11.00	581.08	584.32
1813+50.00	580.36	-16.54	581.26	-13.00	581.30	-11.00	581.52	584.76
1813+60.00	580.03	-16.58	581.66	-13.00	581.70	-11.00	581.92	585.16

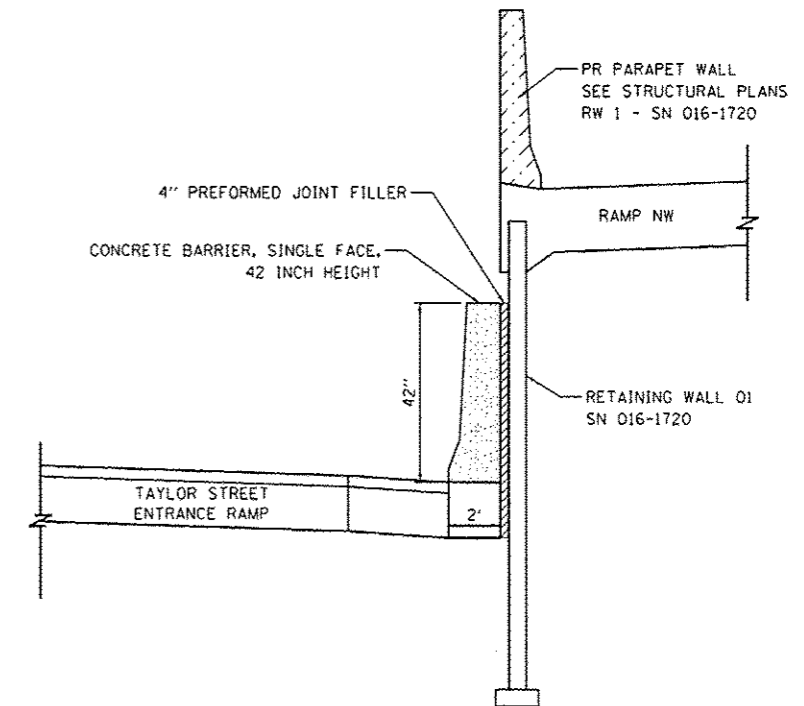
• EXISTING ELEVATIONS TO BE VERIFIED IN THE FIELD



SECTION A-A
SCALE: NONE



SECTION C-C
SCALE: NONE



SECTION D-D
SCALE: NONE



DIB0428-ent-Detail-04A.dgn
 USER NAME: Alizadeh
 PLOT SCALE: 20.0000' / 1" / in.
 PLOT DATE: 5/27/2014

DESIGNED - OPS
 DRAWN - NSA
 CHECKED - DBM
 DATE - 04/28/14

REVISED - 5/27/2014
 REVISED -
 REVISED -
 REVISED -

STATE OF ILLINOIS
 DEPARTMENT OF TRANSPORTATION

ROADWAY DETAILS - CONCRETE BARRIER
 AT TAYLOR STREET ENTRANCE RAMP

SCALE: N.T.S. SHEET 1 OF 2 SHEETS STA. TO STA.

F.A.I. RTE.	SECTION	COUNTY	TOTAL SHEETS	SHEET NO.
90/94/290	2013-010R	COOK	747	644H
CONTRACT NO. 60W28				
[ILLINOIS] FED. AID PROJECT				

▲