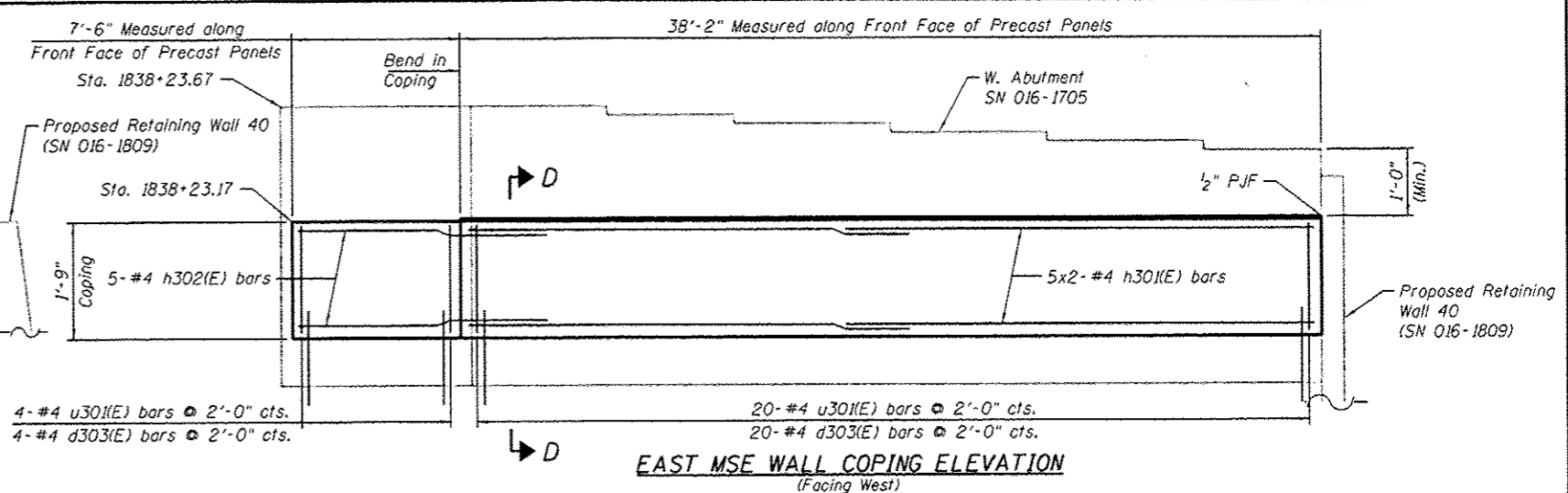
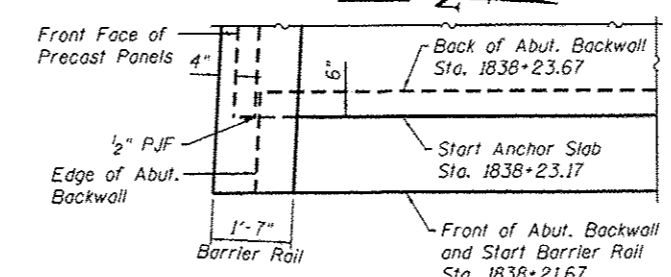


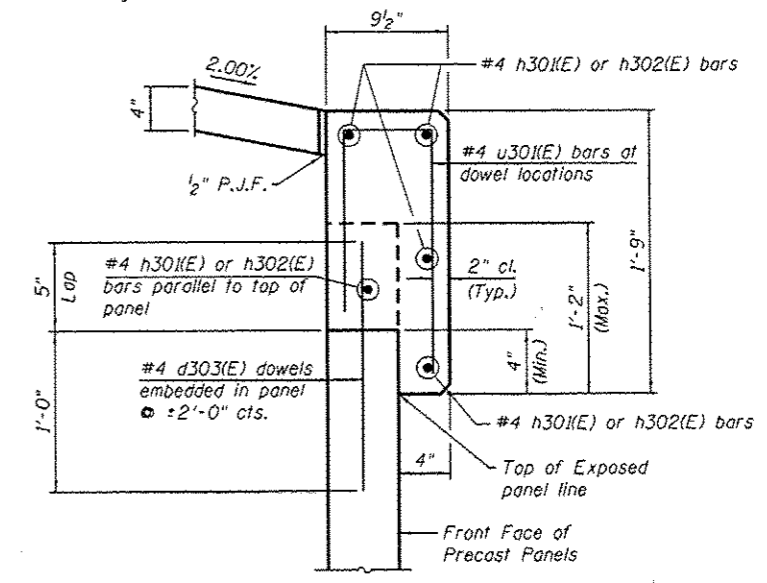
EAST MSE WALL COPING PLAN



EAST MSE WALL COPING ELEVATION (Facing West)



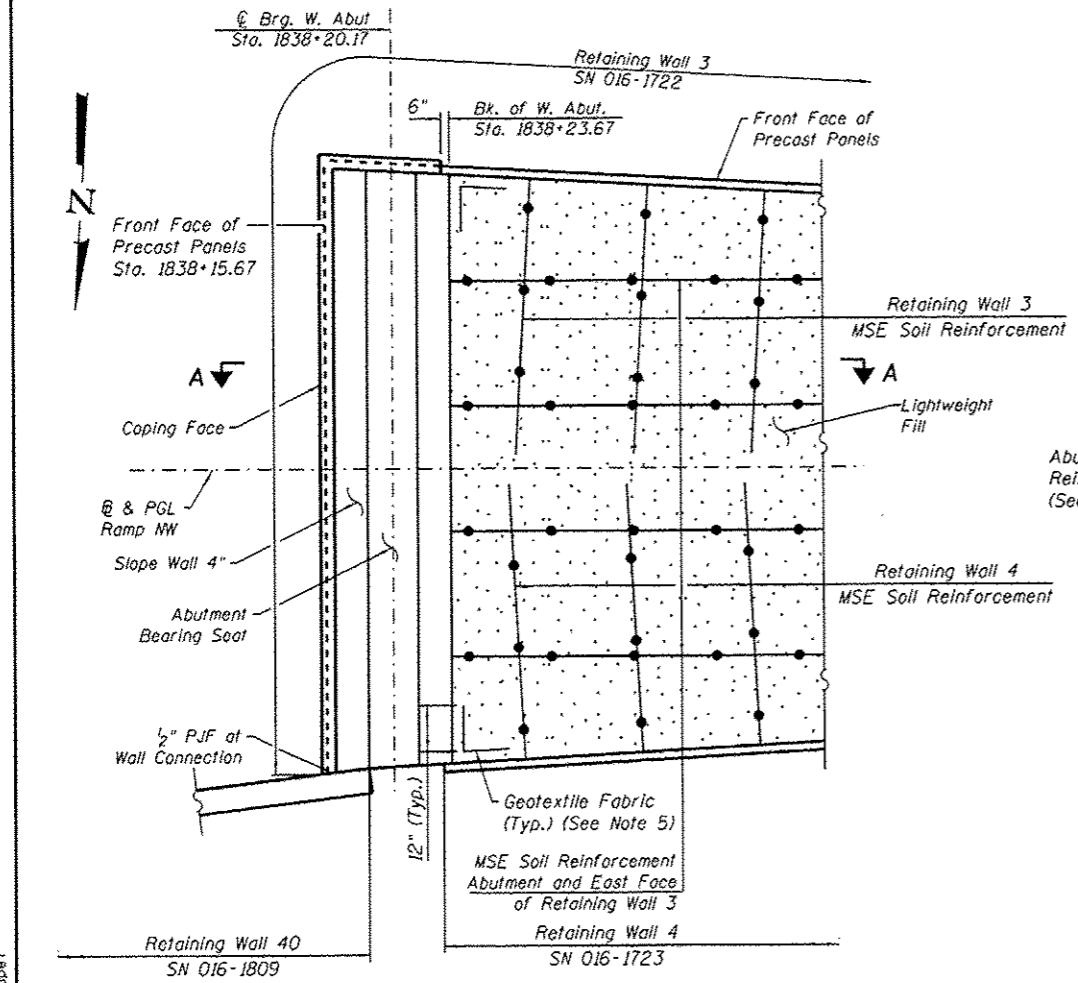
DETAIL I



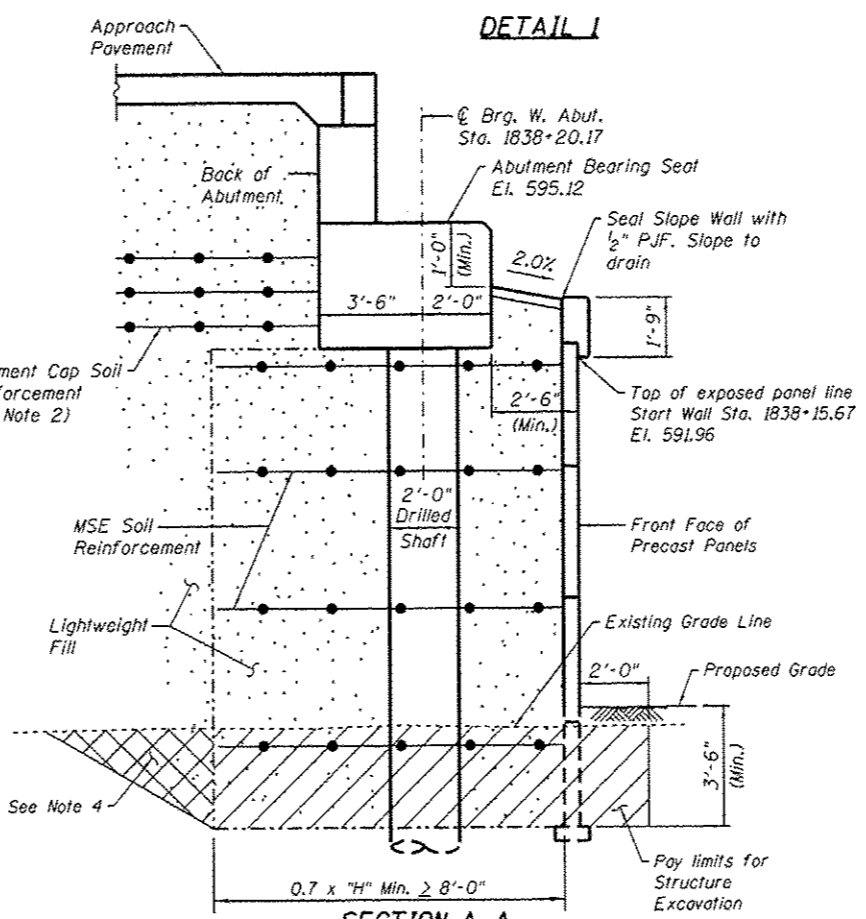
MSE COPING SECTION D-D

NOTES:

- Anchor Slab ends at Sta. 1838+23.17 where it overlaps the abutment backwall by 6". Barrier Rail ends at Sta. 1838+21.67 at front of abutment backwall. See Detail I.
- The MSE wall supplier shall design the abutment cap soil reinforcement to resist a horizontal force of 2.7 k/ft of abutment. Cost included in cost of Mechanically Stabilized Earth Retaining Wall, Special.
- See West Abutment sheets for abutment details.
- If contractor elects to overexcavate beyond limits of Structure Excavation, this area shall be backfilled with Lightweight Fill. Overexcavation, additional Lightweight Fill or Aggregate Column Ground Improvement placed in the overexcavation area will not be measured for payment.
- Cost of Geotextile Fabric is included in cost of Mechanically Stabilized Earth Retaining Wall, Special.
- 1/2" P.J.F. is installed by Standard 1051.09. Cost is included in Slope Wall 4".
- Bars noted thus, 7x3-#4 indicates 7 lines of #4 bars with 3 lengths per line.



ABUTMENT-RETAINING WALLS CONNECTION



SECTION A-A (Facing North)

0161722-60W28-505-Parapet



USER NAME	dabazlcd	DESIGNED	DEV	REVISED	6/24/2014 DD
CHECKED	ATB	REVISION			
PLT SCALE	N.T.S.	DRAWN	BRD	REVISION	
PLT DATE	4/28/2014	CHECKED	EJO	REVISION	

STATE OF ILLINOIS
DEPARTMENT OF TRANSPORTATION

MSE WRAP AROUND DETAILS
STRUCTURE NO. 016-1722

SHEET NO. RW3-05 OF RW3-12 SHEETS

F.A.I. RTE.	SECTION	COUNTY	TOTAL SHEETS	SHEET NO.
90/94/290	2013-010R	COOK	747	549
CONTRACT NO.			60W28	
ILLINOIS FED. AID PROJECT NUMBER				