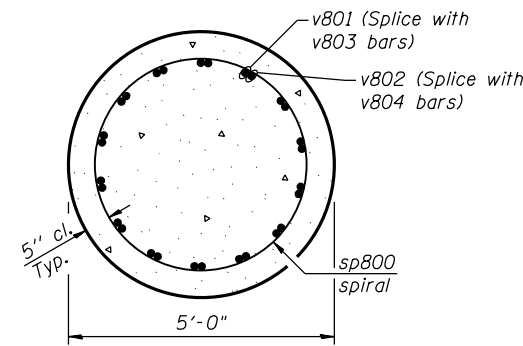
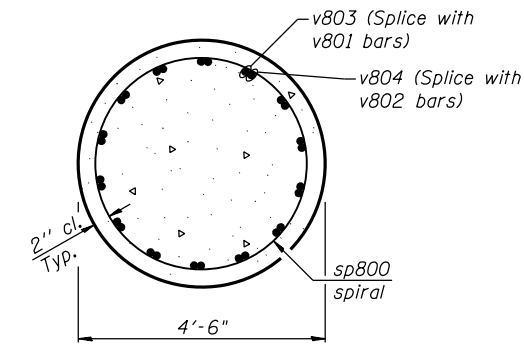


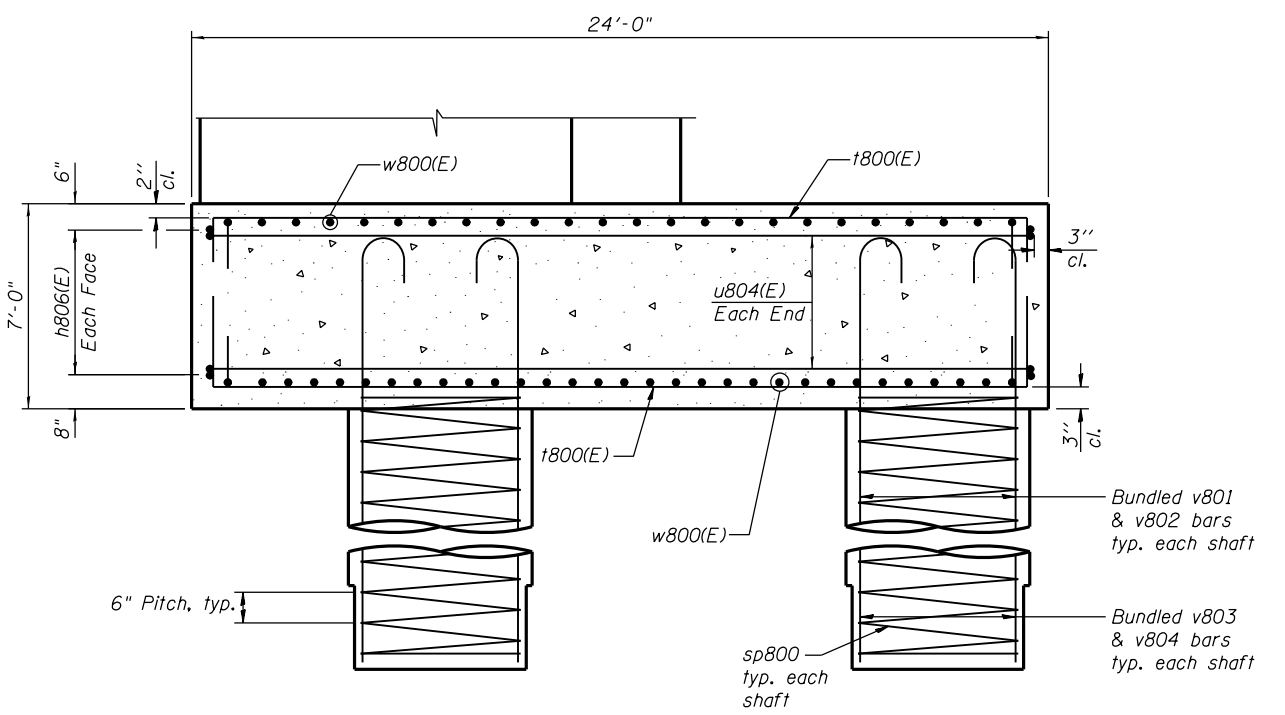
SECTION G-G



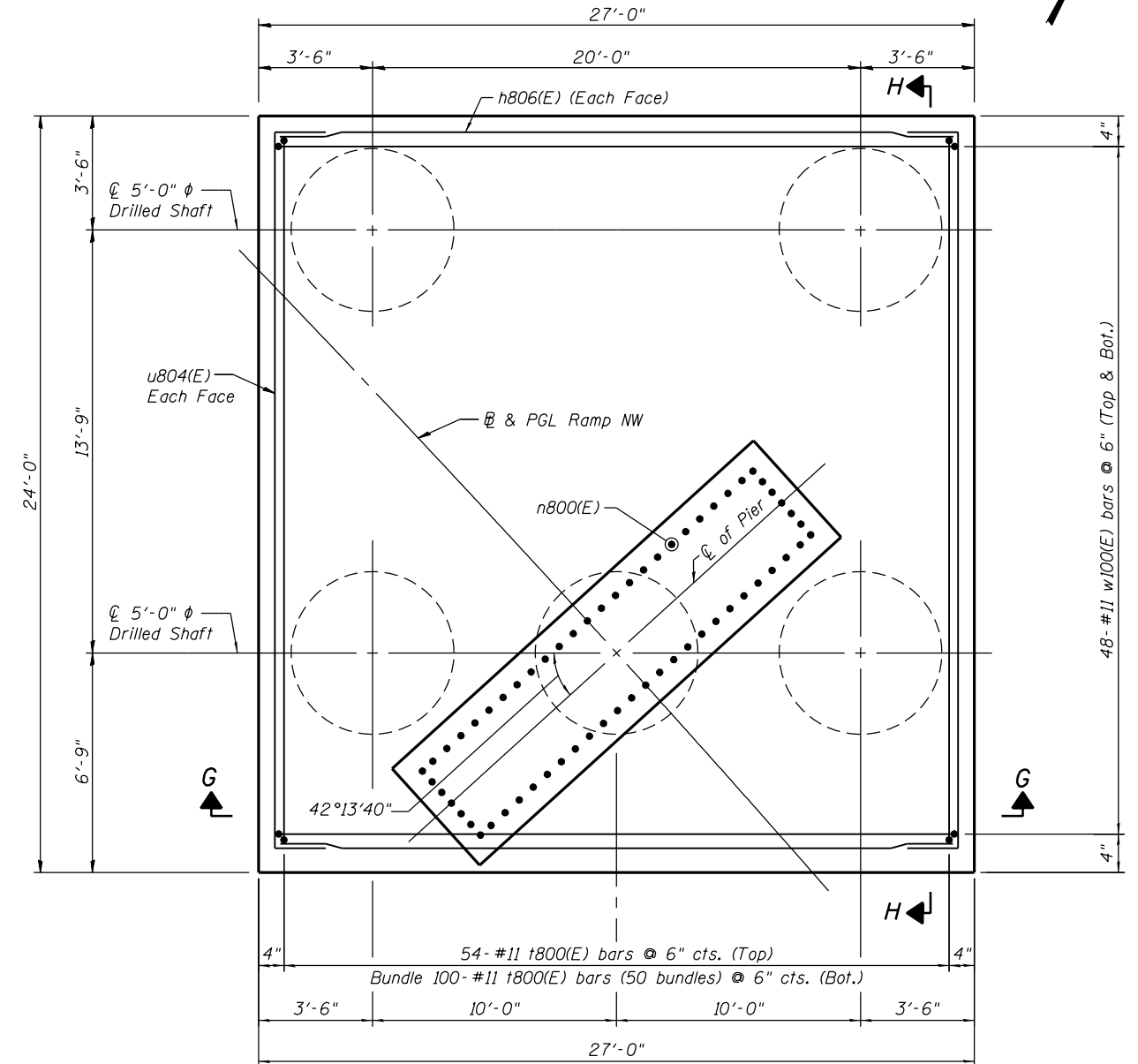
SECTION C-C



SECTION D-D



SECTION H-H



FOOTING PLAN

NOTES:
1. Work this sheet with sheet S-132 & S-133.

0161705-60W28-S134-Pier.dgn



USER NAME = floresg	DESIGNED - RD	REVISED
CHECKED - ATB	REVISIONS	
PLOT SCALE = N.T.S.	DRAWN - BM	REVISIONS
PLOT DATE = 5/7/2014	CHECKED - RD	REVISIONS

**STATE OF ILLINOIS
DEPARTMENT OF TRANSPORTATION**

**PIER 8 DETAILS II
STRUCTURE NO. 016-1705**

SHEET NO. S-134 OF S-165 SHEETS

F.A.I. RTE. 90/94/290	SECTION 2013-010R	COUNTY COOK	TOTAL SHEETS 747	SHEET NO. 449
CONTRACT NO. 60W28			ILLINOIS FED. AID PROJECT	