

069

07-12-2019 LETTING ITEM 069

STATE OF ILLINOIS
DEPARTMENT OF TRANSPORTATION

F.A. RYE	SECTION	COUNTY	TOTAL SHEETS	SHEET NO.
	D9 Resurface 2020-1	VARIOUS	24	1

**FAP 776/FAS 902
Hamilton, Saline, Gallatin

D-89-030-19



FOR INDEX OF SHEETS, SEE SHEET NO. 3
FOR SUMMARY OF QUANTITIES, SEE SHEET NO. 6

PROPOSED HIGHWAY PLANS

FAP/FAS ROUTE 776/902 (IL 142)
SECTION D9 RESURFACE 2020-1
PROJECT STP-AQC2(446)
RESURFACING
VARIOUS COUNTY

C-99-051-19

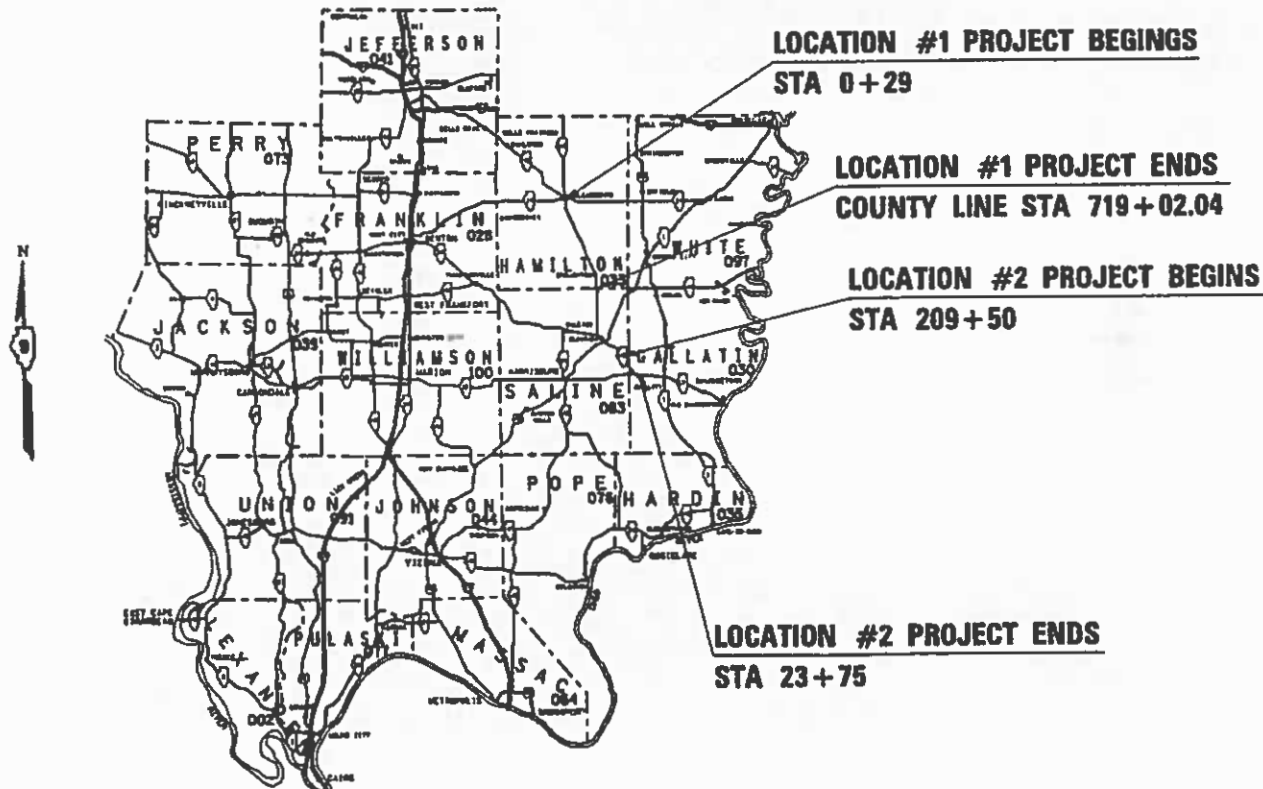
TRAFFIC DATA

SEE SHEET 3

TOWNSHIPS

LOCATION #1
McLEANSBORO
TWIGG
SOUTH TWIGG

LOCATION #2
ELDORADO
COTTAGE
EQUALITY



COORDINATE SYSTEM :
POSTED SPEED : VARIES MPH

J.U.L.I.E.
JOINT UTILITY LOCATION INFORMATION FOR EXCAVATION
1-800-892-0123
OR 811

PROJECT ENGINEER VALERIE ROLLA-(618) 351-5214
PROJECT DESIGNER ELISE KNOP-(618) 351-5212

CONTRACT NO. 78723

LOCATION #1
GROSS LENGTH = 71987 FT. = 13.6 MILES, NET LENGTH = 71125 FT. = 13.5 MILES
LOCATION #2
GROSS LENGTH = 18073 FT. = 3.4 MILES, NET LENGTH = 17793 FT. = 3.4 MILES

STATE OF ILLINOIS
DEPARTMENT OF TRANSPORTATION

SUBMITTED May 30 2019
Ruth Roberts
REGION FIVE ENGINEER

June 14 2019
[Signature]
ENGINEER OF DESIGN AND ENVIRONMENT

June 14 2019
Paul P. [Signature]
DIRECTOR OF HIGHWAYS PROJECT IMPLEMENTATION

PRINTED BY THE AUTHORITY
OF THE STATE OF ILLINOIS

INDEX OF SHEETS

TRAFFIC DATA IL 142 HAMILTON COUNTY LOCATION #1

IL-142: FAP 776 IL 142 STA 11.59-12.56 FAP 855 IL 14 TO TR 239 E BLACKBERRY RD			
	2017	2020	2040
PV =	3,770	3,880	4,735
SU =	140	145	175
MU =	190	195	240
ADT =	4,100	4,220	5,150
IL-142: FAP 776 IL 142 STA 12.56-14.22 TR 239 E BLACKBERRY RD TO TR 273 1000N			
	2017	2020	2040
PV =	2,425	2,495	3,045
SU =	205	210	260
MU =	170	175	215
ADT =	2,800	2,880	3,520
IL-142: FAP 776 IL 142 STA 14.22-18.66 TR 273 1000N TO TR 369 600 N			
	2017	2020	2040
PV =	2,180	2,250	2,740
SU =	140	145	175
MU =	180	185	225
ADT =	2,500	2,580	3,140
IL-142: FAP 776 IL 142 STA 18.66-19.74 TR 369 600 N TO FAS 883 NORRIS CITY RD			
	2017	2020	2040
PV =	1,890	1,950	2,380
SU =	140	145	175
MU =	10	175	215
ADT =	2,200	2,270	2,770
IL-142: FAP 776 IL 142 STA 19.74-25.21 FAS 883 NORRIS CITY RD TO HAMILTON SALINE CO LN			
	2017	2020	2040
PV =	1,410	1,450	1,775
SU =	140	145	175
MU =	150	155	190
ADT =	1,700	1,750	2,140

TRAFFIC DATA IL 142 SALINE COUNTY LOCATION #2

IL-142: FAP 776 IL 142 STA 9.76-11.26 FAS 893 RIDGEWAY RD TO TR 350			
	2017	2020	2040
PV =	1,525	1,570	1,915
SU =	275	285	345
MU =	150	155	190
ADT =	1,950	2,010	2,450
IL-142: FAP 776 IL 142 STA 11.26-12.23 TR 350 TO SALINE GALLATIN CO LN			
	2017	2020	2040
PV =	1,680	1,735	2,110
SU =	120	125	150
MU =	700	720	880
ADT =	2,500	2,580	3,140
GALLATIN COUNTY			
IL-142: FAP 776 IL 142 STA 0.00-0.50 SALINE GALLATIN CO LN TO TR 117			
	2017	2020	2040
PV =	1,680	1,735	2,110
SU =	120	125	150
MU =	700	720	880
ADT =	2,500	2,580	3,140
IL-142: FAP 776 IL 142 STA 0.50-1.23 TR 117 TO FAP 331 IL 13			
	2017	2020	2040
PV =	1,690	1,750	2,120
SU =	60	60	75
MU =	400	410	505
ADT =	2,150	2,220	2,700
IL-142: FAP 776 IL 142 STA 0.00-0.99 FAP 331 IL 13 TO FAS 902 WALNUT ST IN EQUALITY			
	2017	2020	2040
PV =	465	485	585
SU =	30	30	40
MU =	5	5	5
ADT =	500	520	630

SHEET NO	DESCRIPTION
1	COVER SHEET
2	SIGNATURE SHEET
3	TRAFFIC DATA, INDEX OF SHEETS
4	GENERAL NOTES, STATION EQUATIONS, HIGHWAY STANDARDS, MTD TABLE
5	MIX DESIGN
6-8	SUMMARY OF QUANTITIES
9-14	TYPICAL SECTIONS
15-22	SCHEDULES
23-24	DETAILS

MODEL: Default
 FILE: h:\mhc\pub\haronom.dwg
 PROJECT: 78723\CADD\Drawings\DOT - Office\Drawings\9\Projects\78723\CADD\Drawings\DOT - Office\Drawings\9\Projects\78723-Sheets.dwg

USER NAME = knopen	DESIGNED -	REVISED -
	DRAWN -	REVISED -
PLOT SCALE = 100.0000' / in.	CHECKED -	REVISED -
PLOT DATE = 5/31/2019	DATE -	REVISED -

STATE OF ILLINOIS
DEPARTMENT OF TRANSPORTATION

INDEX OF SHEETS, TRAFFIC DATA

SCALE: SHEET OF SHEETS STA. TO STA.

F.A. RTE.	SECTION	COUNTY	TOTAL SHEETS	SHEET NO.
*	D9 Resurface 2020-1	VARIOUS	24	3
CONTRACT NO. 78723				

**FAP 776/FAS 902

Hamilton, Saline, Gallatin

GENERAL NOTES

FACTORS USED FOR ESTIMATING PLAN QUANTITIES ARE AS FOLLOWS AND SHALL NOT BE USED FOR THE BASIS OF FINAL QUANTITIES:

ALL HOT MIX ASPHALT 2.016 TONS/CU. YD.
 ALL AGGREGATE 2.05 TONS/CU. YD.

THE QUANTITY OF SHORT TERM PAVEMENT MARKING SHOWN IN THE PLANS IS BASED ON ONE APPLICATION EACH FOR THE HMA SURFACE REMOVAL, BINDER COURSE, AND SURFACE COURSE

AT ALL LOCATIONS WHERE THE PROPOSED HOT MIX ASPHALT OR CONCRETE PAVEMENT JOINS AN EXISTING HOT MIX ASPHALT OR CONCRETE PAVEMENT, A FULL DEPTH SAWED JOINT SHALL BE CONSTRUCTED. THE COST OF THIS JOINT WILL BE INCLUDED IN THE COST OF THE TYPE OF PAVEMENT BEING CONSTRUCTED.

THE CONTRACTOR SHALL STAMP STATIONING IN THE PROPOSED HOT MIX ASPHALT SURFACE AT 300 FT INTERVALS ON ALTERNATING SIDES OF THE PAVEMENT AND AS DIRECTED BY THE ENGINEER. THE STATION SYMBOL STAMPS USED SHALL BE FURNISHED BY THE CONTRACTOR. THEY SHALL BE 5 1/2 IN. TALL, OF A DESIGN APPROVED BY THE ENGINEER, AND SHALL REMAIN THE PROPERTY OF THE CONTRACTOR.

HMA RESURFACING SHALL BE PLACED IN A SEQUENCE THAT WILL MINIMIZE THE TIME THE CENTERLINE EDGE IS EXPOSED TO TRAFFIC. WHEN AT THE END OF A DAY'S OPERATION THE EXPOSED CENTERLINE EDGE IS GREATER THAN 2,000 FT, THE CONTRACTOR SHALL BE REQUIRED TO PAVE IN THE ADJACENT LANE ON THE FOLLOWING WORK DAY. PRIOR TO WINTER SHUTDOWN, RESURFACING ON ADJACENT LANES IS TO BE BROUGHT UP TO THE SAME ELEVATION.

PRIOR TO PLACEMENT OF THE FINAL PAVEMENT MARKINGS THE RESIDENT ENGINEER SHALL CONTACT THE BUREAU OF OPERATIONS AND ARRANGE FOR INSPECTION AND APPROVAL OF THE PAVEMENT MARKING LAYOUT.

AFTER A LIFT OF HOT MIX ASPHALT HAS BEEN PLACED, THE LANE SHALL REMAIN CLOSED TO TRAFFIC UNTIL THE NEW MAT HAS COOLED TO 150 DEGREES FAHRENHEIT

THE CONTRACTOR SHALL COMPLETE ALL PATCHING PRIOR TO THE HOT MIX ASPHALT SURFACE REMOVAL.

COMMITMENTS: NONE

STATION EQUATIONS	
LOCATION #1	
STA 26+78.76 BK = STA 26+78.90 AH	
STA 77+09.55 BK = STA 77+32.40 AH	
STA 345+45.52 BK = STA 345+55.40 AH	
STA 371+61.40 BK = STA 371+93.40 AH	
STA 389+55.40 BK = STA 387+26.90 AH	
STA 589+51.39 BK = STA 589+62.90 AH	
STA 611+82.22 BK = STA 612+45.50 AH	
STA 693+47.10 BK = STA 693+75.00 AH	
LOCATION #2	
STA 267+00 BK = STA 267+15.40 AH	
STA 297+96.30 BK = STA 298+00 AH	
STA 324+11.1 BK = STA 1604+11.5 AH	
STA 1611+75.5 BK = STA 0+00 AH	

HIGHWAY STANDARDS

000001-07 _STANDARDSYMBOLSABBREVIATIONS&PATTERNS
 001006 _DECIMAL OF INCH&FOOT
 442201-03 _CLASSC&DPATCHES
 701001-02 _OFFRDOP-2L2W-15FTMINFROMEOP
 701006-05 _OFFRDOP-2L2W-15FTTOEOP
 701011-04 _OFFRDMOVINGOP-2L2W-DAYONLY
 701301-04 _LNCLCLOSURE2L2W-SHORTTIMEOP
 701306-04 _LNCLCLOSURE2L2W-SLOWMOVEOPDAYONLY45MPHORMORE
 701311-03 _LNCLCLOSURE2L2W-MOVINGOPDAYONLY
 701336-07 _LNCLCLOSURE2L2W-WORKAREASIN SERIES45MPHORMORE
 701901-08 _TRAF CNTRLDEVICES
 780001-05 _TYPICALPVMTMRKINGS
 781001-04 _TYPICALAPPRAISEDREFLCPVMTMRKRS

MTD CROSSING RESTRICTIONS TABLE

STRUCTURE NUMBER	EXISTING FILL HEIGHT OVER BOX CULVERT	THICKNESS OF EXISTING PAVEMENT OVER BOX CULVERT	MTD CROSSING RESTRICTIONS
	FOOT	FOOT	
033-2004	0		EMPTY
033-0016	n/a		EMPTY
033-0047	n/a		EMPTY
033-2003	2		EMPTY
033-7025	3.5		NONE
033-0050	n/a		EMPTY
033-0051	n/a		EMPTY
033-0052	n/a		EMPTY
033-0042	n/a		EMPTY
033-7024	2		NO MTD ALLOWED
033-7035	12		NONE
083-7055	4.5		NONE
083-7056	1.3		NO MTD ALLOWED

MOE:\Default\... \Projects\78723\CADD\Drawings\DOT\Office\Drawings\78723-Sheets.dwg

USER NAME = knopen	DESIGNED - _____	REVISED - _____
PLOT SCALE = 100.0000' / in.	DRAWN - _____	REVISED - _____
PLOT DATE = 6/4/2019	CHECKED - _____	REVISED - _____
	DATE - _____	REVISED - _____

STATE OF ILLINOIS
DEPARTMENT OF TRANSPORTATION

GENERAL NOTES, HIGHWAY STANDARDS
STATION EQUATIONS, & MTD TABLE

SCALE: _____ SHEET _____ OF _____ SHEETS STA. _____ TO STA. _____

F.A. RTE.	SECTION	COUNTY	TOTAL SHEETS	SHEET NO.
+	D9 Resurface 2020-1	VARIOUS	24	4
			CONTRACT NO. 78723	

HMA MIXTURE REQUIREMENTS TABLE

Locations	Hot-Mix Asphalt Surface Course (Location 1)
Mixture Use(s):	Hot-Mix Asphalt Surface Course, Mix D, N70
AB/PG:	PG64-22
ABR % (Max):	See Special Provision
Design Air Voids:	4.0 %, 70 Gyration Design
Mixture Composition: (Gradation Mixture)	IL-9.5mm
Friction Aggregate:	D Surface
Mixture Weight:	112 lbs/Sq Yd/in
Quality Management Program:	QCP
Sublot Size:	TBD

Locations	Hot-Mix Asphalt Surface Course (Location 2)
Mixture Use(s):	Hot-Mix Asphalt Surface Course, Mix C, N70
AB/PG:	PG64-22
ABR % (Max):	See Special Provision
Design Air Voids:	4.0 %, 70 Gyration Design
Mixture Composition: (Gradation Mixture)	IL-9.5
Friction Aggregate:	C Surface
Mixture Weight:	112 lbs/Sq Yd/in
Quality Management Program:	QCP
Sublot Size:	TBD

Locations	Hot-Mix Asphalt Leveling Binder (All Locations)
Mixture Use(s):	Hot-Mix Asphalt Leveling Binder, N70 Fine Graded
AB/PG:	PG64-22
ABR % (Max):	See Special Provision
Design Air Voids:	4.0 %, 70 Gyration Design
Mixture Composition: (Gradation Mixture)	IL-9.5mm Fine Graded
Friction Aggregate:	None
Mixture Weight:	112 lbs/Sq Yd/in
Quality Management Program:	QCP
Sublot Size:	TBD

Locations	Hot-Mix Asphalt Shoulders
Mixture Use(s):	Hot-Mix Asphalt Surface Course, Mix C, N30, 9.5L
AB/PG:	PG64-22
ABR % (Max):	See Special Provision
Design Air Voids:	4.0 %, 30 Gyration Design
Mixture Composition: (Gradation Mixture)	IL-9.5L
Friction Aggregate:	None
Mixture Weight:	112 lbs/Sq Yd/in
Quality Management Program:	QCQA
Sublot Size:	NA

MODEL: Default
 FILE: Model: P:\pub\haronm.dwg
 I:\links\gov\PI\DOT\Documents\DOT_Offices\DOT.ctb
 9:Projects\78723\CAAD\Bids\78723-Sheets.dgn

	USER NAME = knopen	DESIGNED -	REVISED -	STATE OF ILLINOIS DEPARTMENT OF TRANSPORTATION	MIX DESIGN	F.A.* RTE.	SECTION	COUNTY	TOTAL SHEETS	SHEET NO.
		DRAWN -	REVISED -			*	D9 Resurface 2020-1	VARIOUS	24	5
	PLOT SCALE = 100.0000' / in.	CHECKED -	REVISED -						CONTRACT NO. 78723	
	PLOT DATE = 5/31/2019	DATE -	REVISED -		SCALE:	SHEET	OF	SHEETS	STA.	TO STA.

SUMMARY OF QUANTITIES

VARIOUS COUNTIES

COUNTY:	HAMILTON CO	SALINE CO	GALLATIN CO
ROUTE:	IL 142	IL 142	IL 142
FUNDING:	80% FED / 20% STATE	80% FED / 20% STATE	80% FED / 20% STATE
LOCATION:	RURAL	RURAL	RURAL

CODE NUMBER	ITEM DESCRIPTION	UNIT	TOTAL QUANTITY	ROADWAY		
				0005	0005	0005
40600290	BITUMINOUS MATERIALS (TACK COAT)	POUND	168,609	140,119	8,462	20,028
40600637	LEVELING BINDER (MACHINE METHOD), IL-9.5FG, N70	TON	10,675	9,001	549	1,125
40600982	HOT-MIX ASPHALT SURFACE REMOVAL - BUTT JOINT	SQ YD	35	0	0	35
40600990	TEMPORARY RAMP	SQ YD	517	370	69	78
40603315	HOT-MIX ASPHALT SURFACE COURSE, MIX "C", N70	TON	3,276	0	1,063	2,213
40603340	HOT-MIX ASPHALT SURFACE COURSE, MIX "D", N70	TON	17,712	17,712	0	0
44000157	HOT-MIX ASPHALT SURFACE REMOVAL, 2"	SQ YD	11,893	0	0	11,893
44000158	HOT-MIX ASPHALT SURFACE REMOVAL, 2 1/4"	SQ YD	237,798	207,483	12,536	17,779
44200168	PAVEMENT PATCHING, TYPE II, 14 INCH	SQ YD	2,506	2,256	0	250
44200172	PAVEMENT PATCHING, TYPE III, 14 INCH	SQ YD	22	22	0	0
44200174	PAVEMENT PATCHING, TYPE IV, 14 INCH	SQ YD	1,133	1,133	0	0
44300200	STRIP REFLECTIVE CRACK CONTROL TREATMENT	FOOT	142,249	142,249	0	0

MODEL: Default
 FILE: h:\mhc\p\pub\haronom.dwg
 PROJECT: 78723\CADData\CAD\Sheets\DOT Office\Drawings\9\Projects\78723\CADData\CAD\Sheets\DOT Office\Drawings\9\Projects\78723-Sheets.dgn

USER NAME = knopen	DESIGNED -	REVISED -
	DRAWN -	REVISED -
PLOT SCALE = 100.0000' / in.	CHECKED -	REVISED -
PLOT DATE = 5/31/2019	DATE -	REVISED -

STATE OF ILLINOIS
DEPARTMENT OF TRANSPORTATION

SUMMARY OF QUANTITIES

SCALE: SHEET OF SHEETS STA. TO STA.

F.A. RTE.	SECTION	COUNTY	TOTAL SHEETS	SHEET NO.
*	D9 Resurface 2020-1	VARIOUS	24	6
			CONTRACT NO. 78723	

**FAP 776/FAS 902
 Hamilton, Saline, Gallatin

VARIOUS COUNTIES

SUMMARY OF QUANTITIES - CONT

CODE NUMBER	ITEM DESCRIPTION	UNIT	TOTAL QUANTITY	COUNTY:	HAMILTON CO	SALINE CO	GALLATIN CO
				ROUTE:	IL 142	IL 142	IL 142
				FUNDING:	80% FED / 20% STATE	80% FED / 20% STATE	80% FED / 20% STATE
LOCATION:	RURAL	RURAL	RURAL				
				ROADWAY	ROADWAY	ROADWAY	
				0005	0005	0005	
48102100	AGGREGATE WEDGE SHOULDER, TYPE B	TON	5,055		4,939	0	116
48203100	HOT-MIX ASPHALT SHOULDERS	TON	607		242	45	320
67000400	ENGINEER'S FIELD OFFICE, TYPE A	CAL MO	7		5	1	1
67100100	MOBILIZATION	L SUM	1		0.50	0.25	0.25
70100460	TRAFFIC CONTROL AND PROTECTION, STANDARD 701306	L SUM	1		0.50	0.25	0.25
70100600	TRAFFIC CONTROL AND PROTECTION, STANDARD 701336	L SUM	1		0.50	0.25	0.25
70107025	CHANGEABLE MESSAGE SIGN	CAL DA	56		28	14	14
70300100	SHORT TERM PAVEMENT MARKING	FOOT	25,482		21,337	1,344	2,801
70300150	SHORT TERM PAVEMENT MARKING REMOVAL	SQ FT	8,494		7,112	448	934
70300220	TEMPORARY PAVEMENT MARKING - LINE 4"	FOOT	217,203		175,953	10,080	31,170
* 78000200	THERMOPLASTIC PAVEMENT MARKING - LINE 4"	FOOT	217,203		175,953	10,080	31,170
* 78000650	THERMOPLASTIC PAVEMENT MARKING - LINE 24"	FOOT	20		20	0	0

* SPECIALTY ITEM

MODEL: Default
FILE NAME: p:\highway\com.dpt.illinois.gov\PIWDOT\Documents\DOT_Offices\District_9\Projects\78723\CADD\DATA\CAD\Sheets\078723_Sheets.dgn

REV. - MS

USER NAME = knopen	DESIGNED -	REVISED -	STATE OF ILLINOIS DEPARTMENT OF TRANSPORTATION	SUMMARY OF QUANTITIES				F.A. RTE.	SECTION	COUNTY	TOTAL SHEETS	SHEET NO.
DRAWN -	REVISIED -	* D9 Resurface 2020-1						VARIOUS	24	7		
PLOT SCALE = 100.0000' / in.	CHECKED -	REVISED -		SCALE: SHEET OF SHEETS STA. TO STA.				ILLINOIS FED. AID PROJECT CONTRACT NO. 78723				
PLOT DATE = 5/31/2019	DATE -	REVISED -		**FAP 776/FAS 902 Hamilton, Saline, Gallatin								

VARIOUS COUNTIES

SUMMARY OF QUANTITIES - CONT

COUNTY:	HAMILTON CO	SALINE CO	GALLATIN CO
ROUTE:	IL 142	IL 142	IL 142
FUNDING:	80% FED / 20% STATE	80% FED / 20% STATE	80% FED / 20% STATE
LOCATION:	RURAL	RURAL	RURAL
	ROADWAY	ROADWAY	ROADWAY
	0005	0005	0005

CODE NUMBER	ITEM DESCRIPTION	UNIT	TOTAL QUANTITY	HAMILTON CO	SALINE CO	GALLATIN CO
* 78100100	RAISED REFLECTIVE PAVEMENT MARKER	EACH	1,062	889	56	117
78300200	RAISED REFLECTIVE PAVEMENT MARKER REMOVAL	EACH	1,062	889	56	117
X7030005	TEMPORARY PAVEMENT MARKING REMOVAL	SQ FT	72,401	58,651	3,360	10,390
Z0033700	LONGITUDINAL JOINT SEALANT	FOOT	88,917	71,125	8,482	9,310
Z0034105	MATERIAL TRANSFER DEVICE	TON	4,950	0	1,612	3,338

* SPECIALTY ITEM

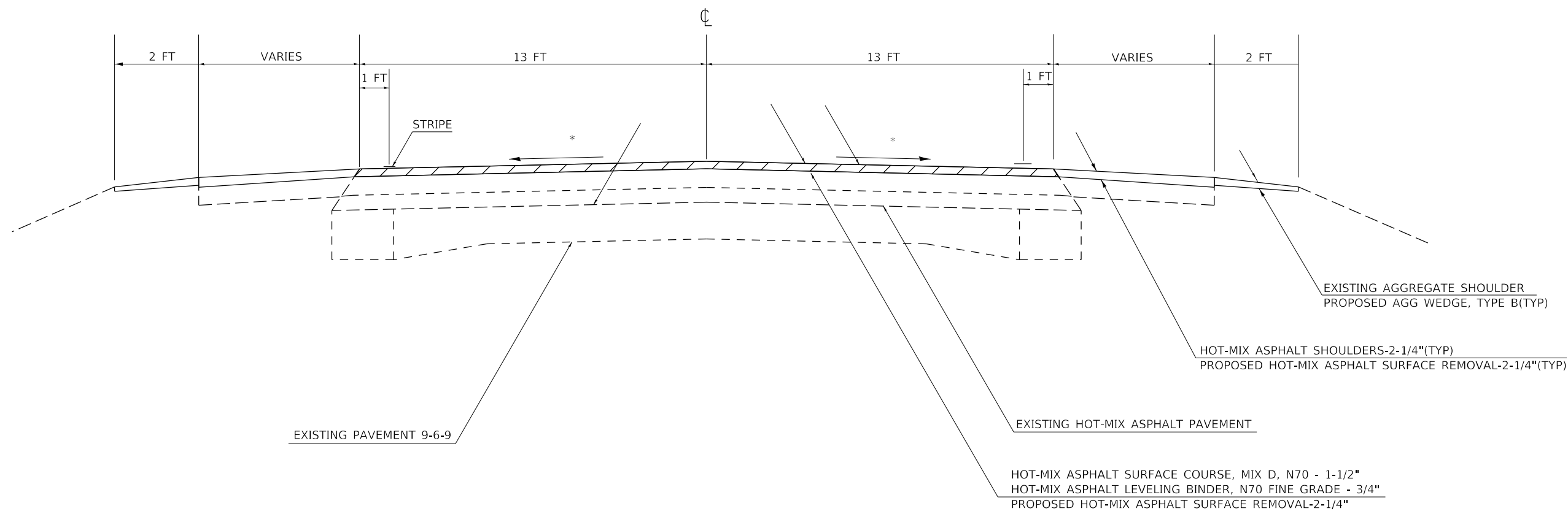
MODEL: Default
FILE NAME: p:\gis\arcgiscom.dat; illinois.gov; PWD\DOT\Documents\DOT_Offices\District_9\Projects\78723\CADD\DATA\CAD\Sheets\078723_Sheets.dgn

REV. - MS

USER NAME = knopen	DESIGNED -	REVISED -	STATE OF ILLINOIS DEPARTMENT OF TRANSPORTATION	SUMMARY OF QUANTITIES			F.A. RTE.	SECTION	COUNTY	TOTAL SHEETS	SHEET NO.			
PLOT SCALE = 100.0000' / in.	DRAWN -	REVISED -		SCALE:	SHEET	OF	SHEETS	STA.	TO STA.	*	D9 Resurface 2020-1	VARIOUS	24	8
PLOT DATE = 5/31/2019	CHECKED -	REVISED -		ILLINOIS FED. AID PROJECT										
	DATE -	REVISED -		CONTRACT NO. 78723										

**FAP 776/FAS 902 Hamilton, Saline, Gallatin

LOCATION #1



TYPICAL SECTION FOR SHOULDERS

- LT STA 0+55 TO STA 1+33
- RT STA 1+35 TO STA 1+91
- STA 83+30 TO STA 84+65
- STA 85+44 TO STA 86+69
- STA 513+50 TO STA 516+31
- STA 517+25 TO STA 520+00
- STA 536+00 TO STA 539+19
- STA 540+29 TO STA 544+95
- STA 546+05 TO STA 547+50
- STA 579+67 TO STA 580+17
- STA 580+47 TO STA 581+22

*MATCH EXISTING SLOPE

NOTE: LONGITUDINAL JOINT SEALANT SHALL BE APPLIED UNDER THE SURFACE COURSE AT THE CENTERLINE

STRIP REFLECTIVE CRACK CONTROL TREATMENT SHALL BE APPLIED AT THE EXISTING SHOULDER JOINT.

MODEL: Default
FILE: h:\m\c\p\pub\harrington.dwg
PROJECT: 78723\CADD\Drawings\DOT_Offices\Drawings\9\Projects\78723\CADD\Drawings\DOT_Offices\Drawings\9\Projects\78723-Sheets.dgn

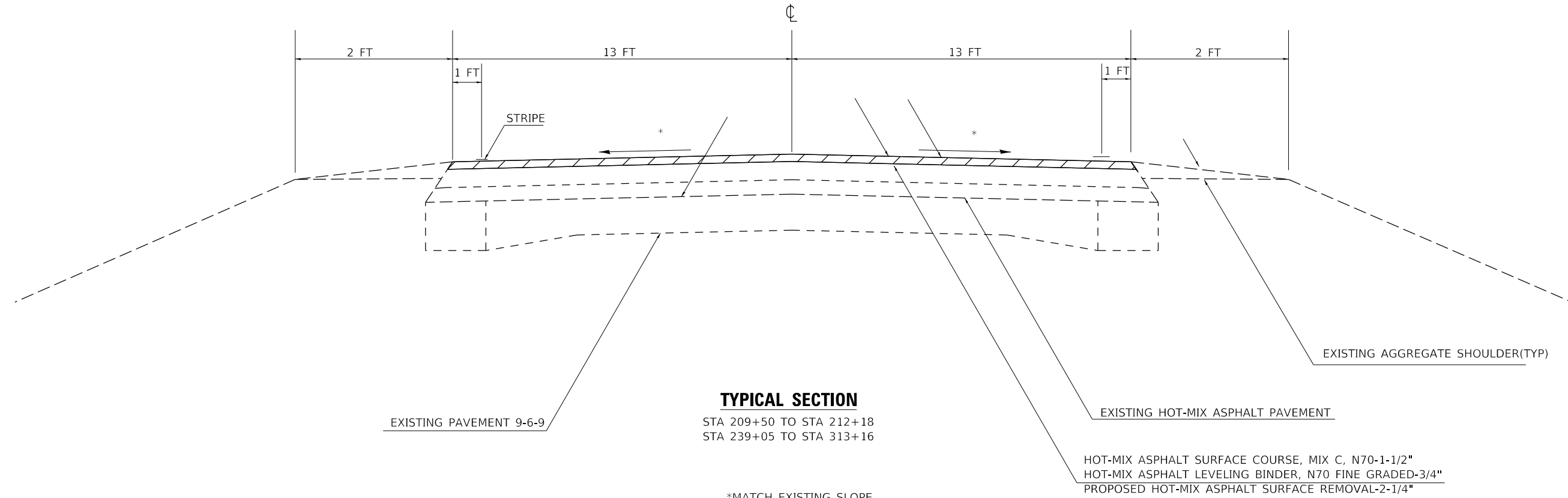
USER NAME = knopen	DESIGNED -	REVISED -
	DRAWN -	REVISED -
PLOT SCALE = 100.0000' / in.	CHECKED -	REVISED -
PLOT DATE = 5/31/2019	DATE -	REVISED -

**STATE OF ILLINOIS
DEPARTMENT OF TRANSPORTATION**

SCALE:		SHEET OF SHEETS		STA. TO STA.	
		TYPICAL			

F.A. RTE.	SECTION	COUNTY	TOTAL SHEETS	SHEET NO.
*	D9 Resurface 2020-1	VARIOUS	24	10
ILLINOIS FED. AID PROJECT			CONTRACT NO. 78723	

LOCATION #2



TYPICAL SECTION

STA 209+50 TO STA 212+18
STA 239+05 TO STA 313+16

*MATCH EXISTING SLOPE

NOTE: LONGITUDINAL JOINT SEALANT SHALL BE APPLIED UNDER THE SURFACE COURSE AT THE CENTERLINE

MODEL: Default
 FILE: \\nrcs-pub\pubroom\dat\illinois\pwr\DOT\Documents\DOT_Offices\District 9\Projects\78723\CADD\Drawings\9778723-Sheets.dgn

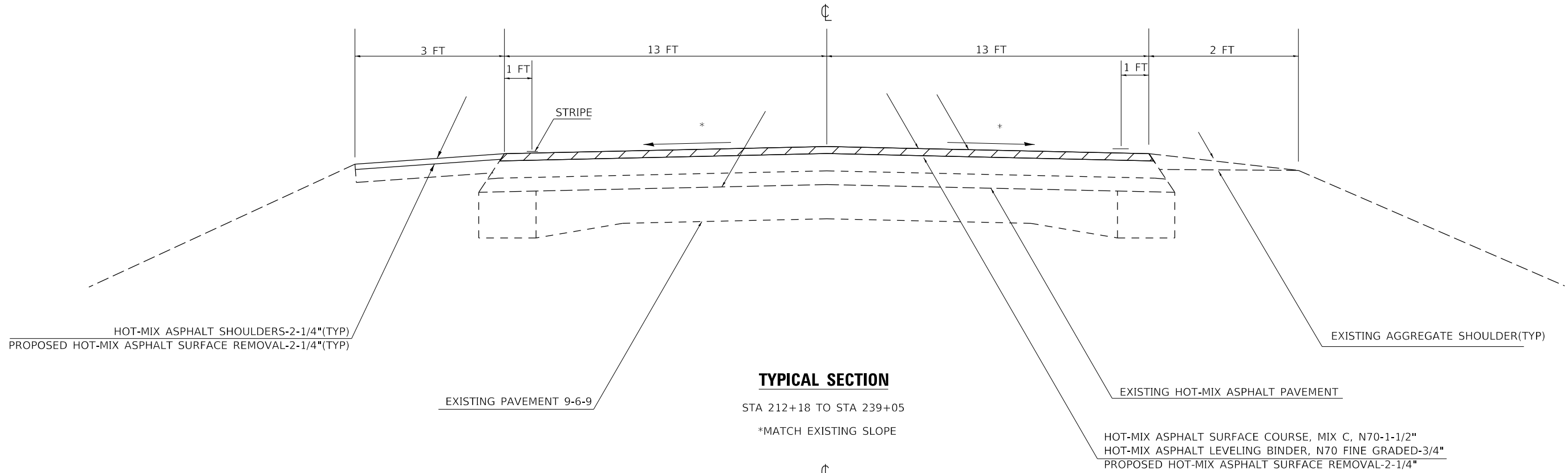
USER NAME = knopen	DESIGNED -	REVISED -
	DRAWN -	REVISED -
PLOT SCALE = 100.0000' / in.	CHECKED -	REVISED -
PLOT DATE = 5/31/2019	DATE -	REVISED -

**STATE OF ILLINOIS
DEPARTMENT OF TRANSPORTATION**

TYPICAL	
SCALE:	SHEET OF SHEETS STA. TO STA.

F.A. RTE.	SECTION	COUNTY	TOTAL SHEETS	SHEET NO.
*	D9 Resurface 2020-1	VARIOUS	24	11
CONTRACT NO. 78723				

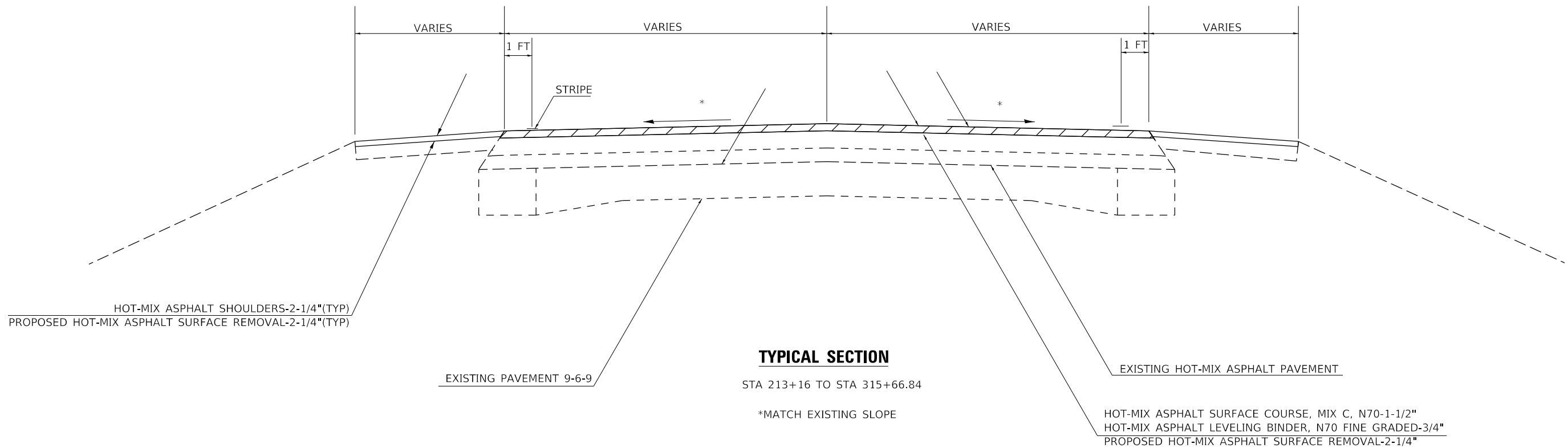
LOCATION #2



TYPICAL SECTION

STA 212+18 TO STA 239+05

*MATCH EXISTING SLOPE



TYPICAL SECTION

STA 213+16 TO STA 315+66.84

*MATCH EXISTING SLOPE

NOTE: LONGITUDINAL JOINT SEALANT SHALL BE APPLIED UNDER THE SURFACE COURSE AT THE CENTERLINE

MODEL: Default
FILE: \\harris\c:\pub\harris\rooms\dat\illinois\gov\p\dot\Documents\DOT_Offices\District_9\Projects\78723\CADData\CAD\Sheets\0978723-Sheets.dgn

USER NAME = knopen	DESIGNED -	REVISED -
	DRAWN -	REVISED -
PLOT SCALE = 100.0000' / in.	CHECKED -	REVISED -
PLOT DATE = 5/31/2019	DATE -	REVISED -

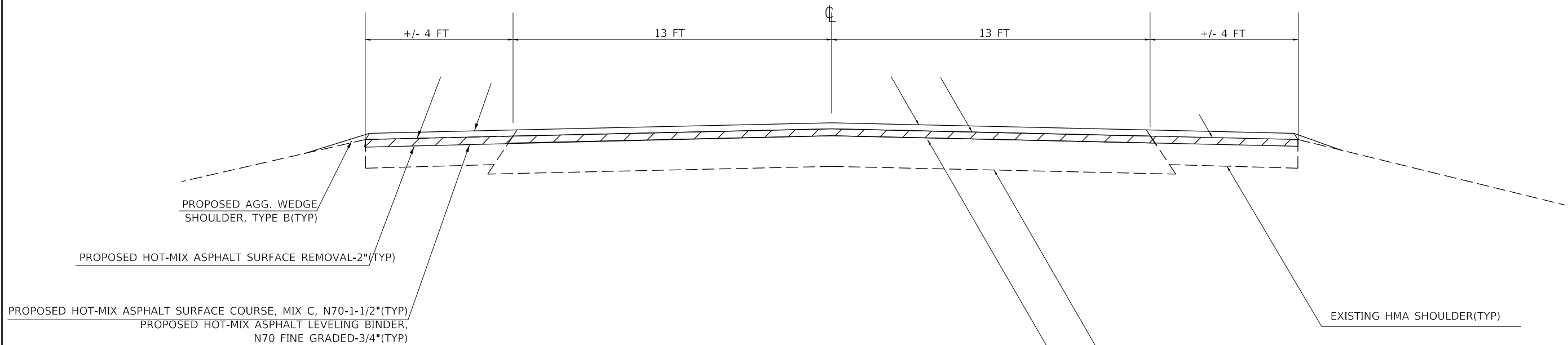
**STATE OF ILLINOIS
DEPARTMENT OF TRANSPORTATION**

TYPICAL	
SCALE:	SHEET OF SHEETS STA. TO STA.

F.A. RTE.	SECTION	COUNTY	TOTAL SHEETS	SHEET NO.
*	D9 Resurface 2020-1	VARIOUS	24	12
CONTRACT NO. 78723				

ILLINOIS FED. AID PROJECT
**FAP 776/FAS 902
Hamilton, Saline, Gallatin

LOCATION #2



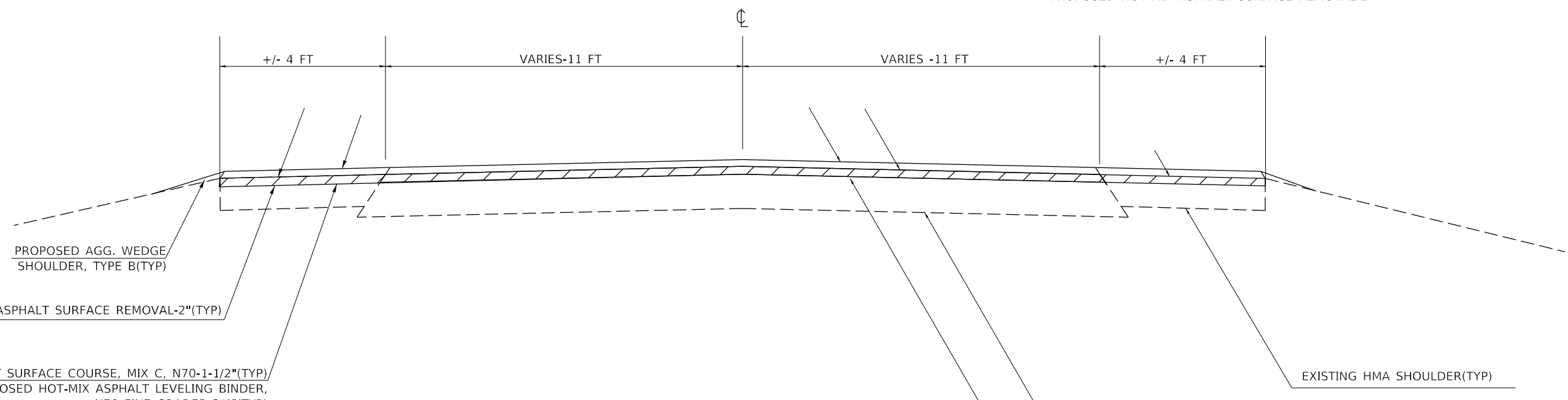
TYPICAL SECTION

STA 323+21.2 TO STA 324+11.1
 EQ STA 324+11.1 = STA 1604+11.5 AH
 STA 1604+11.5 TO STA 1604+68

*MATCH EXISTING SLOPE

PROPOSED AGG. WEDGE SHOULDER, TYPE B(TYP)
 PROPOSED HOT-MIX ASPHALT SURFACE REMOVAL-2"(TYP)
 PROPOSED HOT-MIX ASPHALT SURFACE COURSE, MIX C, N70-1-1/2"(TYP)
 PROPOSED HOT-MIX ASPHALT LEVELING BINDER, N70 FINE GRADED-3/4"(TYP)

EXISTING HMA SHOULDER(TYP)
 EXISTING HOT-MIX ASPHALT PAVEMENT
 PROPOSED HOT-MIX ASPHALT SURFACE COURSE, MIX C, N70-1-1/2"
 PROPOSED HOT-MIX ASPHALT LEVELING BINDER, N70 FINE GRADED-3/4"
 PROPOSED HOT-MIX ASPHALT SURFACE REMOVAL-2"



TYPICAL SECTION

STA 1604+68 TO STA 1611+38.5

*MATCH EXISTING SLOPE

PROPOSED AGG. WEDGE SHOULDER, TYPE B(TYP)
 PROPOSED HOT-MIX ASPHALT SURFACE REMOVAL-2"(TYP)
 PROPOSED HOT-MIX ASPHALT SURFACE COURSE, MIX C, N70-1-1/2"(TYP)
 PROPOSED HOT-MIX ASPHALT LEVELING BINDER, N70 FINE GRADED-3/4"(TYP)

EXISTING HMA SHOULDER(TYP)
 EXISTING HOT-MIX ASPHALT AND PCC PAVEMENT
 PROPOSED HOT-MIX ASPHALT SURFACE COURSE, MIX C, N70-1-1/2"
 PROPOSED HOT-MIX ASPHALT LEVELING BINDER, N70 FINE GRADED-3/4"
 PROPOSED HOT-MIX ASPHALT SURFACE REMOVAL-2"

NOTE: LONGITUDINAL JOINT SEALANT SHALL BE APPLIED UNDER THE SURFACE COURSE AT THE CENTERLINE

MODEL: Default
 FILE: Model: 20190531.ctb
 PROJECT: 78723
 SHEET: 13

USER NAME = knopen	DESIGNED -	REVISED -
	DRAWN -	REVISED -
PLOT SCALE = 100.0000 ' / in.	CHECKED -	REVISED -
PLOT DATE = 5/31/2019	DATE -	REVISED -

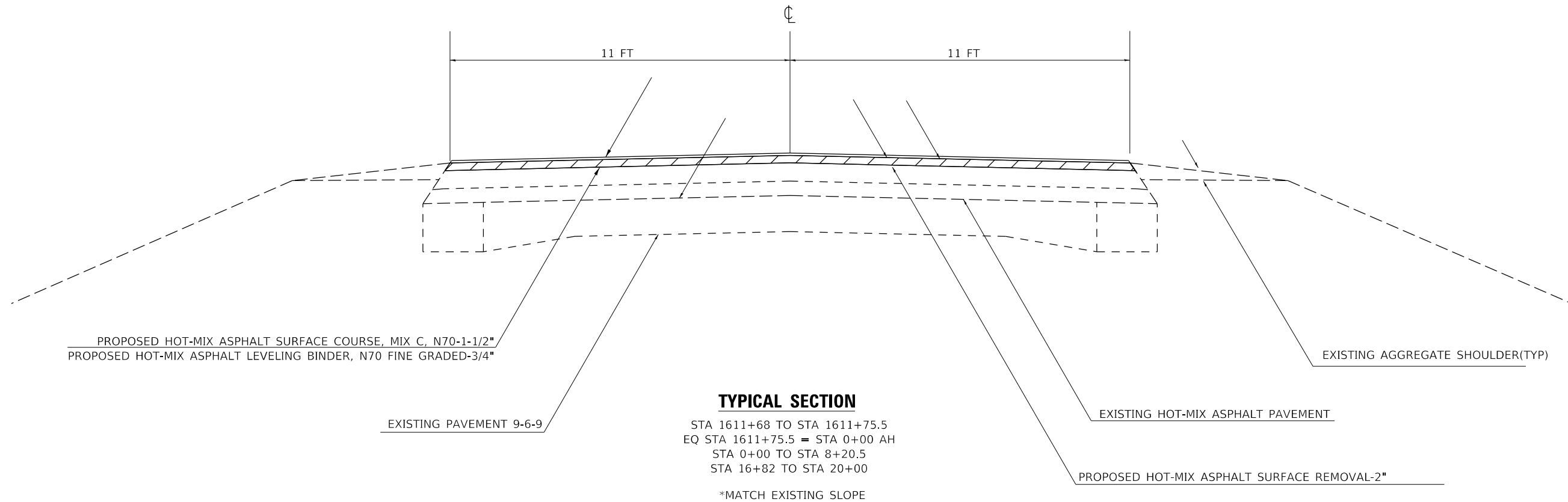
**STATE OF ILLINOIS
 DEPARTMENT OF TRANSPORTATION**

TYPICAL	
SCALE:	SHEET OF SHEETS STA. TO STA.

F.A. RTE.	SECTION	COUNTY	TOTAL SHEETS	SHEET NO.
*	D9 Resurface 2020-1	VARIOUS	24	13
			CONTRACT NO. 78723	
		ILLINOIS	FED. AID PROJECT	

**FAP 776/FAS 902 Hamilton, Saline, Gallatin

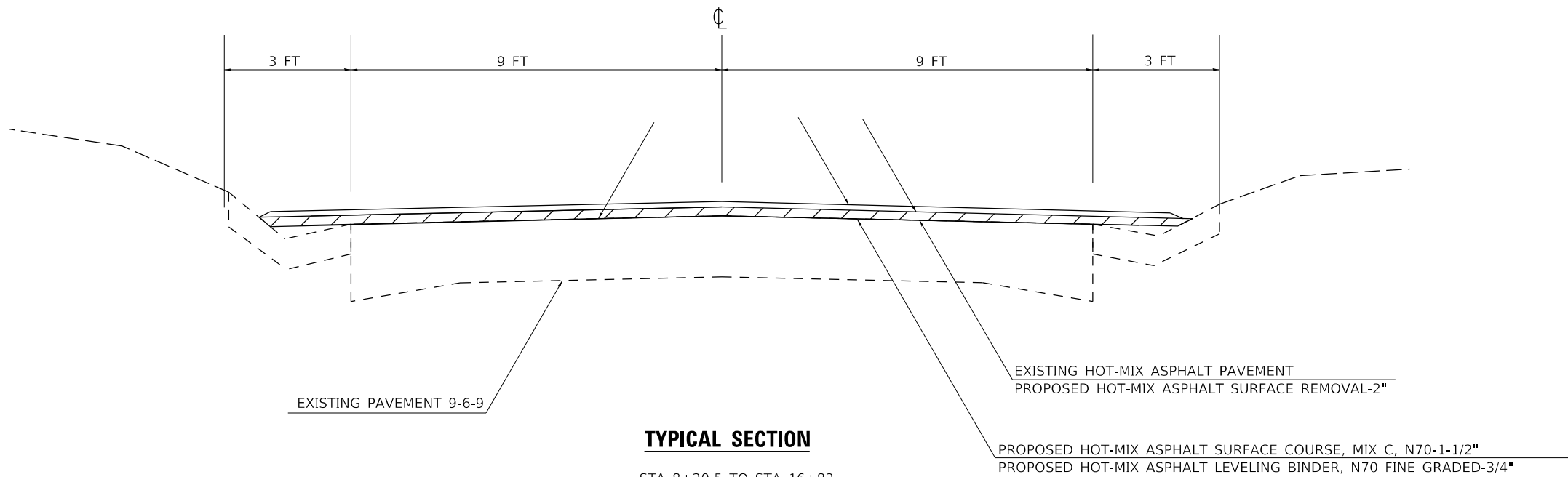
LOCATION #2



TYPICAL SECTION

STA 1611+68 TO STA 1611+75.5
 EQ STA 1611+75.5 = STA 0+00 AH
 STA 0+00 TO STA 8+20.5
 STA 16+82 TO STA 20+00

*MATCH EXISTING SLOPE



TYPICAL SECTION

STA 8+20.5 TO STA 16+82

*MATCH EXISTING SLOPE

NOTE: LONGITUDINAL JOINT SEALANT SHALL BE APPLIED UNDER THE SURFACE COURSE AT THE CENTERLINE

MODEL: Default
 FILE: \\harris\p04\pub\harris\p04\illinois.gov\RWIDOT\Documents\DOT_Offices\District_9\Projects\78723\CADData\CAD\Sheets\0978723-Sheets.dgn

USER NAME = knopen	DESIGNED -	REVISED -
	DRAWN -	REVISED -
PLOT SCALE = 100.0000' / in.	CHECKED -	REVISED -
PLOT DATE = 5/31/2019	DATE -	REVISED -

**STATE OF ILLINOIS
 DEPARTMENT OF TRANSPORTATION**

TYPICAL	
SCALE:	SHEET OF SHEETS STA. TO STA.

F.A. RTE.	SECTION	COUNTY	TOTAL SHEETS	SHEET NO.
*	D9 Resurface 2020-1	VARIOUS	24	14
			CONTRACT NO. 78723	
		ILLINOIS	FED. AID PROJECT	

**FAP 776/FAS 902 Hamilton, Saline, Gallatin

LOCATION #1				LENGTH (INFO ONLY)	EXIST. PAVEMENT WIDTH	TEMP. RAMPS	HMA SURFACE REMOVAL - 2 1/4"	LEVELING BINDER 3/4"	HMA SURFACE COURSE MIX D 1/2"	BIT. MAT'LS	LONG. JOINT SEALANT	STRIP REFLECTIVE CRACK CONTROL	AGG WEDGE SHLD TYPE B
STATION TO STATION													
FAP 776 (IL 142)				FEET	FEET	SQ YD	SQ YD	TON	TON	POUND	FOOT	FOOT	TON
	0+29.00	TO	6+72.00	643	26	46	2032	91	180	1439	643	1286	45
GAP SN 033-2004 6+72 TO 6+98													
	6+98.00	TO	26+78.76	1981	26	23	5722	257	506	3862	1981	3962	138
STA 26+78.76 BK = STA 26+78.90 AH													
	26+78.90	TO	77+09.55	5031	26		14533	635	1250	9810	5031	10061	349
STA 77+09.55 BK = STA 77+32.40 AH													
	77+32.40	TO	84+65.00	733	26	23	2116	102	202	1429	733	1465	51
GAP SN 033-0016 84+65 TO 85+44													
	85+44.00	TO	107+78.00	2234	26	46	6454	288	568	4356	2234	4468	155
GAP SN 033-0047 107+78 TO 109+22													
	109+22.00	TO	345+45.52	23624	26	23	68246	2940	5783	46066	23624	47247	1641
STA 345+45.52 BK = STA 345+55.40 AH													
	345+55.40	TO	371+61.40	2606	26		7528	335	659	5082	2606	5212	181
STA 371+61.40 BK = STA 371+93.40 AH													
	371+93.40	TO	389+55.80	1762	26		5091	230	453	3437	1762	3525	122
STA 389+55.40 BK = STA 387+26.90 AH													
	387+26.90	TO	516+31.00	12904	26	23	37279	1611	3170	25163	12904	25808	896
GAP SN 033-0050 515+79 TO 517+70													
	517+70.00	TO	538+16.00	2046	26	46	5911	265	522	3990	2046	4092	142
GAP SN 033-0051 538+16 TO 540+12													
	540+12.00	TO	543+55.00	343	26	46	991	54	107	669	343	686	24
GAP SN 033-0052 543+55 TO 545+51													
	545+51.00	TO	580+17.00	3466	26	46	10013	441	868	6759	3466	6932	241
GAP SN 033-0042 580+17 TO 580+47													
	580+47.00	TO	589+51.39	904	26	23	2613	124	244	1764	904	1809	63
STA 589+51.39 BK = STA 589+62.90 AH													
	589+62.90	TO	611+82.22	2219	26		6411	287	564	4328	2219	4439	154
STA 611+82.22 BK = STA 612+45.50 AH													
	612+45.50	TO	693+47.10	8102	26		23405	1016	1999	15798	8102	16203	563
STA 693+47.10 BK = STA 693+75.00 AH													
	693+75.00	TO	719+02.40	2527	26	23	7301	325	639	4928	2527	5055	176
TOTALS=						370	205,645	9,001	17,712	138,879	71,125	142,249	4,939

MODEL: Default
 FILE: \\hpc1\pub\hpc\room\dat\illinois\pwr\DOT\Documents\DOT_Offices\Illinet\9\Projects\78723\CADD\DATA\CAD\Sheet\0978723-Sheet1.dgn

USER NAME = knopen	DESIGNED -	REVISED -
	DRAWN -	REVISED -
PLOT SCALE = 100,0000 ' / in.	CHECKED -	REVISED -
PLOT DATE = 5/31/2019	DATE -	REVISED -

**STATE OF ILLINOIS
DEPARTMENT OF TRANSPORTATION**

SCHEDULE			
SCALE:	SHEET	OF	SHEETS
	STA.	TO	STA.

F.A.* RTE.	SECTION	COUNTY	TOTAL SHEETS	SHEET NO.
*	D9 Resurface 2020-1	VARIOUS	24	15
CONTRACT NO. 78723				
ILLINOIS		FED. AID PROJECT		

LOCATION #1				LENGTH (INFO ONLY)	EXIST. SHOULDER WIDTH (INFO ONLY)	HMA SURFACE REMOVAL - 2 1/4"	HMA SHOULDERS 2 1/4"	BIT. MAT'LS
STATION TO STATION								
FAP 776 (IL 142)				FEET	FEET	SQ YD	TON	POUND
LT	0+55.00	TO	1+33.00	78	11.5	100	13	67
RT	1+35.00	TO	1+91.00	56	12	75	10	50
LT/RT	83+30.00	TO	84+65.00	135	4	120	16	81
LT/RT	85+44.00	TO	86+69.00	125	4	111	15	75
LT/RT	513+50.00	TO	516+31.00	281	4	250	33	169
LT/RT	517+25.00	TO	520+00.00	275	4	244	32	165
LT/RT	536+00.00	TO	539+19.00	319	4	284	37	191
LT/RT	540+29.00	TO	544+95.00	466	4	414	55	280
LT/RT	546+05.00	TO	547+50.00	145	4	129	17	87
LT/RT	579+67.00	TO	580+17.00	50	4	44	6	30
LT/RT	580+47.00	TO	581+22.00	75	4	67	9	45
TOTAL =						1837	242	1240

MODEL: Default
 FILE: hmlrte_pavplamroom.dwg
 I:\links\gov\PI\DOT\Documents\DOT_Offices\District_9\Projects\78723\CAAD\BataCAD\hmlrte\978723-Sheets.dgn

USER NAME = knopen	DESIGNED -	REVISED -
	DRAWN -	REVISED -
PLOT SCALE = 100.0000' / in.	CHECKED -	REVISED -
PLOT DATE = 5/31/2019	DATE -	REVISED -

**STATE OF ILLINOIS
DEPARTMENT OF TRANSPORTATION**

SCHEDULE	
SCALE:	SHEET OF SHEETS STA. TO STA.

F.A. * RTE.	SECTION	COUNTY	TOTAL SHEETS	SHEET NO.
*	D9 Resurface 2020-1	VARIOUS	24	16
			CONTRACT NO. 78723	
		ILLINOIS	FED. AID PROJECT	

LOCATION #1				LENGTH (INFO ONLY)	THERMO PAVEMENT MARKING-4"		RAISED REFLEC. PAV'T MARKER REMOVAL	RAISED REFLEC. PAV'T MARKER	NOTE
STATION TO STATION					WHITE	YELLOW			
					FEET	FOOT			
FAP 776 (IL 142)				643	1286	161	8	8	
0+29.00 TO 6+72.00									
GAP SN 033-2004 6+72 TO 6+98									
6+98.00 TO 26+78.76				1981	3962	495	25	25	
STA 26+78.76 BK = STA 26+78.90 AH									
26+78.90 TO 77+09.55				5031	10061	1258	63	63	
STA 77+09.55 BK = STA 77+32.40 AH									
77+32.40 TO 84+65.00				733	1465	183	9	9	
GAP SN 033-0016 84+65 TO 85+44									
85+44.00 TO 107+78.00				2234	4468	559	28	28	
GAP SN 033-0047 107+78 TO 109+22									
109+22.00 TO 345+45.52				23624	47247	5906	295	295	
STA 345+45.52 BK = STA 345+55.40 AH									
345+55.40 TO 371+61.40				2606	5212	652	33	33	
STA 371+61.40 BK = STA 371+93.40 AH									
371+93.40 TO 389+55.80				1762	3525	441	22	22	
STA 389+55.40 BK = STA 387+26.90 AH									
387+26.90 TO 516+31.00				12904	25808	3226	161	161	
GAP SN 033-0050 515+79 TO 517+70									
517+70.00 TO 538+16.00				2046	4092	512	26	26	
GAP SN 033-0051 538+16 TO 540+12									
540+12.00 TO 543+55.00				343	686	86	4	4	
GAP SN 033-0052 543+55 TO 545+51									
545+51.00 TO 580+17.00				3466	6932	867	43	43	
GAP SN 033-0042 580+17 TO 580+47									
580+47.00 TO 589+51.39				904	1809	226	11	11	
STA 589+51.39 BK = STA 589+62.90 AH									
589+62.90 TO 611+82.22				2219	4439	555	28	28	
STA 611+82.22 BK = STA 612+45.50 AH									
612+45.50 TO 693+47.10				8102	16203	2025	101	101	
STA 693+47.10 BK = STA 693+75.00 AH									
693+75.00 TO 719+02.40				2527	5055	632	32	32	
0+00.00 TO 719+02.40						15922			SOLID PASSING LINE
TOTALS=					142,249	33,703	889	889	

MODEL: Default
 FILE: h:\a\c\p\pub\haronom.dwg
 PROJECT: 78723\CA00Data\CAD\Sheet\0978723-Sheet.dwg

USER NAME = knopen	DESIGNED -	REVISED -
	DRAWN -	REVISED -
PLOT SCALE = 100.0000' / in.	CHECKED -	REVISED -
PLOT DATE = 5/31/2019	DATE -	REVISED -

**STATE OF ILLINOIS
DEPARTMENT OF TRANSPORTATION**

SCHEDULE

SCALE: SHEET OF SHEETS STA. TO STA.

F.A. RTE.	SECTION	COUNTY	TOTAL SHEETS	SHEET NO.
*	D9 Resurface 2020-1	VARIOUS	24	17
			CONTRACT NO. 78723	
		ILLINOIS	FED. AID PROJECT	

LOCATION #1				LENGTH (INFO ONLY)	SHORT TERM PAVEMENT MARKINGS	SHORT TERM PAVEMENT MARKING REMOVAL	TEMPORARY PAVEMENT MARKING-4"		TEMPORARY PAVEMENT MARKING REMOVAL	NOTE
STATION TO STATION							YELLOW	WHITE		
FAP 776 (IL 142)				FEET	FOOT	SOFT	FOOT	FOOT	SOFT	
0+29.00	TO	6+72.00		643	193	64	1286	161	482	
GAP SN 033-2004 6+72 TO 6+98										
6+98.00	TO	26+78.76		1981	594	198	3962	495	1486	
STA 26+78.76 BK = STA 26+78.90 AH										
26+78.90	TO	77+09.55		5031	1509	503	10061	1258	3773	
STA 77+09.55 BK = STA 77+32.40 AH										
77+32.40	TO	84+65.00		733	220	73	1465	183	549	
GAP SN 033-0016 84+65 TO 85+44										
85+44.00	TO	107+78.00		2234	670	223	4468	559	1676	
GAP SN 033-0047 107+78 TO 109+22										
109+22.0	TO	345+45.52		23624	7087	2362	47247	5906	17718	
STA 345+45.52 BK = STA 345+55.40 AH										
345+55.4	TO	371+61.40		2606	782	261	5212	652	1955	
STA 371+61.40 BK = STA 371+93.40 AH										
371+93.4	TO	389+55.80		1762	529	176	3525	441	1322	
STA 389+55.80 BK = STA 387+26.90 AH										
387+26.9	TO	516+31.00		12904	3871	1290	25808	3226	9678	
GAP SN 033-0050 515+79 TO 517+70										
517+70.0	TO	538+16.00		2046	614	205	4092	512	1535	
GAP SN 033-0051 538+16 TO 540+12										
540+12.0	TO	543+55.00		343	103	34	686	86	257	
GAP SN 033-0052 543+55 TO 545+51										
545+51.0	TO	580+17.00		3466	1040	347	6932	867	2600	
GAP SN 033-0042 580+17 TO 580+47										
580+47.0	TO	589+51.39		904	271	90	1809	226	678	
STA 589+51.39 BK = STA 589+62.90 AH										
589+62.9	TO	611+82.22		2219	666	222	4439	555	1664	
STA 611+82.22 BK = STA 612+45.50 AH										
612+45.5	TO	693+47.10		8102	2430	810	16203	2025	6076	
STA 693+47.10 BK = STA 693+75.00 AH										
693+75.0	TO	719+02.40		2527	758	253	5055	632	1896	
0+00.00	TO	719+02.40						15922	5307	SOLID PASSING LINE
TOTALS=					21,337	7,112	142,249	33,703	58,651	

MODEL: Default
 FILE: h:\mhc\p\pub\haronom.dwg
 PROJECT: 78723\CA00Data\CAD\Sheet\0978723-Sheet1.dwg

USER NAME = knopen	DESIGNED -	REVISED -
	DRAWN -	REVISED -
PLOT SCALE = 100.0000' / in.	CHECKED -	REVISED -
PLOT DATE = 5/31/2019	DATE -	REVISED -

**STATE OF ILLINOIS
DEPARTMENT OF TRANSPORTATION**

SCHEDULE

SCALE: SHEET OF SHEETS STA. TO STA.

F.A. RTE.	SECTION	COUNTY	TOTAL SHEETS	SHEET NO.
*	D9 Resurface 2020-1	VARIOUS	24	18
			CONTRACT NO. 78723	

LOCATION #2				LENGTH (INFO ONLY)	EXIST. PAVEMENT WIDTH (INFO ONLY)	TEMP. RAMPS	HMA SURFACE REMOVAL - 2"	HMA SURFACE REMOVAL - 2 1/4"	LEVELING BINDER 3/4"	HMA SURFACE COURSE MIX C 1/2"	BIT. MAT'LS	LONG. JOINT SEALANT	MATERIAL TRANSFER DEVICE
STATION TO STATION													
FAP 776/FAS 902 (IL 142)				FEET	FEET	SQ YD	SQ YD	SQ YD	TON	TON	POUND	FOOT	TON
SALINE COUNTY													
LT/RT	209+50.00	TO	211+47.00	197	26	23		569	24	48	384	197	72
GAP LT 211+47 TO 211+97				50	13	23							
GAP RT 211+47 TO 213+78				231	13	23							
LT	211+97.00	TO	254+30.00	4233	13			6114	268	519	4127	4233	786
RT	213+78.00	TO	254+30.00	4052	13			5853	256	496	3951	4052	753
GALLATIN COUNTY													
	254+30.00	TO	267+00.00	1270	26			3669	157	310	2477	1270	467
STA 267+00 BK = STA 267+15.40 AH													
	267+15.40	TO	297+96.30	3081	26			8900	382	751	6008	3081	1133
STA 297+96.30 BK = STA 298+00 AH													
	298+00.00	TO	313+16.00	1516	26			4380	188	370	2956	1516	558
	313+16.00	TO	315+66.84	251	26-33.5	23		830	35	70	560	251	105
INTERSECTION OMISSION 315+66.84 TO 323+30													
	323+21.20	TO	323+50.00	29	39.2	35	125		5	11	85	29	16
	323+50.00		324+00.00	50	38.1		212		9	18	143	50	27
	324+00.00		324+11.10	11	35.7		44		2	4	30	11	6
STA 324+11.1 BK = STA 1604+11.5 AH													
	1604+11.50	TO	1604+50.00	39	34		145		6	12	98	39	18
	1604+50.00	TO	1605+00.00	50	34		189		8	16	128	50	24
	1605+00.00	TO	1605+50.00	50	32		177		8	15	119	50	22
	1605+50.00	TO	1606+00.00	50	30		167		7	14	113	50	21
	1606+00.00	TO	1609+50.00	350	28		1089		47	92	735	350	139
	1609+50.00	TO	1610+00.00	50	24		134		6	11	91	50	17
	1610+00.00	TO	1610+50.00	50	23		129		6	11	87	50	16
	1610+50.00	TO	1611+38.50	89	22		216		9	18	146	89	28
STA 1611+75.5 BK = STA 0+00 AH													
	0+00.00	TO	23+75.00	2375	22	20	5806		250	490	3919	2375	741
SALINE TOTAL =				69			0	12536	549	1063	8462	8482	1612
GALLATIN TOTAL =				78			8433	17779	1125	2213	17692	9310	3338
TOTALS =				147			8433	30315	1674	3276	26154	17792	4950

MODEL: Default
FILE: h:\mhc\p\pub\haronom.dwg
PROJECT: 78723\GAD\DATA\CAD\Sheets\DOT - Office\14111.dwg
DATE: 5/31/2019

USER NAME = knopen	DESIGNED -	REVISED -
	DRAWN -	REVISED -
PLOT SCALE = 100.0000' / in.	CHECKED -	REVISED -
PLOT DATE = 5/31/2019	DATE -	REVISED -

**STATE OF ILLINOIS
DEPARTMENT OF TRANSPORTATION**

SCHEDULE

SCALE: SHEET OF SHEETS STA. TO STA.

F.A. RTE.	SECTION	COUNTY	TOTAL SHEETS	SHEET NO.
*	D9 Resurface 2020-1	VARIOUS	24	19
CONTRACT NO. 78723				

LOCATION #2				LENGTH (INFO ONLY)	EXIST. SHOULDER WIDTH (INFO ONLY)	HMA SURFACE REMOVAL - 2 "	HMA SHOULDERS 2-1/4"	AGG WEDGE SHLD TY B	BIT. MAT'LS
STATION TO STATION									
FAP 776/FAS 902 (IL 142)				FEET	FEET	SQ YD	TON	TON	POUND
LT	321+02.00	TO	324+11.10	309	4	137	9	11	93
LT	1604+11.50	TO	1605+05.50	94	4	42	3	3	28
RT	320+30.00	TO	324+11.10	381	4	169	10	13	114
RT	1604+11.50	TO	1604+44.50	33	4	15	1	1	10
RT	1604+44.50	TO	1611+19.50	675	2	150	6	23	101
RT	304+00.00	TO	317+87.00	1387	10	1541	219	48	1040
LT	313+37.00	TO	317+96.00	459	10	510	73	16	344
LT	212+18.00	TO	239+05.00	2687	3	896	45		605
TOTAL =						3460	365	116	2335

MODEL: Default
 FILE: h:\h142\p142\planroom\dat\illinois.gov\PWIDOT\Documents\DOT_Offices\District_9\Projects\78723\CAAD\Drawings\978723-Sheets.dgn

USER NAME = knopen	DESIGNED -	REVISED -	STATE OF ILLINOIS DEPARTMENT OF TRANSPORTATION	SCHEDULE				F.A.* RTE.	SECTION	COUNTY	TOTAL SHEETS	SHEET NO.
PLOT SCALE = 100.0000' / in.	DRAWN -	REVISED -						* D9 Resurface 2020-1	VARIOUS	24	20	
PLOT DATE = 5/31/2019	CHECKED -	REVISED -		SCALE: SHEET OF SHEETS STA. TO STA.				ILLINOIS FED. AID PROJECT		CONTRACT NO. 78723		
	DATE -	REVISED -		**FAP 776/FAS 902 Hamilton, Saline, Gallatin								

LOCATION #2				LENGTH (INFO ONLY)	THERMO PAVEMENT MARKING-4"		RAISED REFLEC. PAV'T MARKER REMOVAL	RAISED REFLEC. PAV' T MARKER	NOTE
STATION TO STATION					WHITE	YELLOW			
FAP 776/FAS 902 (IL 142)				FEET	FOOT	FOOT	EACH	EACH	
SALINE COUNTY									
	209+50.00	TO	254+30.00	4480	8960	1120	56	56	
GALLATIN COUNTY									
	254+30.00	TO	267+00.00	1270	2540	318	16	16	
STA 267+00 BK = STA 267+15.40 AH									
	267+15.40	TO	297+96.30	3081	6162	770	39	39	
STA 297+96.30 BK = STA 298+00 AH									
	298+00.00	TO	315+66.84	1767	3534	442	22	22	
INTERSECTION OMISSION 315+66.84 TO 323+30									
	323+30.00	TO	324+11.10	81	162	20	1	1	
STA 324+11.1 BK = STA 1604+11.5 AH									
	1604+11.50	TO	1611+75.50	764	1528	191	10	10	
STA 1611+75.5 BK = STA 0+00 AH									
	0+00.00	TO	23+75.00	2375	4750	594	30	30	
						10160	0	0	SOLID PASSING LINE
TOTALS=					27,636	13,615	173	173	

MODEL: Default
 FILE: \\harris-pub\harrisroom\dat\illinois.gov\PWIDOT\Documents\IDOT_Offices\District 9\Projects\78723\CAAD\Drawings\978723-Sheets.dgn

USER NAME = knopen	DESIGNED -	REVISED -
	DRAWN -	REVISED -
PLOT SCALE = 100.0000 ' / in.	CHECKED -	REVISED -
PLOT DATE = 5/31/2019	DATE -	REVISED -

**STATE OF ILLINOIS
DEPARTMENT OF TRANSPORTATION**

SCHEDULE

SCALE: SHEET OF SHEETS STA. TO STA.

F.A.* RTE.	SECTION	COUNTY	TOTAL SHEETS	SHEET NO.
*	D9 Resurface 2020-1	VARIOUS	24	21
			CONTRACT NO. 78723	
		ILLINOIS	FED. AID PROJECT	

**FAP 776/FAS 902

Hamilton, Saline, Gallatin

LOCATION #2				LENGTH (INFO ONLY)	SHORT TERM PAVEMENT MARKINGS	SHORT TERM PAVEMENT MARKING REMOVAL	TEMPORARY PAVEMENT MARKING-4"		TEMPORARY PAVEMENT MARKING REMOVAL	NOTE
STATION TO STATION							YELLOW	WHITE		
FAP 776/FAS 902 (IL 142)				FEET	FOOT	SOFT	FOOT	FOOT	SOFT	
SALINE COUNTY										
	209+50.00	TO	254+30.00	4480	1344	448	8960	1120	3360	
GALLATIN COUNTY										
	254+30.00	TO	267+00.00	1270	381	127	2540	318	953	
STA 267+00 BK = STA 267+15.40 AH										
	267+15.40	TO	297+96.30	3081	924	308	6162	770	2311	
STA 297+96.30 BK = STA 298+00 AH										
	298+00.00	TO	315+66.84	1767	530	177	3534	442	1325	
INTERSECTION OMISSION 315+66.84 TO 323+30										
	323+30.00	TO	324+11.10	81	24	8	162	20	61	
STA 324+11.1 BK = STA 1604+11.5 AH										
	1604+11.50	TO	1611+75.50	764	229	76	1528	191	573	
STA 1611+75.5 BK = STA 0+00 AH										
	0+00.00	TO	23+75.00	2375	713	238	4750	594	1781	
	209+50	TO	23+75					10160	3387	SOLID PASSING LINE
TOTALS=					4,145	1,382	27,636	13,615	13,750	

MODEL: Default
 FILE: \\harris.com\data\illinois.gov\PI\DOT\Documents\DOT_Offices\District_9\Projects\78723\CAAD\Drawings\978723-Sheets.dgn

USER NAME = knopen	DESIGNED -	REVISED -
	DRAWN -	REVISED -
PLOT SCALE = 100.0000' / in.	CHECKED -	REVISED -
PLOT DATE = 5/31/2019	DATE -	REVISED -

**STATE OF ILLINOIS
DEPARTMENT OF TRANSPORTATION**

SCHEDULE

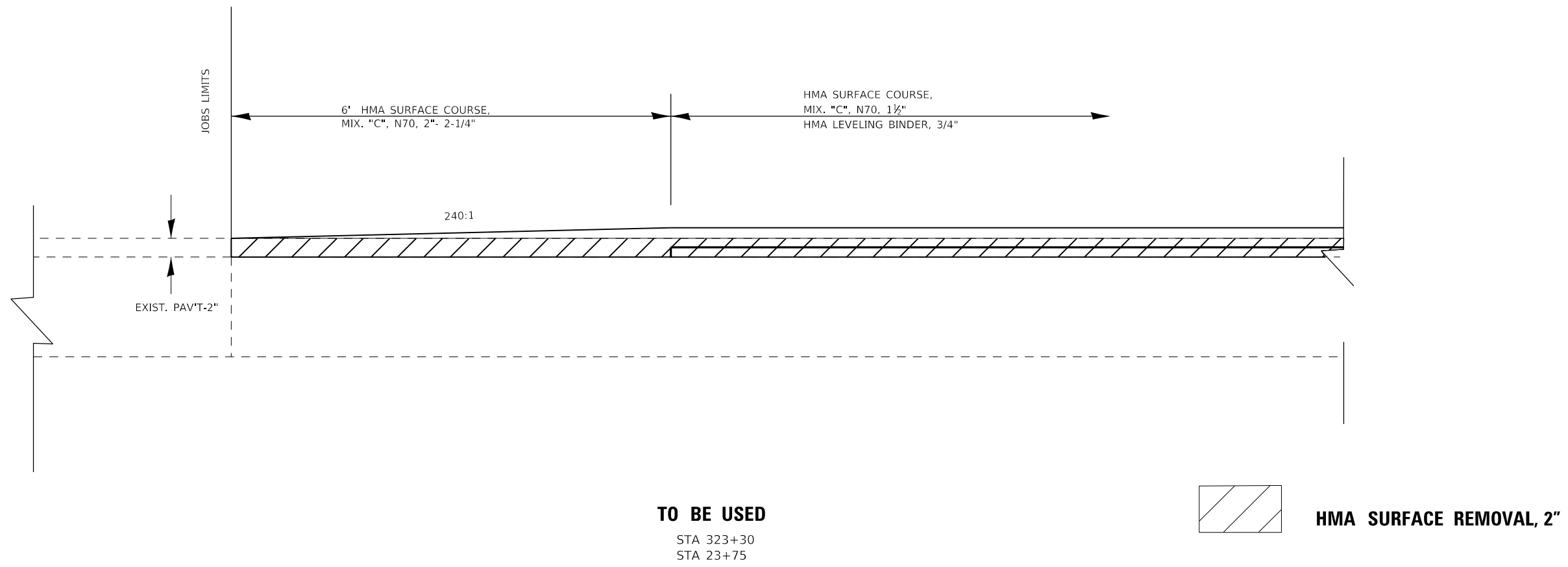
SCALE: SHEET OF SHEETS STA. TO STA.

F.A. RTE.	SECTION	COUNTY	TOTAL SHEETS	SHEET NO.
*	D9 Resurface 2020-1	VARIOUS	24	22
			CONTRACT NO. 78723	

**FAP 776/FAS 902

Hamilton, Saline, Gallatin

BUTT JOINT

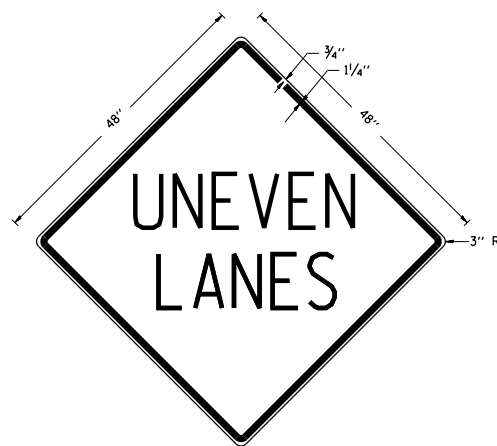


NOTE: ALL BUTT JOINT SAW CUTS ARE INCLUDED IN THE COST OF HMA SURFACE REMOVAL 2" OR HMA SURFACE REMOVAL 2-1/4" AT ALL OTHER LOCATIONS.

MODEL: Default
 FILE: hmlrte_pavuplanroom.dwg
 I:\Projects\78723\CAAD\Bids\DOT\Office\Drawings\9\Projects\78723\CAAD\Bids\DOT\Office\Drawings\9\Projects\78723-Sheets.dwg

USER NAME = knopen PLOT SCALE = 100.0000 ' / in. PLOT DATE = 5/31/2019	DESIGNED - DRAWN - CHECKED - DATE -	REVISED - REVISED - REVISED - REVISED -	STATE OF ILLINOIS DEPARTMENT OF TRANSPORTATION	BUTT JOINT DETAIL	F.A. * RTE.	SECTION D9 Resurface 2020-1	COUNTY VARIOUS	TOTAL SHEETS 24	SHEET NO. 23
					SCALE: SHEET OF SHEETS STA. TO STA.		ILLINOIS FED. AID PROJECT CONTRACT NO. 78723		
					**FAP 776/FAS 902		Hamilton, Saline, Gallatin		

UNEVEN LANES SIGN
W8-11 (48" x 48")



COLORS:
LEGEND AND BORDER - BLACK NON-REFLECTORIZED
BACKGROUND - ORANGE REFLECTORIZED

NOTE: PRIOR TO ALLOWING TRAFFIC ON ANY PORTION OF THE ROADWAY THAT HAS BEEN COLDMILLED OR BEFORE RESURFACING OPERATIONS BEGIN, THE CONTRACTOR SHALL HAVE ERECTED "UNEVEN PAVEMENT" SIGNS THAT CONFORM TO THE ABOVE DETAILS. A MINIMUM OF ONE SIGN AT EACH END OF THE IMPROVEMENT WILL BE REQUIRED. THE CONTRACTOR SHALL MAINTAIN THE "UNEVEN PAVEMENT" SIGNS UNTIL THE RESURFACING OPERATIONS ARE COMPLETED.

IF AT ANY TIME THE SIGNS ARE IN PLACE BUT NOT APPLICABLE, THEY SHALL BE TURNED FROM THE VIEW OF MOTORISTS OR COVERED AS DIRECTED BY THE ENGINEER.

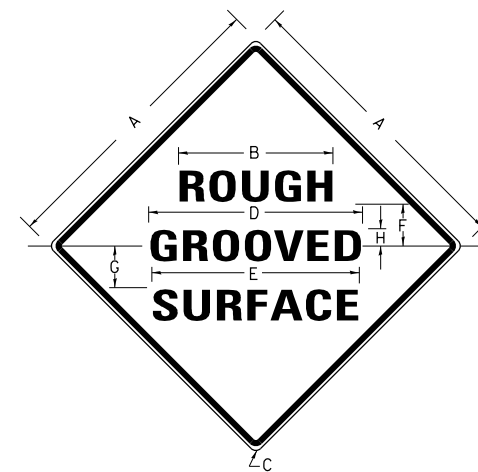
THE COST OF FURNISHING, ERECTING, MAINTAINING, AND REMOVING THE REQUIRED SIGNS SHALL BE INCLUDED IN THE CONTRACT.

REVISIONS

DRAWN	2-15-89
REVISED	4-06-93
REDESIGNED	
RESIZED	
REVIEWED	5-17-13

STD. 9-41

ILLINOIS STANDARD



COLORS:

LEGEND AND BORDER - BLACK NON-REFLECTORIZED
BACKGROUND - ORANGE REFLECTORIZED

SIGN SIZE	DIMENSIONS							
	A	B	C	D	E	F	G	H
48X48	48.0	24.1	3.0	34.0	33.0	6.0	13.0	3.5

SIGN SIZE	SERIES LINES			MARGIN	BORDER	BLANK STD.
	1	2	3			
48X48	7C	7C	7C	0.8	1.2	B4-48D

ALL DIMENSIONS IN INCHES

NOTES:

PRIOR TO ALLOWING TRAFFIC ON ANY PORTION OF THE ROADWAY THAT HAS BEEN COLDMILLED, THE CONTRACTOR SHALL HAVE ERECTED "ROUGH GROOVED SURFACE" SIGNS THAT CONFORM TO THE ABOVE DETAILS. A MINIMUM OF ONE SIGN AT EACH END OF THE IMPROVEMENT WILL BE REQUIRED. THE CONTRACTOR SHALL MAINTAIN THE "ROUGH GROOVED SURFACE" SIGNS UNTIL THE COLDMILLED SURFACE IS COVERED WITH LEVELING BINDER OR SURFACE COURSE.

IF AT ANY TIME THE SIGNS ARE IN PLACE BUT NOT APPLICABLE, THEY SHALL BE TURNED FROM THE VIEW OF MOTORISTS OR COVERED AS DIRECTED BY THE ENGINEER.

THE COST OF FURNISHING, ERECTING, MAINTAINING, AND REMOVING THE REQUIRED SIGNS SHALL BE INCLUDED IN THE CONTRACT.

REVISIONS

REDRAWN	2-15-89
REVISED	4-6-93
REVISED	3-27-08
REVIEWED	5-17-13

STD. 9-39

MODEL: Default
FILE: h:\mtrc\pub\hannan\road\illinois\gov\pww\dtd\Documents\DOT_Offices\Illin\dtct_9\Project\78723\CA00Data\CAD\shhets\09\78723-Sheets.dgn

USER NAME = knopen	DESIGNED -	REVISED -
	DRAWN -	REVISED -
PLOT SCALE = 100.0000 ' / in.	CHECKED -	REVISED -
PLOT DATE = 5/31/2019	DATE -	REVISED -

STATE OF ILLINOIS
DEPARTMENT OF TRANSPORTATION

SIGN DETAIL

SCALE: SHEET OF SHEETS STA. TO STA.

F.A. RTE.	SECTION	COUNTY	TOTAL SHEETS	SHEET NO.
*	D9 Resurface 2020-1	VARIOUS	24	24
		CONTRACT NO. 78723		

**FAP 776/FAS 902

Hamilton, Saline, Gallatin