

072

07-12-2019 LETTING ITEM 072

F.A.P. ATE.	SECTION	COUNTY	TOTAL SHEETS	SHEET NO.
132	(102,103)RS-3	MASSAC/POPE	18	1
		ILLINOIS	CONTRACT NO. 78742	

FOR INDEX OF SHEETS, SEE SHEET NO. 3

FOR SUMMARY OF QUANTITIES, SEE SHEET NO. 5-7

STATE OF ILLINOIS
DEPARTMENT OF TRANSPORTATION

TRAFFIC DATA (2017)

LOCATION 1:

ADT = 4,200
PV = 4,020
SU = 100
MU = 80

LOCATION 2:

ADT = 2,000
PV = 1,570
SU = 330
MU = 100

TOWNSHIPS

REEVESVILLE METROPOLIS

STATION EQUATIONS

221+56.81 BK TO 221+44.16 AH
232+70.88 BK TO 232+71.2 AH
354+43.81 BK TO 354+64.13 AH
504+89. BK TO 504+71.11 AH
588+86.65 BK TO 589+00. AH
641+10.66 BK TO 640+32.9 AH
684+83.79 BK TO 685+17.4 AH
719+78.4 BK TO 719+96.4 AH
868+00. BK TO 868+04. AH
925+98.97 BK TO 928+25.1 AH
954+43.3 BK TO 954+50. AH

OMMISSIONS

810+64.1 TO 813+66.7 SN 076-0025
894+86.7 TO 898+11.3 SN 076-0024

DESIGN DESIGNATION: NA

COORDINATE SYSTEM:
ILLINOIS COORDINATE SYSTEM, EAST ZONE

POSTED SPEED: 55 MPH

J.U.L.I.E.
JOINT UTILITY LOCATION INFORMATION FOR EXCAVATION
1-800-892-0123
OR 811

PROJECT ENGINEER: SUSAN POE
PROJECT DESIGNER: SEAN GREENLEE

CONTRACT NO. 78742

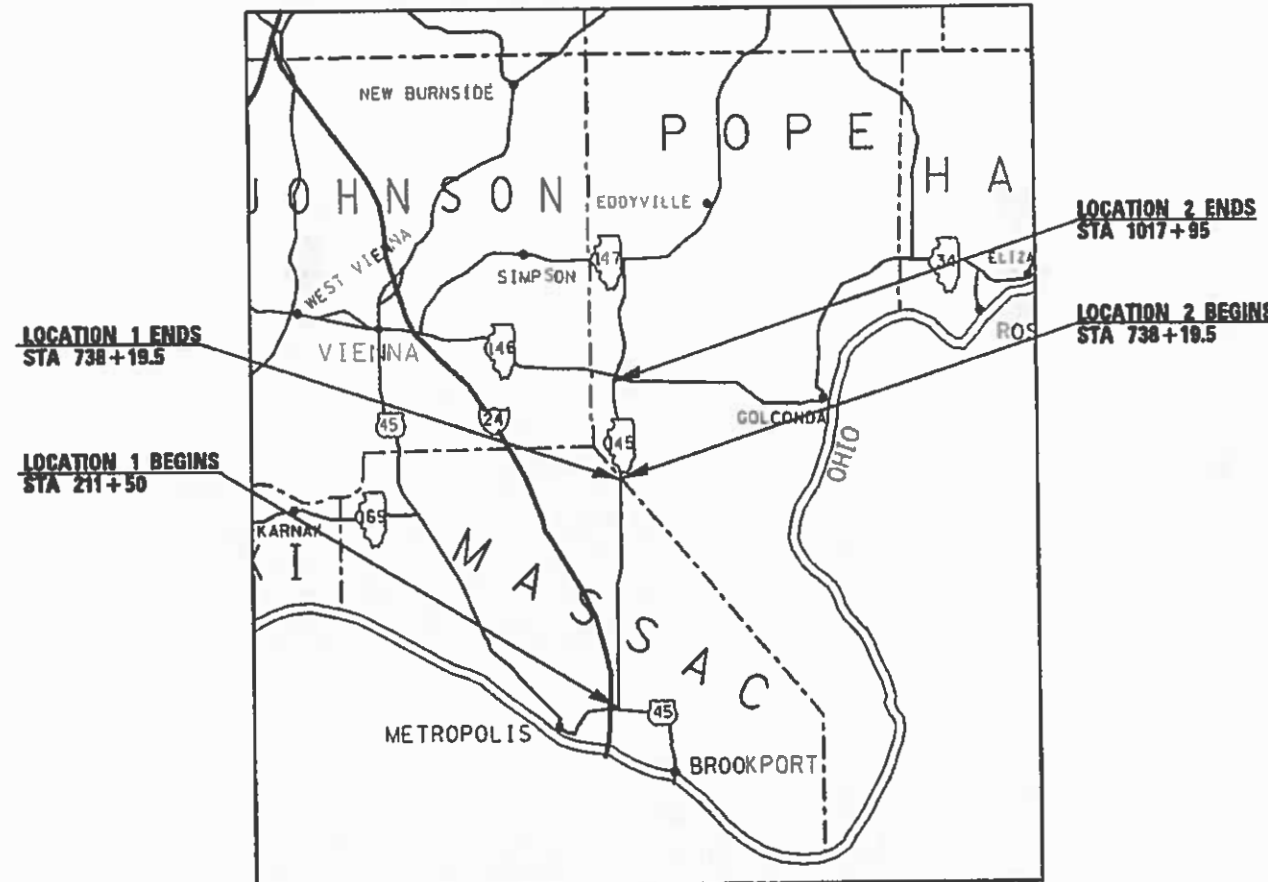
**PROPOSED
HIGHWAY PLANS**

FAP ROUTE 132 (IL 145)
SECTION (102,103)RS-3
PROJECT STP-9TOL(341)
3P RESURFACING
MASSAC AND POPE COUNTIES

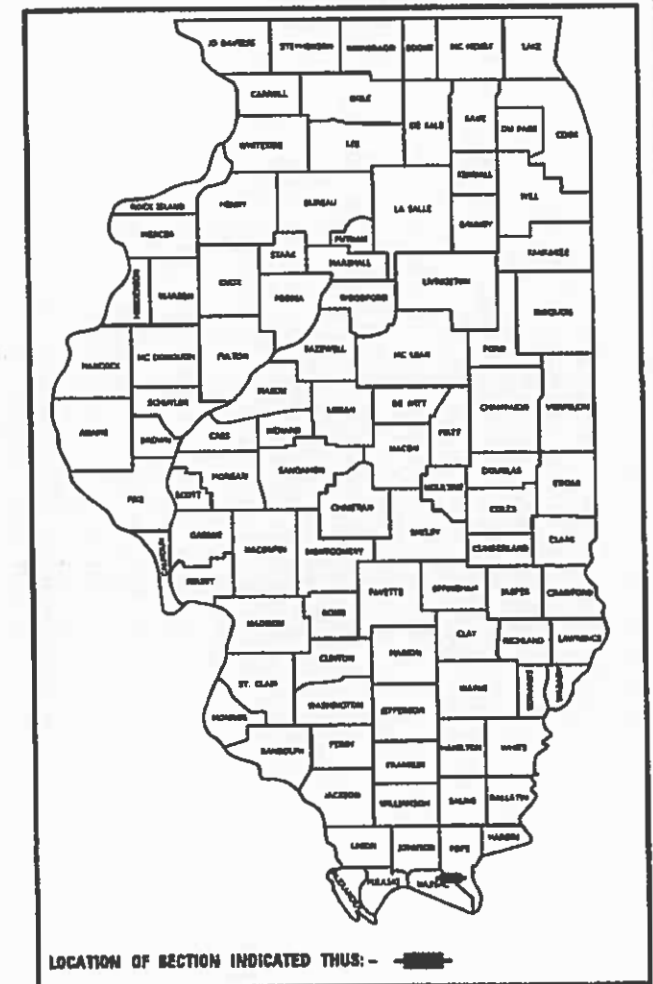
C-99-083-19

LOCATION 1: IL 145 (FAP 132)
MASSAC COUNTY

LOCATION 2: IL 145 (FAP 132)
POPE COUNTY



GROSS LENGTH = 88,645 FT. = 15.27 MILES
NET LENGTH = 79,803.67 FT. = 15.11 MILES



LOCATION OF SECTION INDICATED THUS: -

STATE OF ILLINOIS
DEPARTMENT OF TRANSPORTATION

SUBMITTED 05-31-2019
[Signature]
REGION FIVE ENGINEER

June 14 2019
[Signature]
ENGINEER OF DESIGN AND ENVIRONMENT

June 14 2019
[Signature]
DIRECTOR OF HIGHWAYS PROJECT IMPLEMENTATION

**PRINTED BY THE AUTHORITY
OF THE STATE OF ILLINOIS**

MOE:\Drawn\Illinois\DOT Documents\DOT Office\District 8\Projects\1742\CAD\Drawings\1742-78742-Sheet2.dgn

Prepared By: Charles Stein
DISTRICT STUDIES & PLANS ENGINEER

Examined By: _____
DISTRICT LAND ACQUISITION ENGINEER

Examined By: Connie Nelson
DISTRICT PROGRAM DEVELOPMENT ENGINEER

Examined By: Kevin Kelly
DISTRICT OPERATIONS ENGINEER

Examined By: [Signature]
DISTRICT PROJECT IMPLEMENTATION ENGINEER

Examined By: Douglas J. Merrill
DISTRICT CONSTRUCTION ENGINEER

Examined By: [Signature]
DISTRICT MATERIALS ENGINEER

USER NAME = greenleesm	DESIGNED -	REVISED -
PLOT SCALE = 100.0000' / in.	DRAWN -	REVISED -
PLOT DATE = 5/30/2019	CHECKED -	REVISED -
	DATE -	REVISED -

**STATE OF ILLINOIS
DEPARTMENT OF TRANSPORTATION**

SIGNATURE SHEET

SCALE: SHEET OF SHEETS STA. TO STA.

F.A.P. RTE.	SECTION	COUNTY	TOTAL SHEETS	SHEET NO.
132	(102,103)RS-3	MASSAC/POPE	18	2
ILLINOIS FED. AID PROJECT				

INDEX OF SHEETS

SHT NO	DESCRIPTION
1	COVER SHEET
2	SIGNATURE SHEET
3	INDEX OF SHEETS, STANDARDS, GENERAL NOTES
4	MIXTURE REQUIREMENTS, MTD CROSSING RESTRICTION TABLE
5-7	SUMMARY OF QUANTITIES
8-10	TYPICAL SECTIONS
11-16	SCHEDULES OF QUANTITIES
17	DETAIL: PAVEMENT MARKINGS
18	DETAILS: ROUGH GROOVED SURFACE; UNEVEN LANES, TEMPORARY ASPHALT TRANSITIONS

GENERAL NOTES

FACTORS USED FOR ESTIMATING PLAN QUANTITIES ARE AS FOLLOWS AND SHALL NOT BE USED FOR THE BASIS OF FINAL QUANTITIES:

ALL HOT MIX ASPHALT 2.016 TONS/CU. YD.

ALL AGGREGATE 2.05 TONS/CU. YD.

THE QUANTITY OF SHORT TERM PAVEMENT MARKING SHOWN IN THE PLANS IS BASED ON ONE APPLICATION EACH FOR THE HMA SURFACE REMOVAL, BINDER COURSE, AND SURFACE COURSE

THE CONTRACTOR SHALL STAMP STATIONING IN THE PROPOSED HOT MIX ASPHALT SURFACE AT 300 FT INTERVALS ON ALTERNATING SIDES OF THE PAVEMENT AND AS DIRECTED BY THE ENGINEER. THE STATION SYMBOL STAMPS USED SHALL BE FURNISHED BY THE CONTRACTOR. THEY SHALL BE 5 1/2 IN. TALL, OF A DESIGN APPROVED BY THE ENGINEER, AND SHALL REMAIN THE PROPERTY OF THE CONTRACTOR.

HMA RESURFACING SHALL BE PLACED IN A SEQUENCE THAT WILL MINIMIZE THE TIME THE CENTERLINE EDGE IS EXPOSED TO TRAFFIC. WHEN AT THE END OF A DAY'S OPERATION THE EXPOSED CENTERLINE EDGE IS GREATER THAN 2,000 FT, THE CONTRACTOR SHALL BE REQUIRED TO PAVE IN THE ADJACENT LANE ON THE FOLLOWING WORK DAY. PRIOR TO WINTER SHUTDOWN, RESURFACING ON ADJACENT LANES IS TO BE BROUGHT UP TO THE SAME ELEVATION.

AFTER A LIFT OF HOT MIX ASPHALT HAS BEEN PLACED, THE LANE SHALL REMAIN CLOSED TO TRAFFIC UNTIL THE NEW MAT HAS COOLED TO 150 DEGREES FAHRENHEIT

THE CONTRACTOR SHALL COMPLETE ALL PATCHING PRIOR TO THE HOT MIX ASPHALT SURFACE REMOVAL.

AT STRUCTURES 064-0009 AND 076-0019 A 1/4" X 3/4" SAWCUT FILLED WITH BRIDGE RELIEF JOINT SEALER OVER THE BACK OF BOTH ABUTMENTS SHALL BE INSTALLED AS PER STANDARD SPECS 588. SUCH WORK WILL BE INCLUDED IN THE COST OF HOT-MIX ASPHALT SURFACE REMOVAL, 1 1/4".

A QUANTITY OF 1,010 TONS OF AGGREGATE WEDGE SHOULDER, TYPE B HAS BEEN ESTIMATED FOR THIS PROJECT. THE EXACT LOCATION WILL BE DETERMINED BY THE ENGINEER.

HIGHWAY STANDARDS

000001-07_STANDARDSYMBOLSABBREVIATIONS&PATTERNS
 001006_DECIMALOFINCH&FOOT
 442201-03_CLASS&DPATCHES
 701001-02_OFFRDOP-2L2W-15FTMINFROMEOP
 701006-05_OFFRDOP-2L2W-15FTTTOEOP
 701301-04_LNCLOSURE2L2W-SHORTTIMEOP
 701306-04_LNCLOSURE2L2W-SLOWMOVEOPDAYONLY45MPHORMORE
 701311-03_LNCLOSURE2L2W-MOVINGOPDAYONLY
 701336-07_LNCLOSURE2L2W-WORKAREASINERIES45MPHORMORE
 701901-08_TRAFCNTRLDEVICES
 780001-05_TYPICALPVMTRKINGS
 781001-04_TYPICALAPPRAISEDREFLCPVMTMRKRS

COMMITMENTS

NONE

STATE OF ILLINOIS
DEPARTMENT OF TRANSPORTATION

INDEX OF SHEETS, STANDARDS,
GENERAL NOTES, COMMITMENTS

SCALE: SHEET OF SHEETS STA. TO STA.

F.A.P. RTE.	SECTION	COUNTY	TOTAL SHEETS	SHEET NO.
132	(102,103)RS-3	MASSAC/POPE	18	3
CONTRACT NO. 78742				
ILLINOIS		FED. AID PROJECT		

MIXTURES REQUIREMENTS

Locations	Hot-Mix Asphalt Surface Course
Mixture Use(s):	Hot-Mix Asphalt Surface Course, Mix C, N70
AB/PG:	PG64-22
ABR % (Max):	See Special Provision
Design Air Voids:	4.0 %, 70 Gyration Design
Mixture Composition: (Gradation Mixture)	IL-9.5mm
Friction Aggregate:	C Surface
Mixture Weight:	112 lbs/Sq Yd/in
Quality Management Program:	PFP
Sublot Size:	TBD

Locations	Hot-Mix Asphalt Leveling Binder
Mixture Use(s):	Hot-Mix Asphalt Leveling Binder, N70 Fine Graded
AB/PG:	PG64-22
ABR % (Max):	See Special Provision
Design Air Voids:	4.0 %, 70 Gyration Design
Mixture Composition: (Gradation Mixture)	IL-9.5mm Fine Graded
Friction Aggregate:	None
Mixture Weight:	112 lbs/Sq Yd/in
Quality Management Program:	OCP
Sublot Size:	TBD

Locations	Pavement Patching
Mixture Use(s):	Hot-Mix Asphalt Binder Course, N70, IL-19.0
AB/PG:	PG64-22
ABR % (Max):	See Special Provision
Design Air Voids:	4.0 %, 70 Gyration Design
Mixture Composition: (Gradation Mixture)	IL-19.0mm
Friction Aggregate:	None
Mixture Weight:	112 lbs/Sq Yd/in
Quality Management Program:	QCQA
Sublot Size:	NA

Locations	Hot-Mix Asphalt Shoulders
Mixture Use(s):	Hot-Mix Asphalt Surface Course, Mix C, N30
AB/PG:	PG64-22
ABR % (Max):	See Special Provision
Design Air Voids:	4.0 %, 30 Gyration Design
Mixture Composition: (Gradation Mixture)	IL-9.5L
Friction Aggregate:	None
Mixture Weight:	112 lbs/Sq Yd/in
Quality Management Program:	QCQA
Sublot Size:	NA

MTD CROSSING RESTRICTIONS TABLE

STRUCTURE NUMBER	EXISTING FILL HEIGHT OVER BOX CULVERT	THICKNESS OF EXISTING PAVEMENT OVER BOX CULVERT	MTD CROSSING RESTRICTIONS
	FOOT	FOOT	
076-2002	0		pending
076-7034	2.5		none
076-7033	0.5		pending
076-0024	n/a		pending
076-7032	8.7		none
076-7031	3.7		none
076-0025	n/a		pending
076-7030	0.5		pending
076-7029	2.6		none
076-0019	n/a		pending
076-7028	0.6		pending
064-7028	3		none
064-7027	1.5		pending
064-7026	4		pending
064-7025	2.5		none
064-7024	1.5		pending
064-0008	n/a		pending
064-7023	6.5		none
064-7022	3		none
064-0009	n/a		pending
064-7021	1.5		pending
064-7043	0		none
064-7019	2.9		none
064-7018	3		none

MODEL: Default
 FILE: \\blm\c:\pub\blm\room\dat\illinois\pwr\WIDOT\Documents\DOT_Offices\Illinet\9\Projects\78742\CAD\Drawings\CAD\Drawings\9-78742-Sheets.dgn

USER NAME = greenleesm	DESIGNED -	REVISED -
	DRAWN -	REVISED -
PLOT SCALE = 100.0000 ' / in.	CHECKED -	REVISED -
PLOT DATE = 5/31/2019	DATE -	REVISED -

**STATE OF ILLINOIS
DEPARTMENT OF TRANSPORTATION**

MIXTURES REQUIREMENTS, MTD CROSSING RESTRICTION TABLE

SCALE: SHEET OF SHEETS STA. TO STA.

F.A.P. RTE.	SECTION	COUNTY	TOTAL SHEETS	SHEET NO.
132	(102,103)RS-3	MASSAC/POPE	18	4
CONTRACT NO. 78742				
ILLINOIS FED. AID PROJECT				

SUMMARY OF QUANTITIES

COUNTY:	MASSAC	POPE
ROUTE:	IL 145	IL 145
FUNDING:	80% FED / 20% STATE	80% FED / 20% STATE
LOCATION:	RURAL	RURAL

CODE NUMBER	ITEM DESCRIPTION	UNIT	TOTAL QUANTITY	ROADWAY	
				0005	0005
40600290	BITUMINOUS MATERIALS (TACK COAT)	POUND	158,452	104,679	53,773
40600637	LEVELING BINDER (MACHINE METHOD), IL-9.5FG, N70	TON	9,806	6,472	3,334
40600990	TEMPORARY RAMP	SQ YD	136	22	114
40603315	HOT-MIX ASPHALT SURFACE COURSE, MIX "C", N70	TON	19,595	12,938	6,657
44000154	HOT-MIX ASPHALT SURFACE REMOVAL, 1 1/4"	SQ YD	524	383	141
44000158	HOT-MIX ASPHALT SURFACE REMOVAL, 2 1/4"	SQ YD	232,743	153,386	79,357
44200152	PAVEMENT PATCHING, TYPE I, 13 INCH	SQ YD	30	4	26
44200156	PAVEMENT PATCHING, TYPE II, 13 INCH	SQ YD	215	100	115
44200160	PAVEMENT PATCHING, TYPE III, 13 INCH	SQ YD	150	75	75
44200162	PAVEMENT PATCHING, TYPE IV, 13 INCH	SQ YD	125	60	65
44300200	STRIP REFLECTIVE CRACK CONTROL TREATMENT	FOOT	159,342	105,119	54,223
48102100	AGGREGATE WEDGE SHOULDER, TYPE B	TON	1,010	660	350

MODEL: Default
 FILE: \\nas101.psw.ibm.com\data\illinois\pww\DOT\Documents\DOT_Offices\Illinet\9\Projects\78742\CADDData\CAD\Sheets\09-78742-Sheets.dgn

USER NAME = greenleesm	DESIGNED -	REVISED -	
	DRAWN -	REVISED -	
PLOT SCALE = 100.0000' / in.	CHECKED -	REVISED -	
PLOT DATE = 5/31/2019	DATE -	REVISED -	

**STATE OF ILLINOIS
DEPARTMENT OF TRANSPORTATION**

SCHEDULES			
SCALE:	SHEET	OF	SHEETS
	STA.	TO	STA.

F.A.P. RTE.	SECTION	COUNTY	TOTAL SHEETS	SHEET NO.
132	(102,103)RS-3	MASSAC/POPE	18	5
CONTRACT NO. 78742				
ILLINOIS FED. AID PROJECT				

SUMMARY OF QUANTITIES - CONT

COUNTY:	MASSAC	POPE
ROUTE:	IL 145	IL 145
FUNDING:	80% FED / 20% STATE	80% FED / 20% STATE
LOCATION:	RURAL	RURAL
	ROADWAY	ROADWAY
	0005	0005

CODE NUMBER	ITEM DESCRIPTION	UNIT	TOTAL QUANTITY	MASSAC	POPE
48203100	HOT-MIX ASPHALT SHOULDERS	TON	127	63	64
67000400	ENGINEER'S FIELD OFFICE, TYPE A	CAL MO	4	3	1
67100100	MOBILIZATION	L SUM	1	0.5	0.5
70100460	TRAFFIC CONTROL AND PROTECTION, STANDARD 701306	L SUM	1	0.5	0.5
70100600	TRAFFIC CONTROL AND PROTECTION, STANDARD 701336	L SUM	1	0.5	0.5
70107025	CHANGEABLE MESSAGE SIGN	CAL DA	28	14	14
70300100	SHORT TERM PAVEMENT MARKING	FOOT	23,928	15,808	8,120
70300150	SHORT TERM PAVEMENT MARKING REMOVAL	SQ FT	7,976	5,269	2,707
70300210	TEMPORARY PAVEMENT MARKING LETTERS AND SYMBOLS	SQ FT	109.2	72.8	36.4
70300220	TEMPORARY PAVEMENT MARKING - LINE 4"	FOOT	236,611	167,320	69,291
70300260	TEMPORARY PAVEMENT MARKING - LINE 12"	FOOT	556	556	
70300280	TEMPORARY PAVEMENT MARKING - LINE 24"	FOOT	63	63	

MODEL: Default
 FILE: \\bls01c01.pw\pub\harcourt\dot\illinois\pwr\pww\DOT\Documents\DOT_Offices\Default_9\Projects\78742\CADD\Drawings\99-78742-Sheets.dgn

USER NAME = greenleesm	DESIGNED -	REVISED -
	DRAWN -	REVISED -
PLOT SCALE = 100.0000' / in.	CHECKED -	REVISED -
PLOT DATE = 5/31/2019	DATE -	REVISED -

**STATE OF ILLINOIS
DEPARTMENT OF TRANSPORTATION**

SCHEDULES			
SCALE:	SHEET OF SHEETS	STA. TO STA.	

F.A.P. RTE.	SECTION	COUNTY	TOTAL SHEETS	SHEET NO.
132	(102,103)RS-3	MASSAC/POPE	18	6
CONTRACT NO. 78742				
ILLINOIS FED. AID PROJECT				

SUMMARY OF QUANTITIES - CONT

COUNTY:	MASSAC	POPE
ROUTE:	IL 145	IL 145
FUNDING:	80% FED / 20% STATE	80% FED / 20% STATE
LOCATION:	RURAL	RURAL

CODE NUMBER	ITEM DESCRIPTION	UNIT	TOTAL QUANTITY	ROADWAY	
				0005	0005
78000100	THERMOPLASTIC PAVEMENT MARKING - LETTERS AND SYMBOLS	SQ FT	109.2	72.8	36.4
78000200	THERMOPLASTIC PAVEMENT MARKING - LINE 4"	FOOT	236,611	167,320	69,291
78000600	THERMOPLASTIC PAVEMENT MARKING - LINE 12"	FOOT	556	556	
78000650	THERMOPLASTIC PAVEMENT MARKING - LINE 24"	FOOT	63	63	
78100100	RAISED REFLECTIVE PAVEMENT MARKER	EACH	1,050	682	368
78300200	RAISED REFLECTIVE PAVEMENT MARKER REMOVAL	EACH	1,050	682	368
X4401198	HOT-MIX ASPHALT SURFACE REMOVAL, VARIABLE DEPTH	SQ YD	433	289	144
X7030005	TEMPORARY PAVEMENT MARKING REMOVAL	SQ FT	79,662	56,528	23,134
Z0033700	LONGITUDINAL JOINT SEALANT	FOOT	82,005	54,123	27,882
Z0034105	MATERIAL TRANSFER DEVICE	TON	29,401	19,410	9,991

MODEL: Default
 FILE: \\nas101.psw.ibm.com\data\illinois.gov\PIWDOT\Documents\DOT_Offices\District_9\Projects\78742\CADDData\CAD\Sheets\DS-78742-Sheets.dgn

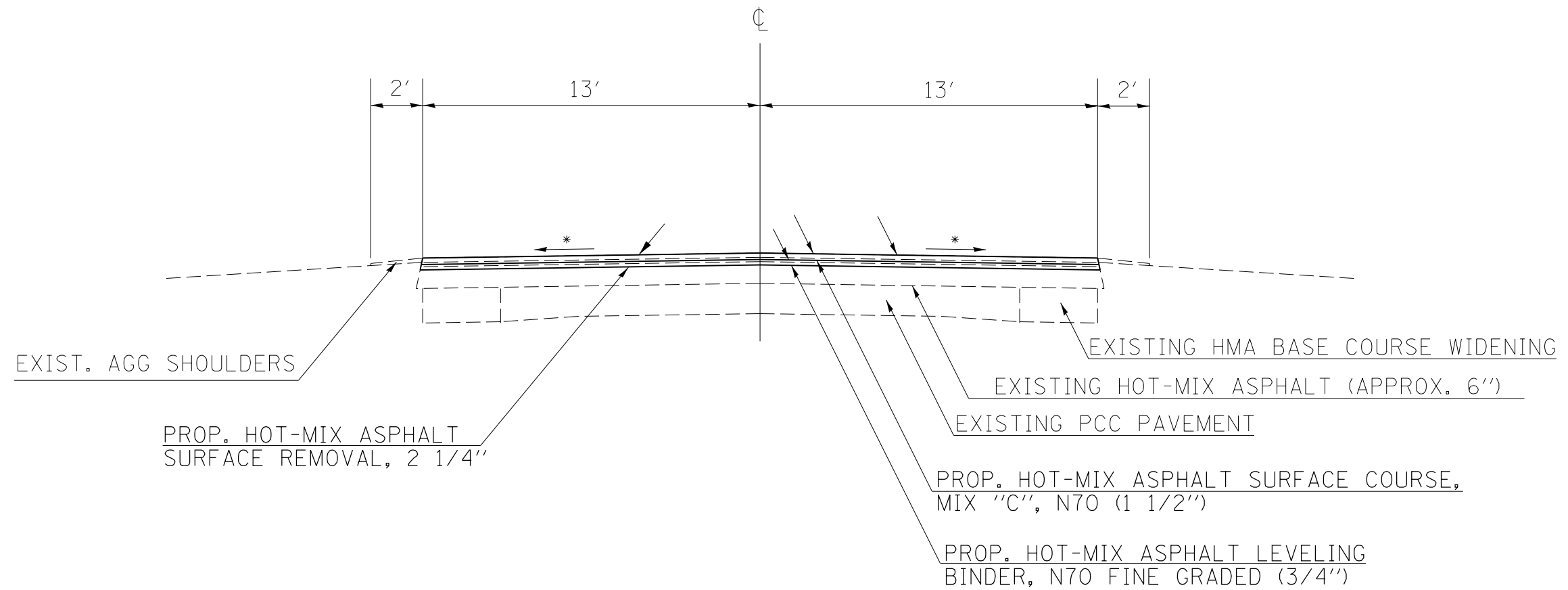
USER NAME = greenleesm	DESIGNED -	REVISED -
	DRAWN -	REVISED -
PLOT SCALE = 100.0000 ' / in.	CHECKED -	REVISED -
PLOT DATE = 5/31/2019	DATE -	REVISED -

**STATE OF ILLINOIS
DEPARTMENT OF TRANSPORTATION**

SCHEDULES			
SCALE:	SHEET	OF	SHEETS
	STA.	TO	STA.

F.A.P. RTE.	SECTION	COUNTY	TOTAL SHEETS	SHEET NO.
132	(102,103)RS-3	MASSAC/POPE	18	7
CONTRACT NO. 78742				
ILLINOIS FED. AID PROJECT				

TYPICAL SECTION



TO BE USED:

STA 211+50 TO STA 303+30.96
 STA 317+61.60 TO STA 738+19.50 (COUNTY LINE)
 STA 738+19.50 (COUNTY LINE) TO STA 1010+24

NOTES: * MATCH EXISTING CROSS SLOPE

LONGITUDINAL JOINT SEALANT (Z0033700) - SHALL BE APPLIED UNDER THE SURFACE COURSE UNDER EACH LANE LINE

MODEL: Default
 FILE: \\nrcs-pub\pubroom\dat\illinois\pwr\DOT\Documents\DOT_Offices\District 9\Projects\78742\CAAD\Drawings\99-78742-Sheets.dgn

USER NAME = greenleesm	DESIGNED -	REVISED -
	DRAWN -	REVISED -
PLOT SCALE = 5,0000' / in.	CHECKED -	REVISED -
PLOT DATE = 5/31/2019	DATE -	REVISED -

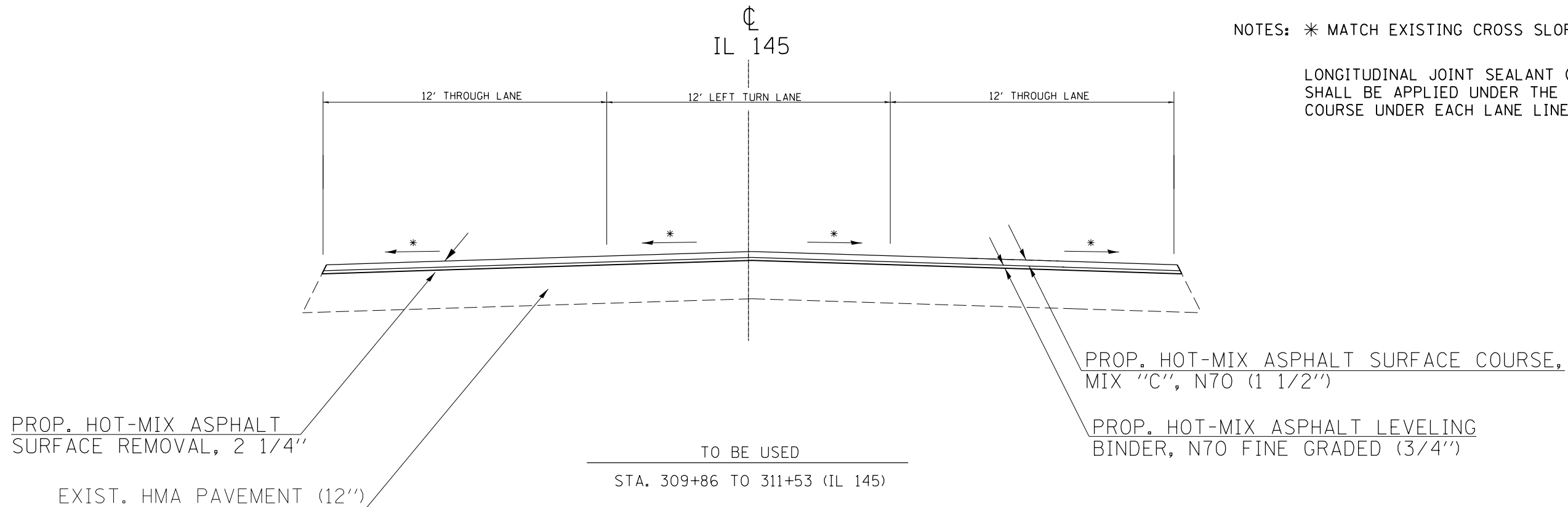
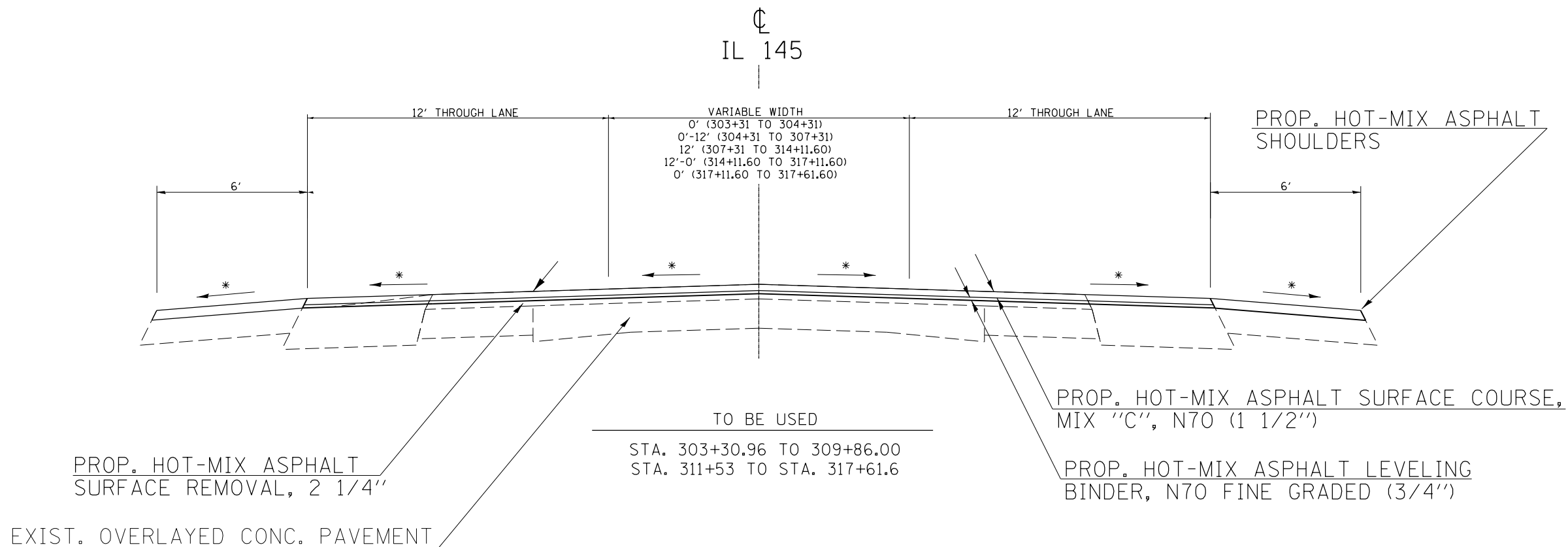
**STATE OF ILLINOIS
 DEPARTMENT OF TRANSPORTATION**

TYPICAL SECTIONS

SCALE: SHEET OF SHEETS STA. TO STA.

F.A.P. RTE.	SECTION	COUNTY	TOTAL SHEETS	SHEET NO.
132	(102,103)RS-3	POPE/MASSAC	18	8
CONTRACT NO. 78742				
		ILLINOIS	FED. AID PROJECT	

TYPICAL SECTION



NOTES: * MATCH EXISTING CROSS SLOPE

LONGITUDINAL JOINT SEALANT (Z0033700) - SHALL BE APPLIED UNDER THE SURFACE COURSE UNDER EACH LANE LINE

MODEL: Default
FILE: \\blm\c:\pub\blm\rooms\dat\illinois\pww\DOT\Documents\DOT_Offices\blm\132\102\103\RS-3\9\Projects\78742\CADD\Drawings\DOT_78742_Sheets.dgn

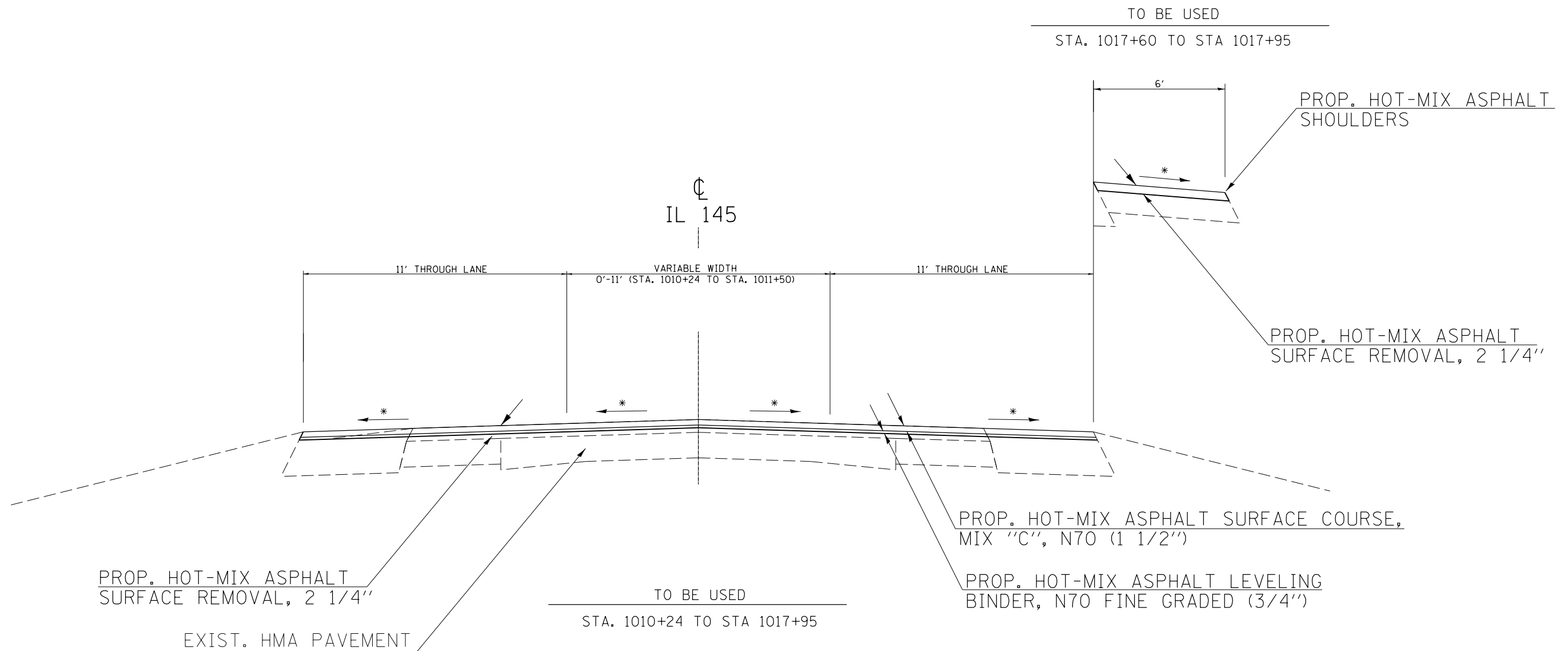
USER NAME = greenleesm	DESIGNED -	REVISED -
	DRAWN -	REVISED -
PLOT SCALE = 5.0000' / in.	CHECKED -	REVISED -
PLOT DATE = 5/31/2019	DATE -	REVISED -

**STATE OF ILLINOIS
DEPARTMENT OF TRANSPORTATION**

TYPICAL SECTIONS	
SCALE:	SHEET OF SHEETS STA. TO STA.

F.A.P. RTE.	SECTION	COUNTY	TOTAL SHEETS	SHEET NO.
132	(102,103)RS-3	POPE/MASSAC	18	9
CONTRACT NO. 78742				
ILLINOIS FED. AID PROJECT				

TYPICAL SECTION



NOTES: * MATCH EXISTING CROSS SLOPE

LONGITUDINAL JOINT SEALANT (Z0033700) - SHALL BE APPLIED UNDER THE SURFACE COURSE UNDER EACH LANE LINE

MODEL: Default
FILE: \\hpc\p\pub\hpc\room\dat\illinois\p\p\WID\DOT\Documents\DOT_Offices\District_9\Projects\78742\CAAD\Drawings\95-78742-Sheets.dgn

USER NAME = greenleesm	DESIGNED -	REVISED -
	DRAWN -	REVISED -
PLOT SCALE = 5,0000' / in.	CHECKED -	REVISED -
PLOT DATE = 5/31/2019	DATE -	REVISED -

**STATE OF ILLINOIS
DEPARTMENT OF TRANSPORTATION**

TYPICAL SECTIONS

SCALE: SHEET OF SHEETS STA. TO STA.

F.A.P. RTE.	SECTION	COUNTY	TOTAL SHEETS	SHEET NO.
132	(102,103)RS-3	POPE/MASSAC	18	10
CONTRACT NO. 78742				
		ILLINOIS	FED. AID PROJECT	

RESURFACING SCHEDULE (1 OF 2)

LOCATION STATION TO STATION	LENGTH	ROADWAY WIDTH @ BEG. STA.	ROADWAY WIDTH @ END STA.	ROADWAY AREA	HMA SURFACE REMOVAL, 2 1/4"	HMA SURFACE REMOVAL, 1 1/4"	HMA SURFACE REMOVAL, VARIABLE DEPTH	HOT-MIX ASPHALT SURFACE COURSE, MIX C, N70	HOT-MIX ASPHALT LEVELING BINDER, N70, IL-9.5 FINE GRADED	BITUMINOUS MATERIALS (TACK COAT)	STRIP REFLECTIVE CRACK CONTROL TREATMENT	RAISED REFLECTIVE PAVEMENT MARKER REMOVAL	RAISED REFLECTIVE PAVEMENT MARKER	LONGITUDINAL JOINT SEALANT	TEMP RAMP	REMARKS
					FOR INFORMATIONAL PURPOSE ONLY											
	FOOT	FOOT	FOOT	SQ YD	SO YD	SO YD	SO YD	TON	TON	POUND	FOOT	EACH	EACH	FOOT	SO YD	
ILLINOIS 145 (FAP 132)																
MASSAC COUNTY (LOCATION 1)																
211+50. TO 221+56.81 BK	1006.81	26	26	2908.6	2,909			245	123	1976	2014	13	13	1007	22	
221+44.16 AH TO 232+70.88 BK	1126.72	26	26	3255.0	3,255			275	138	2212	2253	14	14	1127		
232+71.2 AH TO 303+31.	7059.80	26	26	20395.0	20,395			1721	865	13858	14120	88	88	7060		
303+31. TO 307+31.	400.00	24	36	1333.3	1,333			112	56	906	800	15	15	800		
307+31. TO 314+11.6	680.60	36	36	2722.4	2,722			229	115	1850	1361	18	18	1361		
314+11.6 TO 317+61.6	350.00	36	24	1166.7	1,167			98	49	793	700	8	8	700		
317+61.6 TO 354+43.81 BK	3682.21	26	26	10637.5	10,637			898	451	7228	7364	46	46	3682		
354+64.13 AH TO 439+03.5	8439.37	26	26	24380.4	24,380			2058	1034	16566	16879	105	105	8439		
439+03.5 TO 439+28.5	25.00	26	26	72.2			72	7		49	50	0	0	25		
439+28.5 TO 439+76.	47.50	26	26	137.2		137		10		93		1	1	48		SN 064-0009
439+76. TO 440+01.	25.00	26	26	72.2			72	7		49	50	0	0	25		
440+01. TO 504+89. BK	6488.00	26	26	18743.1	18,743			1582	795	12736	12976	81	81	6488		
504+71.11 AH TO 532+59.65	2788.54	26	26	8055.8	8,056			680	342	5474	5577	35	35	2789		
532+59.65 TO 532+84.65	25.00	26	26	72.2			72	7		49	50	0	0	25		
532+84.65 TO 533+69.65	85.00	26	26	245.6		246		17		167		1	1	85		SN 064-0008
533+69.65 TO 533+94.65	25.00	26	26	72.2			72	7		49	50	0	0	25		
533+94.65 TO 588+86.65 BK	5492.00	26	26	15865.8	15,866			1339	673	10781	10984	69	69	5492		
589+00. AH TO 641+10.66 BK	5210.66	26	26	15053.0	15,053			1271	638	10229	10421	65	65	5211		
640+32.9 AH TO 684+83.79 BK	4450.89	26	26	12858.1	12,858			1085	545	8737	8902	56	56	4451		
685+17.4 AH TO 719+78.4 BK	3461.00	26	26	9998.4	9,998			844	424	6794	6922	43	43	3461		
719+96.4 AH TO 738+19.5	1823.10	26	26	5266.7	5,267			445	223	3579	3646	23	23	1823		
SUB-TOTAL SHEET (1 OF 2)					152,640	383	289	12,938	6,472	104,175	105,119	682	682	54,123	22	

NOTE: HMA "WEDGE" FIGURED INTO QUANTITIES

STATE OF ILLINOIS
DEPARTMENT OF TRANSPORTATION

SCHEDULES

F.A.P. RTE.	SECTION	COUNTY	TOTAL SHEETS	SHEET NO.
132	(102,103)RS-3	MASSAC/POPE	18	11
CONTRACT NO. 78742				
ILLINOIS		FED. AID PROJECT		

SCALE: SHEET OF SHEETS STA. TO STA.

MODEL: Default
FILE: hma132_pavuplanroom.dwg
PROJECT: 78742 CADData\CAD\hres\09-78742-Sheets.dwg

USER NAME = greenleesm	DESIGNED -	REVISED -
	DRAWN -	REVISED -
PLOT SCALE = 100.0000' / in.	CHECKED -	REVISED -
PLOT DATE = 5/31/2019	DATE -	REVISED -

RESURFACING SCHEDULE (2 OF 2)

LOCATION STATION TO STATION	LENGTH	ROADWAY WIDTH @ BEG. STA.	ROADWAY WIDTH @ END STA.	ROADWAY AREA	HMA SURFACE REMOVAL, 2 1/4"	HMA SURFACE REMOVAL, 1 1/4"	HMA SURFACE REMOVAL, VARIABLE DEPTH	HOT-MIX ASPHALT SURFACE COURSE, MIX C, N70	HOT-MIX ASPHALT LEVELING BINDER, N70, 1L-9.5 FINE GRADED	BITUMINOUS MATERIALS (TACK COAT)	STRIP REFLECTIVE CRACK CONTROL TREATMENT	RAISED REFLECTIVE PAVEMENT MARKER REMOVAL	RAISED REFLECTIVE PAVEMENT MARKER	LONGITUDINAL JOINT SEALANT	TEMP RAMP	REMARKS
					FOR INFORMATIONAL PURPOSE ONLY				SO YD	SO YD	SO YD	SO YD	TON	TON	POUND	FOOT
ILLINOIS 145 (FAP 132)	FOOT	FOOT	FOOT	SO YD	SO YD	SO YD	SO YD	TON	TON	POUND	FOOT	EACH	EACH	FOOT	SO YD	
POPE COUNTY (LOCATION 2)																
738+19.5 TO 768+31.63	3012.13	26	26	8701.7	8,702			734	369	5913	6024	38	38	3012		
768+31.63 TO 768+56.63	25.00	26	26	72.2			72	7		49	50	0	0	25		
768+56.63 TO 769+05.47	48.84	26	26	141.1		141		10		96	98	1	1	49		SN 076-0019
769+05.47 TO 769+30.47	25.00	26	26	72.2			72	7		49	50	0	0	25		
769+30.47 TO 810+64.1	4133.63	26	26	11941.6	11,942			1008	506	8114	8267	52	52	4134	22	
OMIT SN 076-0025 FROM CONCRETE APPROACH TO CONCRETE APPROACH	302.6															SN 076-0025
813+66.7 TO 868+00. BK	5433.30	26	26	15696.2	15,696			1325	666	10666	10867	68	68	5433	22	
868+04. AH TO 894+86.7	2682.70	26	26	7750.0	7,750			654	329	5266	5365	34	34	2683	22	
OMIT SN 076-0024 FROM ABUTMENT JOINT TO ABUTMENT JOINT	324.6															SN 076-0024
898+11.3 TO 925+98.97 BK	2787.67	26	26	8053.3	8,053			680	341	5472	5575	35	35	2788	22	
928+25.1 AH TO 954+43.3 BK	2618.20	26	26	7563.7	7,564			638	321	5140	5236	33	33	2618		
954+50. AH TO 1010+24.	5574.00	26	26	16102.7	16,103			1359	683	10942	11148	70	70	5574		
1010+24. TO 1011+50.	126.00	26	33	413.0	413			35	17	281	252	6	6	252		
1011+50. TO 1017+95.	645.00	33	33	2365.0	2,365			199	100	1607	1290	32	32	1290	28	
SUB-TOTAL SHEET (2 OF 2)					78,587	141	144	6,657	3,332	53,594	54,223	368	368	27,882	114	
MASSAC COUNTY TOTAL					152,640	383	289	12,938	6,473	104,175	105,119	682	682	54,123	22	
POPE COUNTY TOTAL					78,587	141	144	6,657	3,333	53,594	54,223	368	368	27,882	114	
PROJECT TOTAL =					231,227	524	433	19,595	9,806	157,769	159,342	1,050	1,050	82,005	136	

NOTE: HMA "WEDGE" FIGURED INTO QUANTITIES

MODEL: Default
FILE: \\hpc\p\pub\hpc\room\dat\illinois\poc\p\WIDOT\Documents\DOT_Offices\Illinet\9\Projects\78742\CADData\CAD\hpc\sheet\09_27\7872-Sheets.dgn

USER NAME = greenleesm	DESIGNED -	REVISED -
	DRAWN -	REVISED -
PLOT SCALE = 100,0000' / in.	CHECKED -	REVISED -
PLOT DATE = 5/31/2019	DATE -	REVISED -

**STATE OF ILLINOIS
DEPARTMENT OF TRANSPORTATION**

SCHEDULES

SCALE: SHEET OF SHEETS STA. TO STA.

F.A.P. RTE.	SECTION	COUNTY	TOTAL SHEETS	SHEET NO.
132	(102,103)RS-3	MASSAC/POPE	18	12
CONTRACT NO. 78742				
ILLINOIS FED. AID PROJECT				

PAVEMENT MARKING SCHEDULE (1 OF 3)

LOCATION STATION TO STATION	LENGTH	THERMOPLASTIC PAVEMENT MARKING						REMARKS	
		LINE 4"				LINE 12"	LINE 24"		LETTERS AND SYMBOLS
		YELLOW		WHITE					
		NO PASSING ZONE NB FOOT	NO PASSING ZONE SB FOOT	SKIP DASH FOOT	SOLID EOP FOOT	FOOT	FOOT		SQ FT
IL 145 (FAP 132)									
MASSAC COUNTY (LOCATION 1)									
211+50. TO 228+71.	1721.0	1734	1734		3467			STATION EQ (+12.65')	
228+71. TO 241+23.	1252.0		1252	313	2503			STATION EQ (-0.32')	
241+23. TO 246+46.	523.0			131	1046				
246+46. TO 255+21.	875.0	875		219	1750				
255+21. TO 257+44.	223.0			56	446				
257+44. TO 265+24.	780.0		780	195	1560				
265+24. TO 288+95.	2371.0			593	4742				
288+95. TO 297+69.	874.0	874		219	1748				
297+69. TO 299+57.	188.0			47	376				
299+57. TO 304+31.	474.0		474	119	948				
304+31. TO 317+11.	1280.0	INTERSECTION OF IL 145 AND COUNTRY CLUB RD./POWERS CHURCH RD. (SEE PVMT. MARK SCHEDULE 2 OF 3)							
317+11. TO 318+85.	174.0	174		44	348				
318+85. TO 323+84.	499.0			125	998				
323+84. TO 329+39.	555.0		555	139	1110				
329+39. TO 329+79.	40.0			10	80				
329+79. TO 340+05.	1026.0	1026		257	2052				
340+05. TO 340+19.	14.0			4	28				
340+19. TO 349+71.	952.0		952	238	1904				
349+71. TO 361+45.	1174.0			288	2307			STATION EQ (-20.32')	
361+45. TO 372+04.	1059.0	1059		265	2118				
372+04. TO 372+81.	77.0			19	154				
372+81. TO 382+01.	920.0		920	230	1840				
382+01. TO 384+16.	215.0			54	430				
384+16. TO 394+16.	1000.0	1000		250	2000				
394+16. TO 395+75.	159.0	159	159		318				
395+75. TO 406+12.	1037.0		1037	259	2074				
406+12. TO 416+06.	994.0			249	1988				
416+06. TO 425+92.	986.0	986		247	1972				
425+92. TO 436+70.	1078.0		1078	270	2156				
436+70. TO 457+32.	2062.0			516	4124				
457+32. TO 468+28.	1096.0	1096		274	2192				
468+28. TO 478+41.	1013.0	1013			2026				
478+41. TO 487+14.	873.0		873	218	1746				
487+14. TO 487+77.	63.0			16	126				
487+77. TO 497+41.	964.0	964		241	1928				
497+41. TO 509+27.	1186.0	1204	1204		2408			STATION EQ (+17.89')	
509+27. TO 520+19.	1092.0		1092	273	2184				
520+19. TO 550+99.	3080.0			770	6160				
550+99. TO 556+28.	529.0	529		132	1058				
556+28. TO 560+77.	449.0			112	898				
560+77. TO 567+31.	654.0		654	164	1308				
567+31. TO 571+24.	393.0			98	786				
571+24. TO 581+67.	1043.0	1043		261	2086				
581+67. TO 633+62.	5195.0	5182	5182		10363			STATION EQ (-13.35')	
633+62. TO 637+20.	358.0		358	90	716				
637+20. TO 640+59.	339.0			85	678				
640+59. TO 651+99.	1140.0	1218		304	2436			STATION EQ (+77.76')	
651+99. TO 691+52.	3953.0	3919	3919		7839			STATION EQ (-33.61')	
691+52. TO 698+27.	675.0		675	169	1350				
698+27. TO 738+19.5	3992.5			994	7949			STATION EQ (-18.0') MAS./POPE COUNTY LINE	
SUB-TOTALS (BY COLUMN)		24054	23910	9550	102824				
SHEET TOTALS (SHEET 1 OF 3)			160339			0	0	0	

MODEL: Default
 FILE: \\s:\pub\harcourt\m\illinois\p\p\DOT\Documents\DOT - Office\DOT\dot - 9\Project\78742\CAD\Drawings\DOT-78742-Sheets.dgn

USER NAME = greenleesm	DESIGNED -	REVISED -
PLOT SCALE = 100,0000' / in.	DRAWN -	REVISED -
PLOT DATE = 5/31/2019	CHECKED -	REVISED -
	DATE -	REVISED -

STATE OF ILLINOIS
DEPARTMENT OF TRANSPORTATION

SCALE:		SHEET	OF	SHEETS	STA.	TO	STA.
--------	--	-------	----	--------	------	----	------

SCHEDULES

F.A.P. RTE.	SECTION	COUNTY	TOTAL SHEETS	SHEET NO.
132	(102,103)RS-3	MASSAC/POPE	18	14
CONTRACT NO. 78742				
ILLINOIS FED. AID PROJECT				

PAVEMENT MARKING SCHEDULE (2 OF 3)

LOCATION STATION TO STATION	LENGTH	THERMOPLASTIC PAVEMENT MARKING						REMARKS	
		LINE 4"				LINE 12"	LINE 24"		LETTERS AND SYMBOLS
		YELLOW		WHITE					
		DOUBLE SOLID FOOT	DOUBLE SOLID X 2 FOOT	SOLID FOOT	SOLID EOP FOOT	FOOT	FOOT		SQ FT
IL 145 (FAP 132)									
MASSAC COUNTY (LOCATION 1)									
304+30.96 TO 307+31.	300.0		1200	600	108				
307+31. TO 309+11.	180.0		720	360	79				
309+11. TO 310+26.	115.0	115		115	230				
309+55							36.4	"ONLY" AND LEFT ARROW	
309+55. TO 311+16.	161.0			300	182	63		SEE PAVEMENT MARKING DETAIL SHEET	
311+16. TO 312+31.	115.0	115		115	230				
311+89.							36.4	"ONLY" AND LEFT ARROW	
312+31. TO 314+11.	180.0		720	360	79				
314+11. TO 317+11.	300.0		1200	600	108				
SUB-TOTALS (BY COLUMN)		230	3840	530	2380				
SHEET TOTALS (SHEET 2 OF 3)			6980		556	63	73		

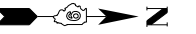
MODEL: Default
FILE: h:\m132_132\pub\planroom.dwg
C:\ProgramData\Autodesk\LT2019\Projects\78742\CADD\Drawings\DOT\Office\Drawings\78742-Sheets.dgn

USER NAME = greenleesm	DESIGNED -	REVISED -
	DRAWN -	REVISED -
PLOT SCALE = 100.0000' / in.	CHECKED -	REVISED -
PLOT DATE = 5/31/2019	DATE -	REVISED -

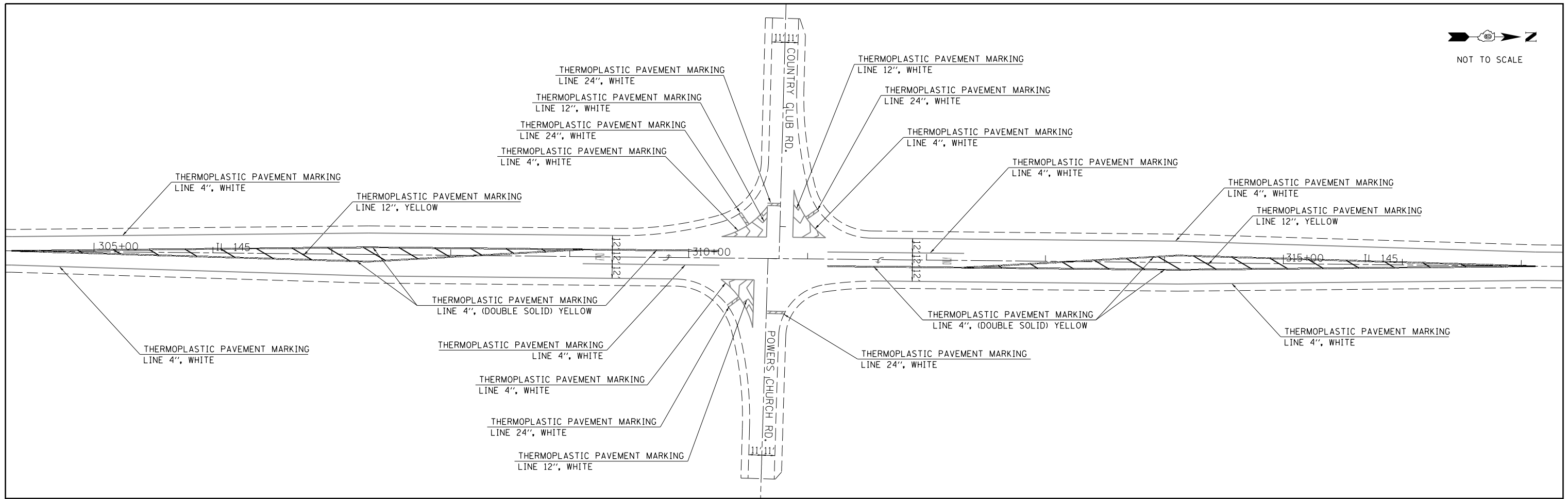
**STATE OF ILLINOIS
DEPARTMENT OF TRANSPORTATION**

SCHEDULES			
SCALE:	SHEET	OF	SHEETS
	STA.	TO	STA.

F.A.P. RTE.	SECTION	COUNTY	TOTAL SHEETS	SHEET NO.
132	(102,103)RS-3	MASSAC/POPE	18	15
CONTRACT NO. 78742			ILLINOIS FED. AID PROJECT	



NOT TO SCALE



MODEL: Default
FILE: h:\mhc\p\pub\harcam\dat\illinois\pwr\p\DOT\Documents\DOT_Offices\District_9\Projects\78742\CADD\Drawings\99-78742-Sheets.dgn

USER NAME = greenleesm	DESIGNED -	REVISED -
	DRAWN -	REVISED -
PLOT SCALE = 83.1508 ' / in.	CHECKED -	REVISED -
PLOT DATE = 5/31/2019	DATE -	REVISED -

**STATE OF ILLINOIS
DEPARTMENT OF TRANSPORTATION**

PAVEMENT MARKING DETAIL

SCALE: SHEET OF SHEETS STA. TO STA.

F.A.P. RTE.	SECTION	COUNTY	TOTAL SHEETS	SHEET NO.
132	(102,103)RS-3	MASSAC/POPE	18	17
CONTRACT NO. 78742				
ILLINOIS FED. AID PROJECT				

