

F.A.P. RTE.	SECTION	COUNTY	TOTAL SHEETS	SHEET NO.
790/311	D3 PATCHING 2017-5	LASALLE	8	1
ILLINOIS			66F46	

1. COVER SHEET
2. GENERAL NOTES
3. SUMMARY OF QUANTITIES
4. TYPICAL SECTIONS
5. SCHEDULES
6. TEMPORARY INFORMATION SIGNING
- 7-8. CLASS B PATCHING DETAILS

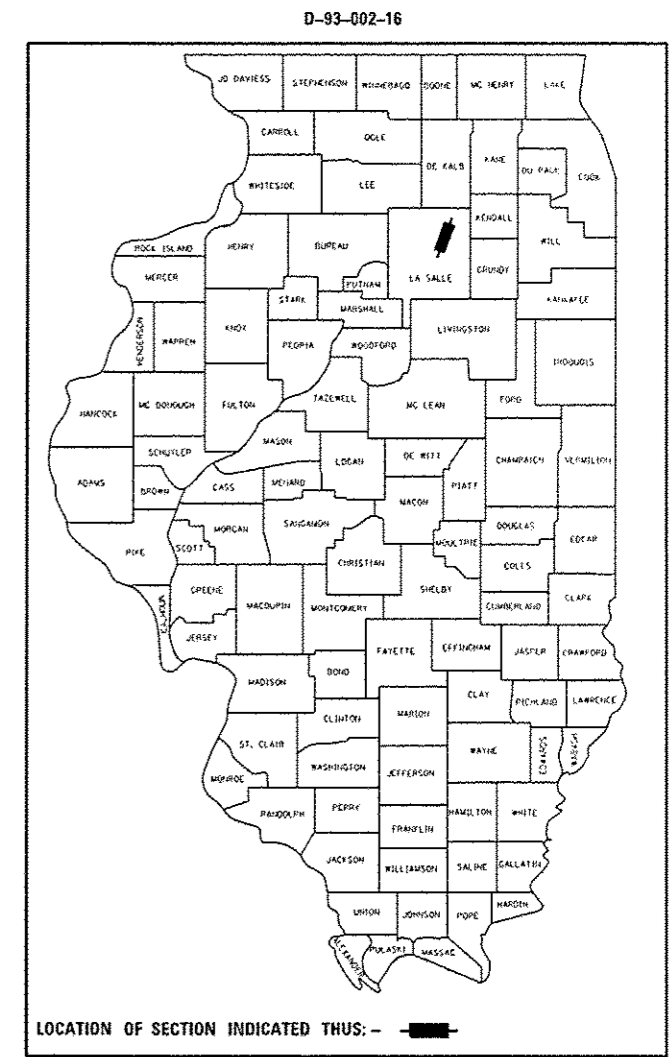
DEPARTMENT OF TRANSPORTATION

PROPOSED HIGHWAY PLANS

F.A.P. 790/311 (IL 71)
SECTION D3 PATCHING 2017-5
PAVEMENT PATCHING CONCRETE SECTION
LASALLE COUNTY

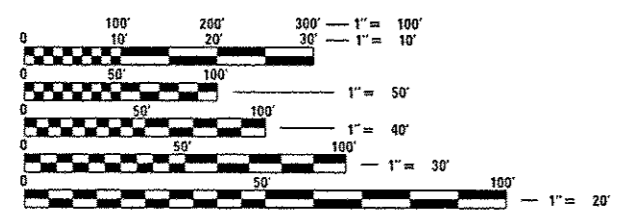
STANDARDS

000001-06	STANDARD SYMBOLS, ABBREVIATIONS AND PATTERNS
001006	DECIMAL OF AN INCH AND OF A FOOT
420701-03	PAVEMENT WELDED WIRE REINFORCEMENT
701006-05	OFF-ROAD OPERATIONS 2L, 2W, 15' (4.5 m) TO 24" (600 mm) FROM PAVEMENT EDGE
701201-04	LANE CLOSURE, 2L, 2W, DAY ONLY, FOR SPEEDS ≥ 45 MPH
701301-04	LANE CLOSURE, 2L, 2W, SHORT TIME OPERATIONS
701901-05	TRAFFIC CONTROL DEVICES



IMPROVEMENT ENDS
F.A.P. 311 (IL 71)
L.M. 0.60
(0.32 MILES NORTH OF I-80)

C-93-080-16

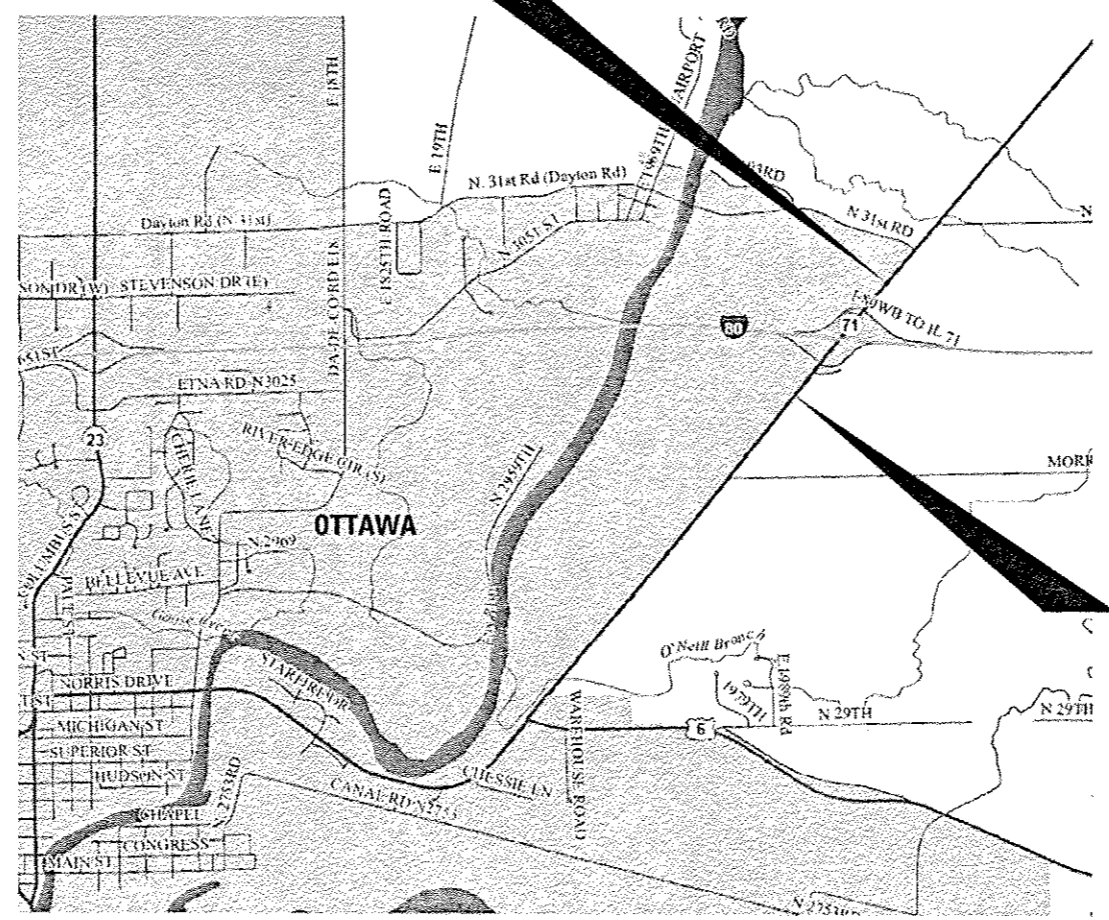


FULL SIZE PLANS HAVE BEEN PREPARED USING STANDARD ENGINEERING SCALES. REDUCED SIZED PLANS WILL NOT CONFORM TO STANDARD SCALES. IN MAKING MEASUREMENTS ON REDUCED PLANS, THE ABOVE SCALES MAY BE USED.

J.U.L.I.E.
JOINT UTILITY LOCATION INFORMATION FOR EXCAVATION
1-800-892-0123
OR 811

PROJECT ENGINEER JOE KANNEL P.E.
UNIT CHIEF RON WOODSHANK

CONTRACT NO. 66F46



IMPROVEMENT BEGINS
F.A.P. 790 (IL 71)
L.M. 0.00
(0.28 MILES SOUTH OF I-80)

GROSS LENGTH = 3168.0 FT. = 0.60 MILE
NET LENGTH = 196.0 FT. = 0.04 MILE

URBAN
MINOR ARTERIAL
IL 71
2015

ADT	6400
P. V.	80.86%
S. U.	10.16%
M. U.	8.98%

STATE OF ILLINOIS
DEPARTMENT OF TRANSPORTATION

SUBMITTED May 19 2016
Paul Coste REGIONAL ENGINEER

July 1 2016
Margaret M. Addis, P.E. ENGINEER OF DESIGN AND ENVIRONMENT

July 1 2016
David A. [Signature] DIRECTOR OF PROGRAM DEVELOPMENT

PRINTED BY THE AUTHORITY
OF THE STATE OF ILLINOIS

GENERAL NOTES

PLAN DIMENSIONS AND DETAILS RELATIVE TO EXISTING PLANS ARE SUBJECT TO NOMINAL CONSTRUCTION VARIATIONS. THE CONTRACTOR SHALL FIELD VERIFY EXISTING DIMENSIONS AND DETAILS AFFECTING NEW CONSTRUCTION AND MAKE NECESSARY APPROVED ADJUSTMENTS PRIOR TO CONSTRUCTION OR ORDERING OF MATERIALS. SUCH VARIATIONS SHALL NOT BE CAUSE FOR ADDITIONAL COMPENSATION FOR A CHANGE IN SCOPE OF WORK; HOWEVER, THE CONTRACTOR WILL BE PAID FOR THE QUANTITY ACTUALLY FURNISHED AT THE UNIT PRICE BID FOR THE WORK.

ALL EXCAVATED MATERIAL, WHICH INCLUDES DIGGING OR GRADING OF ANY SOIL OR FILL MATERIAL, WITH THE EXCEPTION OF AGGREGATE FILLS, MUST BE INCORPORATED WITHIN THE IDOT RIGHT OF WAY DUE TO ENVIRONMENTAL DOCUMENTATION REQUIREMENTS.

ON EXISTING PAVEMENT WHICH MAY BE SUPERELEVATED, THE NEW HMA PAVEMENT SHALL BE BUILT WITH THE SAME SUPERELEVATION UNLESS NEW SUPERELEVATION RATES ARE GIVEN ON THE PLANS.

ANY REFERENCE TO A STANDARD IN THESE PLANS SHALL BE INTERPRETED TO MEAN THE EDITION AS INDICATED BY THE SUBNUMBER SHOWN IN THE LIST OF STANDARDS OR THE COPY INCLUDED IN THESE PLANS.

THE CONTRACTOR SHALL CONTACT JULIE AT LEAST 48 HOURS PRIOR TO EXCAVATION TO DETERMINE WHICH UTILITIES ARE IN THE AREA.

COMMITMENTS

STATE OF ILLINOIS
DEPARTMENT OF TRANSPORTATION
DISTRICT THREE
AS BUILT INFORMATION

SUPERVISING CONSTRUCTION FIELD ENGINEER

RESIDENT ENGINEER / TECHNICIAN

START & END DATES
OF CONSTRUCTION:

INSPECTORS:

DATE: May 19, 2016

PREPARED BY: Tom Bonil
DISTRICT STUDIES & PLANS ENGINEER

EXAMINED BY: Wanda K. Perry
DISTRICT CONSTRUCTION ENGINEER

Wayne Phillips
DISTRICT MATERIALS ENGINEER

Tom Hefner
DISTRICT OPERATIONS ENGINEER

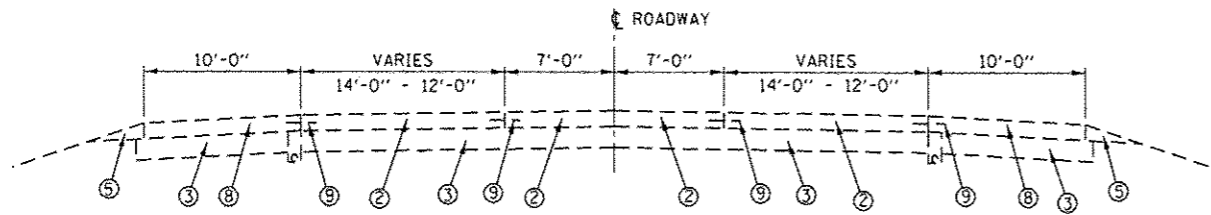
STATE OF ILLINOIS
DEPARTMENT OF TRANSPORTATION

GENERAL NOTES

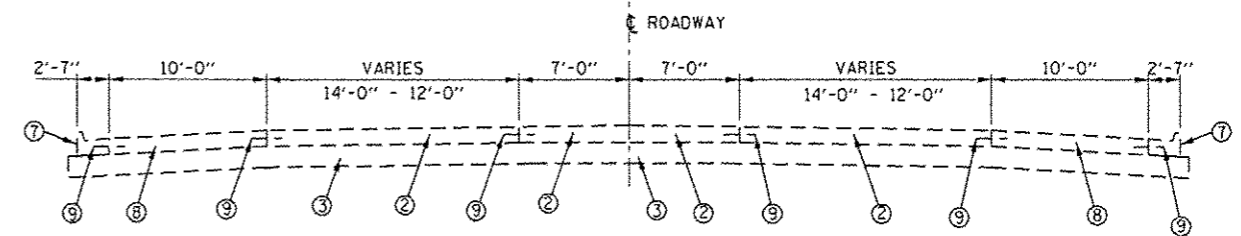
FILE NAME: p:\110846\BID\TEG\Illinois\gov\PK\DOT\Do	USER NAME: woodshankr1	DESIGNED: RW	REVISED: -	STATE OF ILLINOIS DEPARTMENT OF TRANSPORTATION	GENERAL NOTES	F.A.P. RATE: 790/311	SECTION: D3 PATCHING 2017-5	COUNTY: LASALLE	TOTAL SHEETS: 8	SHEET NO.: 2		
	uments\1001\Offices\District 3\Projects\036	DRAWN: Data\B3\RW\6-shs-details.dgn	REVISED: -			SCALE: SHEET 1 OF 1 SHEETS	STA. TO STA.	ILLINOIS FED. AID PROJECT				
	PLOT SCALE: 100.0000 / in.	CHECKED: EP	REVISED: -									
Default	PLOT DATE: 5/17/2016	DATE: 5/2/2016	REVISED: -									

CODE NO.	ITEM	UNIT	TOTAL QUANTITY	CONSTR. CODE
				CONT. MAINT.
				100% STATE
				ROADWAY
				0005
				URBAN
44200050	WELDED WIRE REINFORCEMENT	SO YD	101	101
44200956	CLASS B PATCHES, TYPE II, 9 INCH	SO YD	209	209
44200962	CLASS B PATCHES, TYPE III, 9 INCH	SO YD	24	24
44200964	CLASS B PATCHES, TYPE IV, 9 INCH	SO YD	77	77
44201299	DOWEL BARS 1 1/2"	EACH	560	560
44213200	SAW CUTS	FOOT	1776	1776
44213204	TIE BARS 3/4"	EACH	57	57
67100100	MOBILIZATION	LSUM	1	1
X7010520	TRAFFIC CONTROL AND PROTECTION, STANDARD 701201 (SPECIAL)	LSUM	1	1
Z0030850	TEMPORARY INFORMATION SIGNING	SO FT	42	42

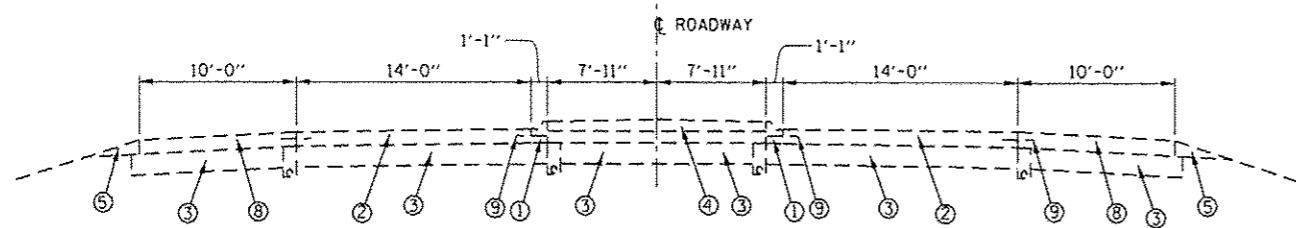
10



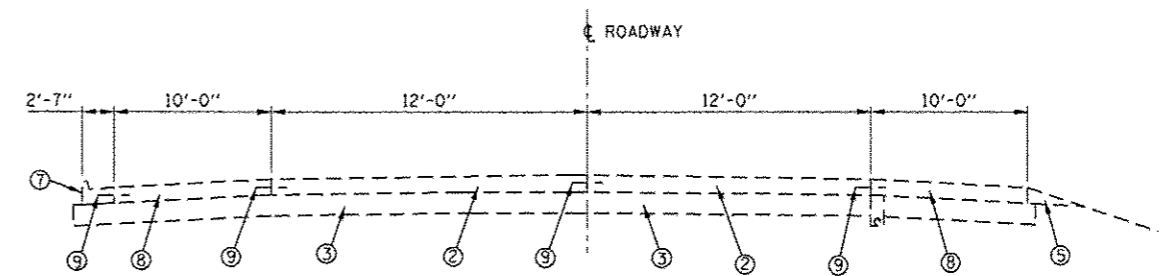
TYPICAL SECTION 1
L.M. 0.00 - L.M. 0.12



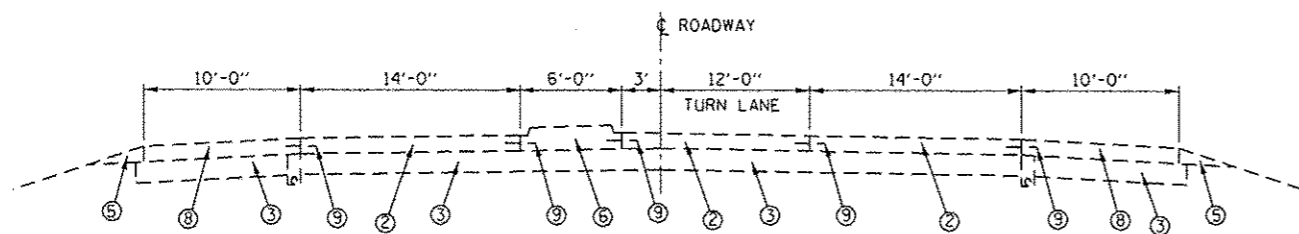
TYPICAL SECTION 4
L.M. 0.45 - L.M. 0.55



TYPICAL SECTION 2
L.M. 0.12 - L.M. 0.15
L.M. 0.25 - L.M. 0.31 STRUCTURE OMISSION
L.M. 0.43 - L.M. 0.45



TYPICAL SECTION 5
L.M. 0.55 - L.M. 0.60



TYPICAL SECTION 3
L.M. 0.17 - L.M. 0.25
L.M. 0.31 - L.M. 0.40

KEY

- ① COMBINATION CONCRETE CURB AND GUTTER M 4.06
- ② PORTLAND CEMENT CONCRETE PAVEMENT 9 1/2" (HINGED JOINTED)
- ③ SUB-BASE GRANULAR MATERIAL, TYPE A-12"
- ④ CONCRETE MEDIAN SURFACE, 6"
- ⑤ AGGREGATE SHOULDER, TYPE B
- ⑥ CONCRETE MEDIAN, TYPE, TYPE SM 4.06
- ⑦ COMBINATION CONCRETE CURB AND GUTTER B 6.24
- ⑧ PORTLAND CEMENT CONCRETE SHOULDER 9 1/2"
- ⑨ 3/4" Ø TIE BAR

FILE NAME :	USER NAME :	DESIGNED - RW	REVISED -	STATE OF ILLINOIS DEPARTMENT OF TRANSPORTATION	TYPICAL SECTIONS			F.A.P. RTE.	SECTION	COUNTY	TOTAL SHEETS	SHEET NO.
PROJECT :	PROJECT :	DRAWN :	REVISED :					790/311	D3 PATCHING 2017-5	LASALLE	8	4
PRINT SCALE :	PRINT SCALE :	CHECKED - EP	REVISED -		CONTRACT NO. 66F46							
DATE :	DATE :	DATE - 5/2/2016	REVISED -		ILLINOIS FED. AID PROJECT							
				SCALE:	SHEET 1	OF 1	SHEETS	STA.	TO STA.			

SCHEDULE - CLASS B PATCHING

LOCATION	EASTBOUND DRIVE LANE				EASTBOUND TURN LANE				
	PATCH LENGTH	CLASS B TYPE II 9"	DOWEL BARS 1 1/2"	SAW CUTS	PATCH LENGTH	CLASS B TYPE II 9"	DOWEL BARS 1 1/2"	SAW CUTS	
	LOG MILE	(FT)	SO YD	EACH	FOOT	(FT)	SO YD	EACH	FOOT
0.0	6	9	24	60					
0.0	6	9	24	60					
0.0	6	9	24	60					
0.0	6	9	24	60					
0.1	6	9	24	60					
0.1	6	9	24	60					
0.1	6	9	24	60					
0.1	18		24	96					
0.2	8	12	24	66					
0.3					8	12	24	66	
0.3					6	9	24	60	
SUBTOTALS	68	75	216	582	14	22	48	126	

PATCHING TOTALS FOR EASTBOUND LANES

CLASS B TYPE II 9"	DOWEL BARS 1 1/2"	SAW CUTS 3/4"
SO YD	EACH	FOOT
97	264	708

SCHEDULE - CLASS B PATCHING

LOCATION	WESTBOUND DRIVE LANE							WESTBOUND TURN LANE						
	PATCH LENGTH	CLASS B TYPE II 9" / TYPE IV 9"		DOWEL BARS	SAW CUTS	WELDED WIRE REINF.	TIE BARS	PATCH LENGTH	CLASS B TYPE II 9" / TYPE IV 9"	DOWEL BARS	SAW CUTS	TIE BARS		
	LOG MILE	(FT)	SO YD	SO YD	EACH	FOOT	SO YD	EACH	(FT)	SO YD	SO YD	EACH	FOOT	EACH
0.6	6	9		24	60									
0.5	6	9		24	60									
0.5	6	9		24	60									
0.5	6	9		24	60									
0.4	6	9		24	60									
0.4	6	9		24	60									
0.4	8	12		24	66									
0.4	6	9		24	60									
0.4	30		47	24	132	47	15							
0.3	28		44	24	126	44	14							
0.3														
0.3								28			44	20	120	28
0.3	6	9		24	60			6	9		20	54		
0.3														
0.2								6	9		20	54		
0.1	8	12		24	66			6	9		20	54		
0.1	6	9		24	60									
SUBTOTALS	128	105	91	312	930	91	29	46	27	44	80	282	28	

PATCHING TOTALS FOR WESTBOUND LANES

CLASS B TYPE II 9"	TYPE IV 9"	DOWEL BARS	SAW CUTS	WELDED WIRE REINF.	TIE BARS
SO YD	SO YD	EACH	FOOT	SO YD	EACH
132	135	392	1212	91	57

STATE OF ILLINOIS
DEPARTMENT OF TRANSPORTATION

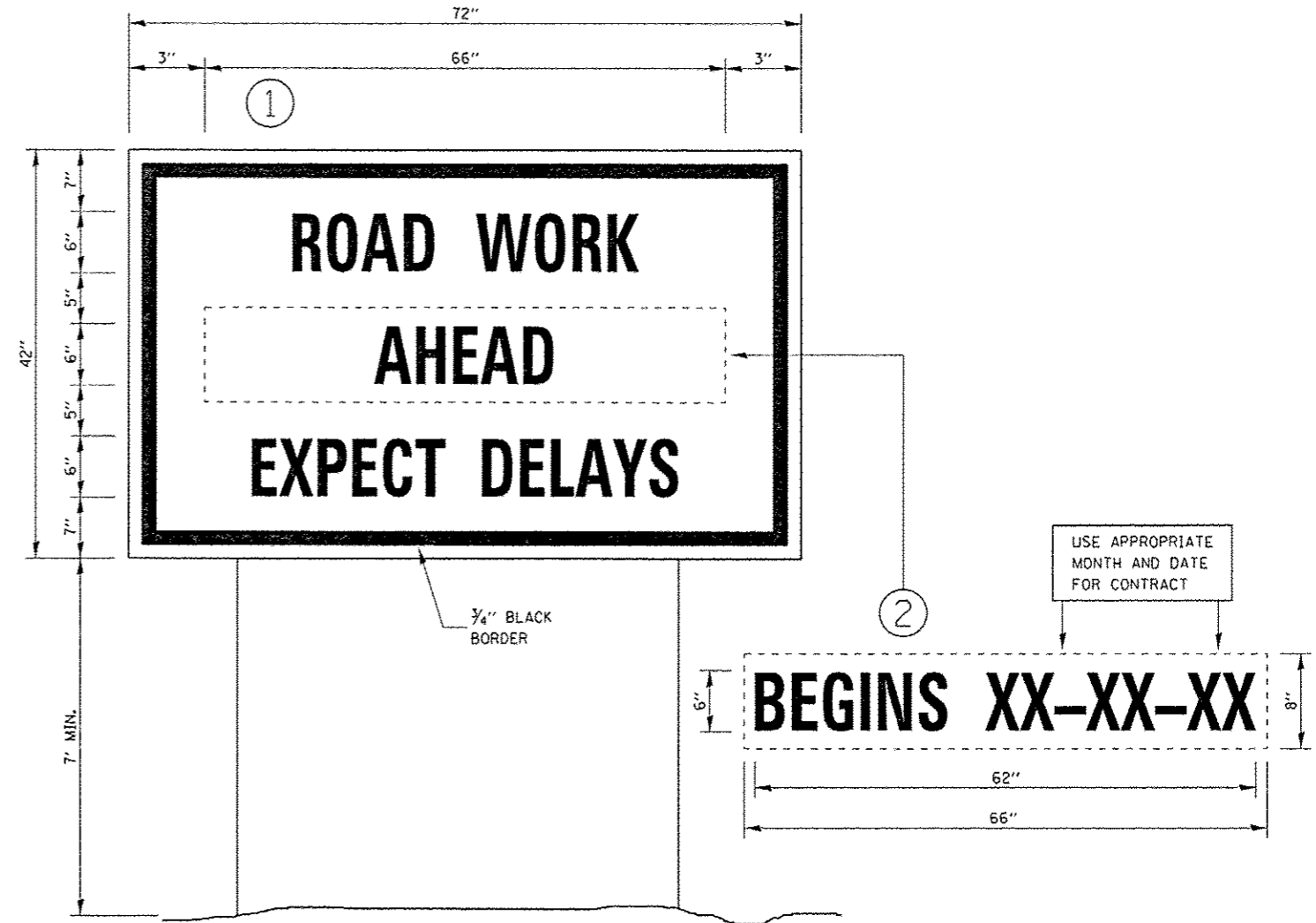
SCHEDULES

F.A.P. RTE.	SECTION	COUNTY	TOTAL SHEETS	SHEET NO.
790/311	03 PATCHING 2017-5	LASALLE	8	5
CONTRACT NO. 66F46				

FILE NAME	USER NAME	DESIGNED	REVISED
D:\V\160846\BIBITEG\Illinois.gis\DWG007.Dwg	wms\jshank1	RW	-
		DRAWN	REVISED
		EP	-
Default	DATE	DATE	REVISED
	5-18-2016	5/2/2016	-

SCALE: SHEET 1 OF 1 SHEETS STA. TO STA.

ILLINOIS FED. AID PROJECT

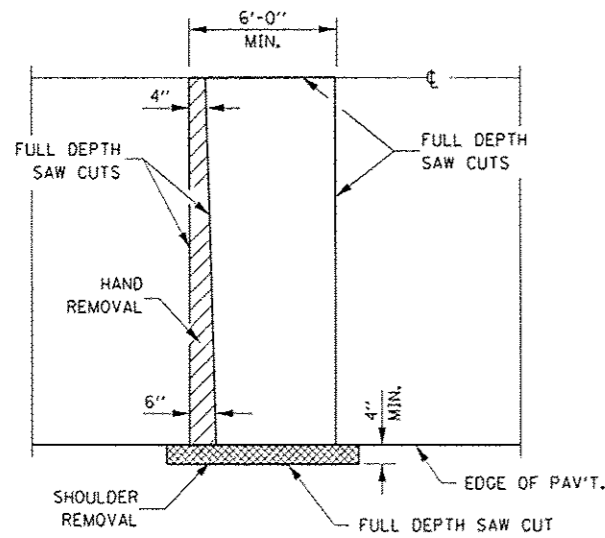


TEMPORARY INFORMATION SIGNING

NOTES:

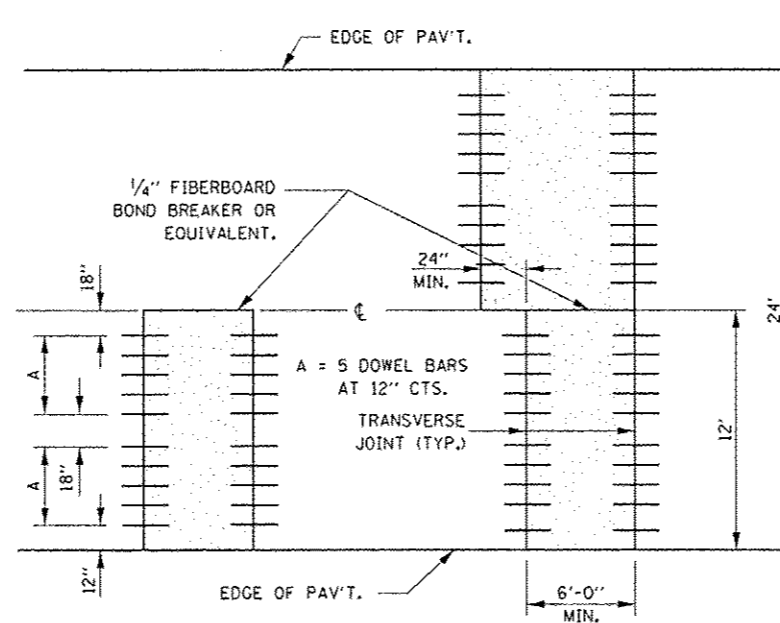
1. USE 6" D BLACK LETTERING ON FLOURESENT ORANGE BACKGROUND.
2. ERECT SIGNS AT LOCATIONS IN ADVANCE OF THE "ROAD CONSTRUCTION AHEAD" SIGNS AS DIRECTED BY THE ENGINEER.
3. ERECT SIGN ① WITH INSTALLED PANEL ② A MINIMUM OF ONE WEEK PRIOR TO THE START OF THE LANE CLOSURE.
4. REMOVE PANEL ② ON THAT DATE.
5. SEE SPECIAL PROVISION "TEMPORARY INFORMATION SIGNING" FOR ADDITIONAL INFORMATION.
6. WILL BE PAID FOR PER SO FT AS "TEMPORARY INFORMATION SIGNING". EACH SIGN = 21 SO FT AND THE DATE PANEL ② WILL NOT BE MEASURED SEPARATELY FOR PAYMENT.

FILE NAME :	USER NAME : woodshark1	DESIGNED - RW	REVISED -	STATE OF ILLINOIS DEPARTMENT OF TRANSPORTATION	TEMPORARY INFORMATION SIGNING DETAILS	F.A.P. RTE.	SECTION	COUNTY	TOTAL SHEETS	SHEET NO.
path\1884EBID\ITC\Illinois.gov\PM1001\Documents\DOT Offices\District 2\Projects\0304\DRAWN\0304RW46-shc-details.dgn	DRAWN	REVISED -	790/311			D3 PATCHING 2017-5	LASALLE	8	6	
Plot SCALE : 1/8"=1'-0"	CHECKED - EP	REVISED -	CONTRACT NO. 66F46							
Default	DATE - 5/2/2016	REVISED -	SCALE:			SHEET 1 OF 1 SHEETS	STA. TO STA.	ILLINOIS FED. AID PROJECT		

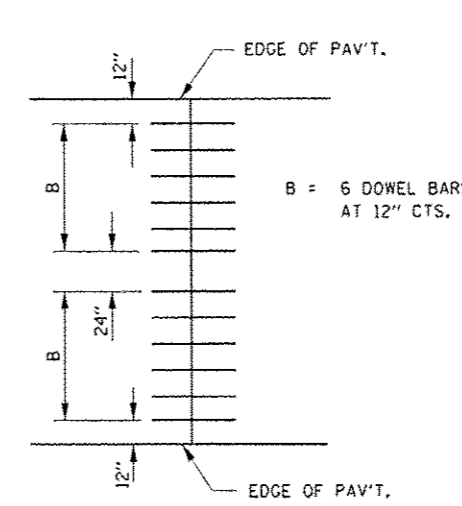


PAVEMENT SAWING DETAIL

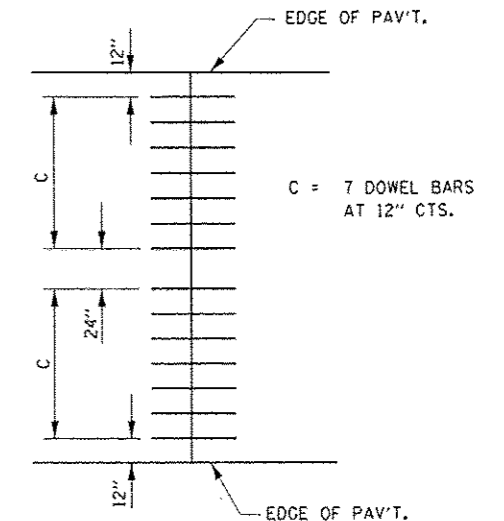
(HMA SHOULDER)



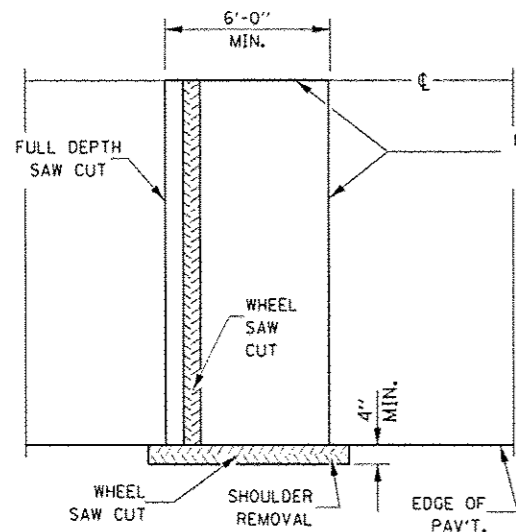
12' WIDE LANES



14' WIDE RAMP

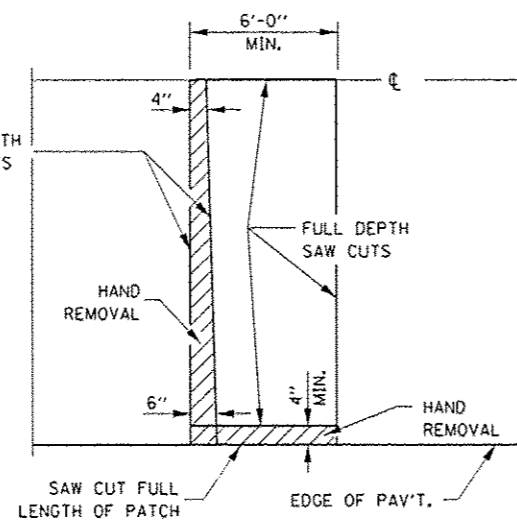


16' WIDE RAMP



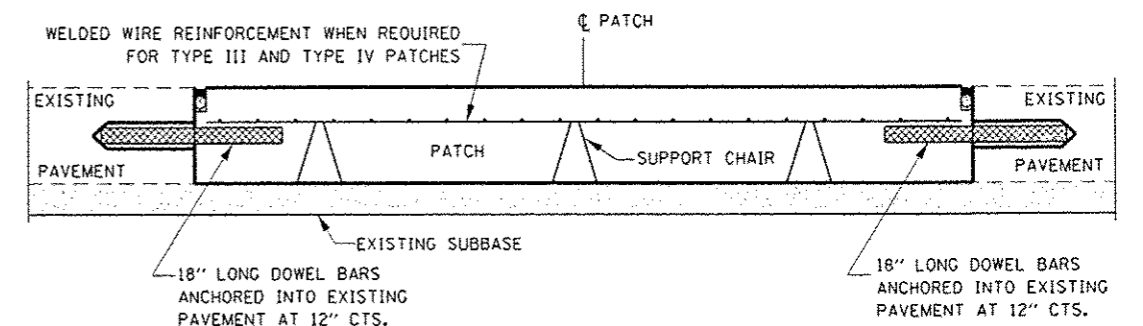
ALTERNATE SAWING DETAIL

(HMA SHOULDER)

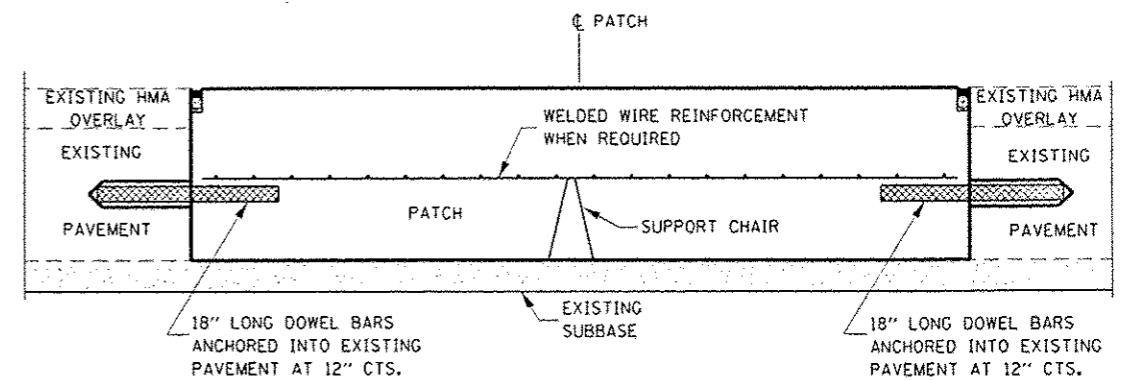


PAVEMENT SAWING DETAIL

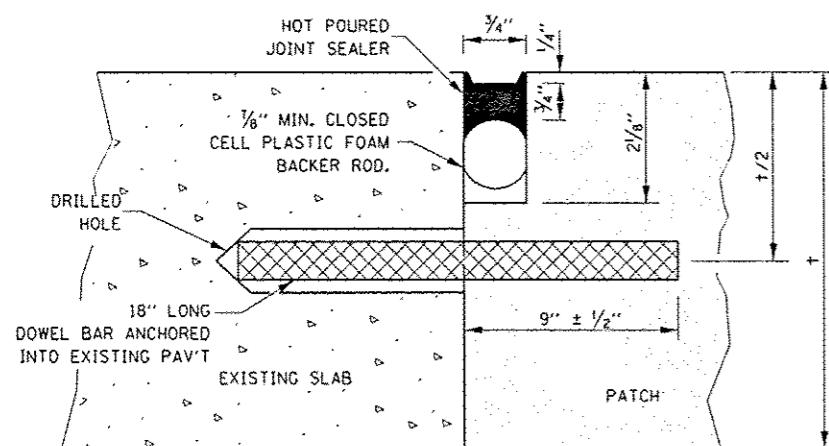
(PCC SHOULDER)



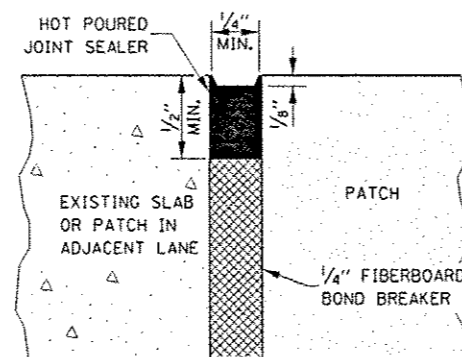
PATCHING WITHOUT HMA OVERLAY



PATCHING WITH HMA OVERLAY



TRANSVERSE JOINT



CENTERLINE JOINT

DOWEL BAR TABLE		
PAVEMENT THICKNESS	DOWEL BAR DIAMETER	HOLE DIAMETER
8" OR GREATER	1 1/2"	1 5/8"
7" THRU 7.99"	1 1/4"	1 3/8"
LESS THAN 7"	1"	1 1/8"

GENERAL NOTES

THE TRANSVERSE JOINTS FOR CLASS B PATCHES SHALL ALIGN WITH JOINTS OR CRACKS IN THE ADJACENT LANE WHENEVER POSSIBLE.

SEE STANDARD 420701 FOR DETAILS OF PAVEMENT WELDED WIRE REINFORCEMENT.

STATE OF ILLINOIS
DEPARTMENT OF TRANSPORTATION

CLASS B PATCHING DETAILS

SCALE: SHEET 1 OF 2 SHEETS STA. TO STA.

F.A.P. RTE.	SECTION	COUNTY	TOTAL SHEETS	SHEET NO.
790/311	D3 PATCHING 2017-5	LASALLE	8	7
CONTRACT NO. 66F46			ILLINOIS FED. AID PROJECT	

FILE NAME	USER NAME	DESIGNED	REVISED
part\110848\BID\INTEG\illinois\pav\DOT\Documents\DOT Offices\District 3 Projects\033\DRAWING\B3\RW\66f46-ghs-details.dgn	woodshenk1	- RW	-
PLT SCALE = 1/8" = 1'-0"		CHECKED - EP	REVISED -
PLT DATE = 5/17/2016		DATE = 5/2/2016	REVISED -

