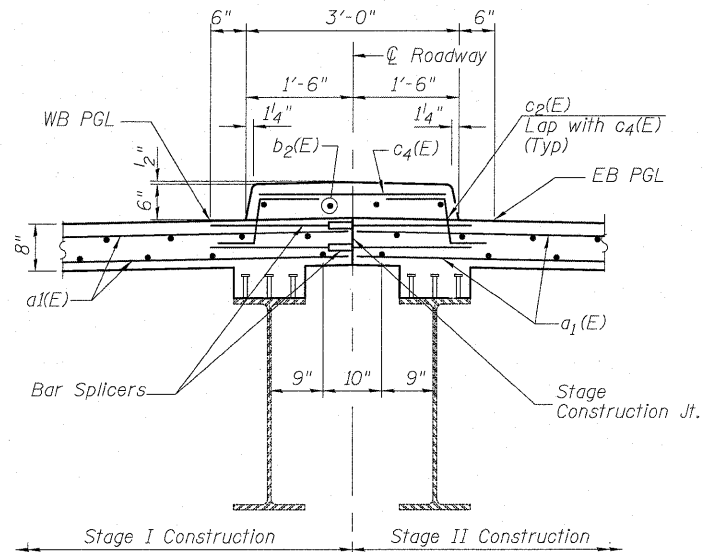
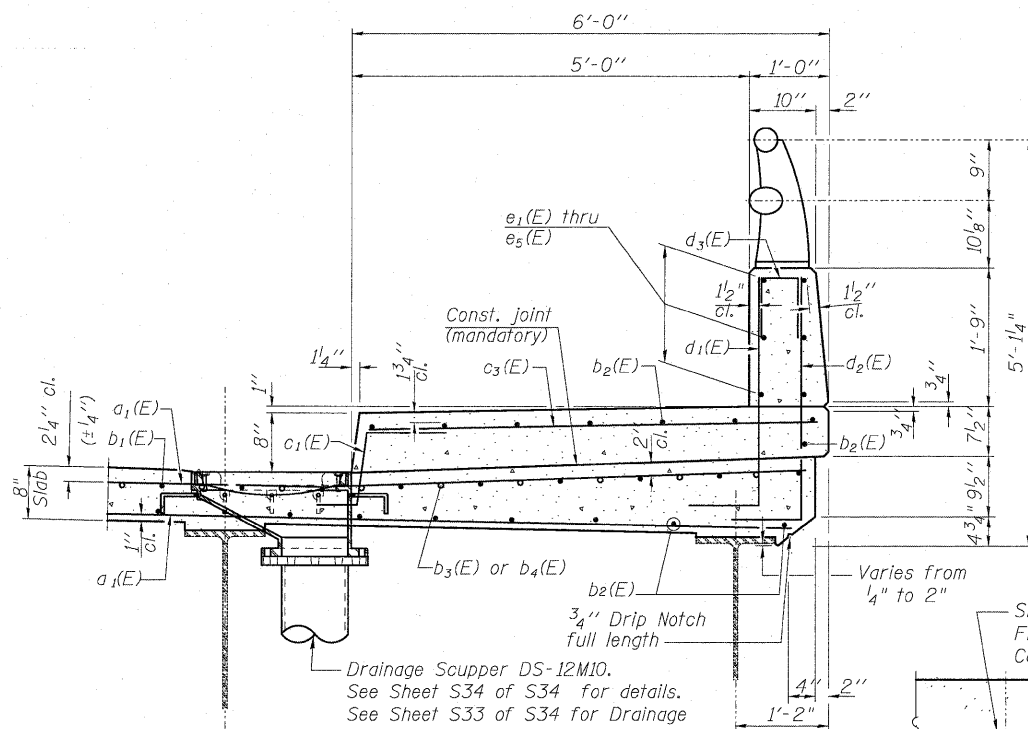


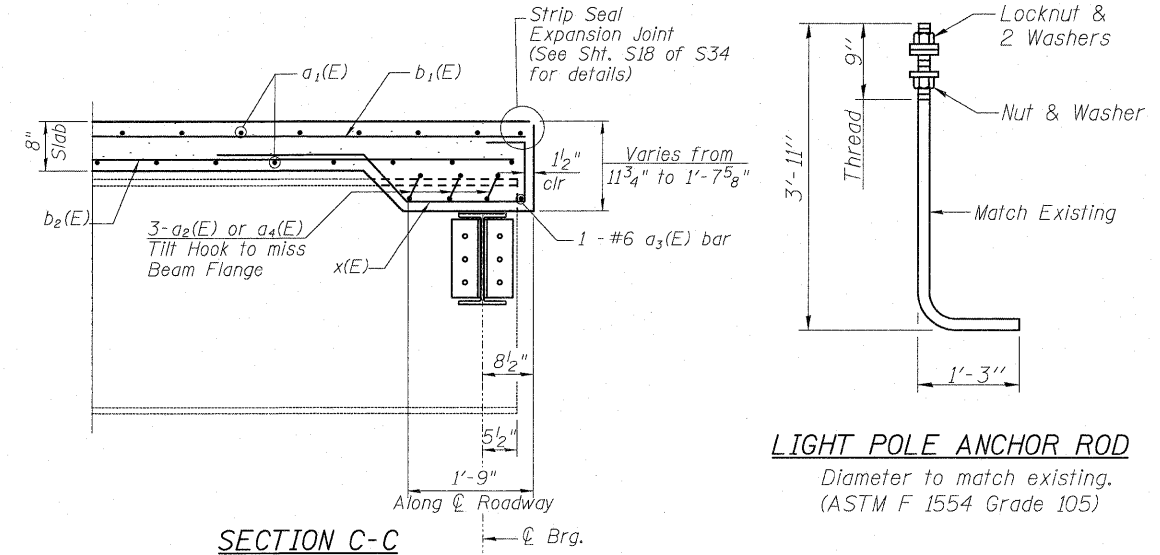
STATE OF ILLINOIS
DEPARTMENT OF TRANSPORTATION



SECTION A-A
Looking East

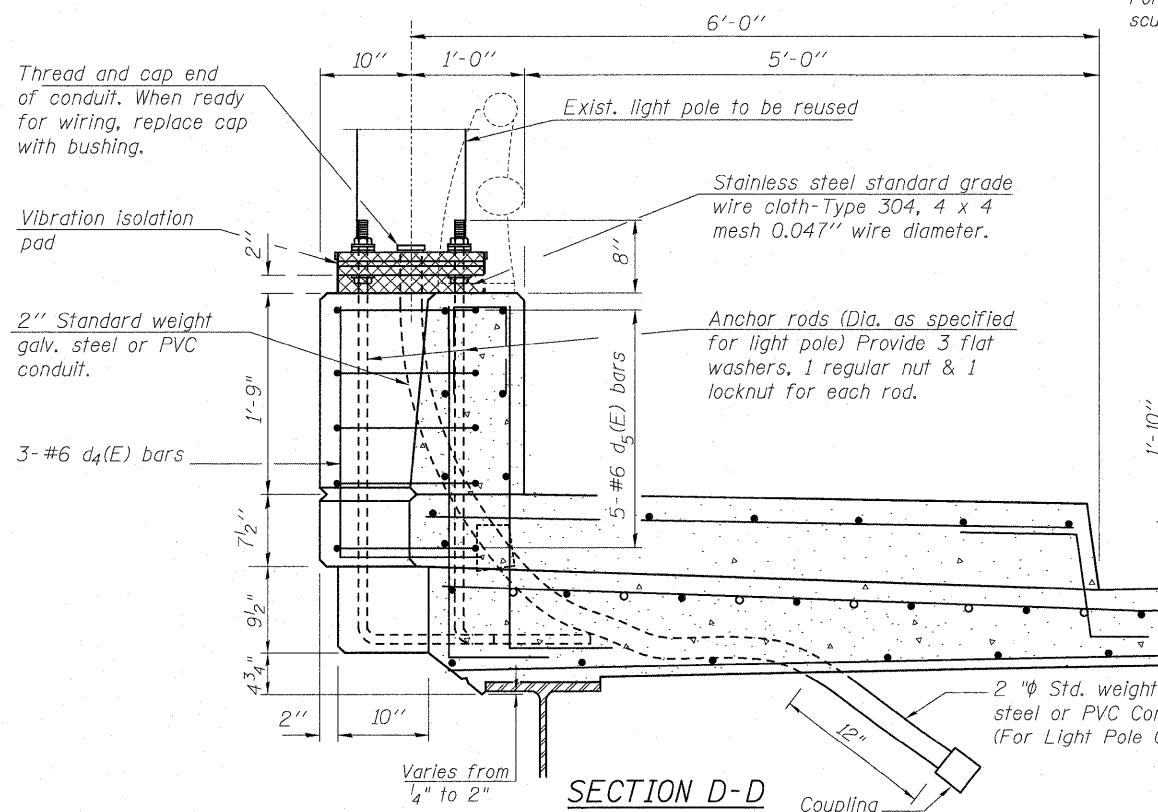


SECTION B-B

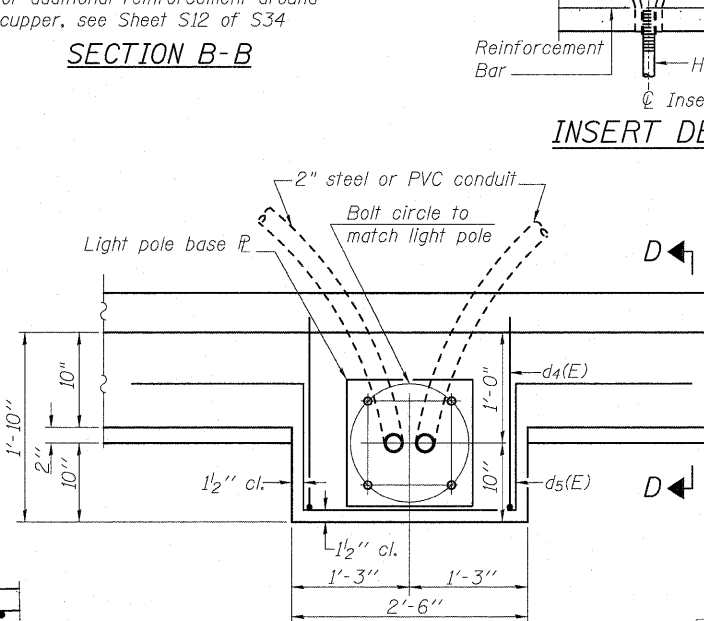


SECTION C-C

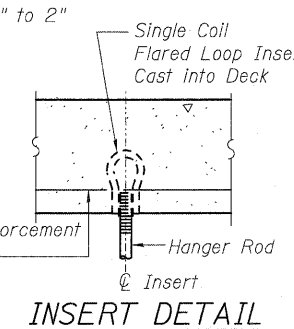
LIGHT POLE ANCHOR ROD
Diameter to match existing.
(ASTM F 1554 Grade 105)



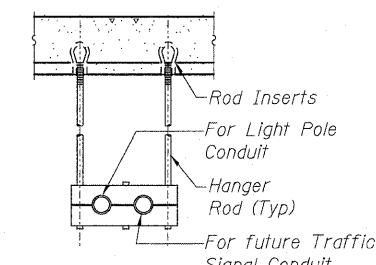
SECTION D-D



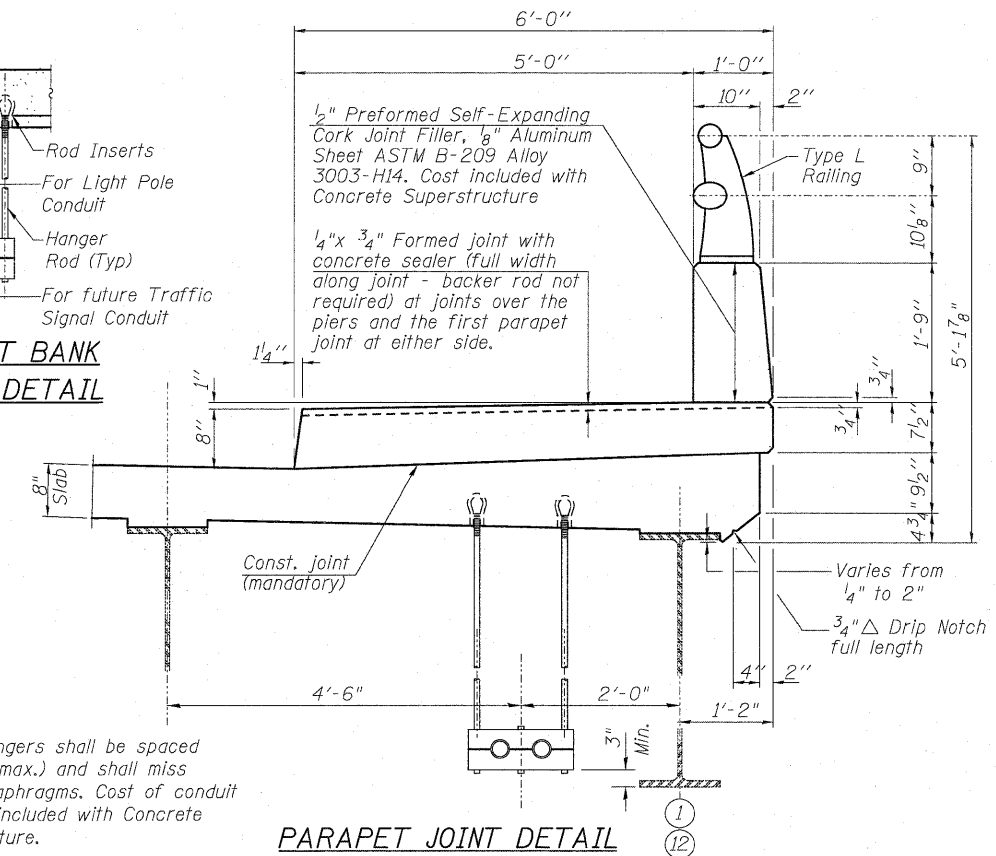
LIGHT POLE PEDESTAL PLAN



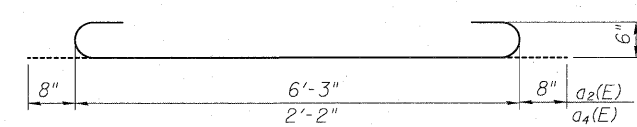
INSERT DETAIL



2 CONDUIT BANK SUPPORT DETAIL



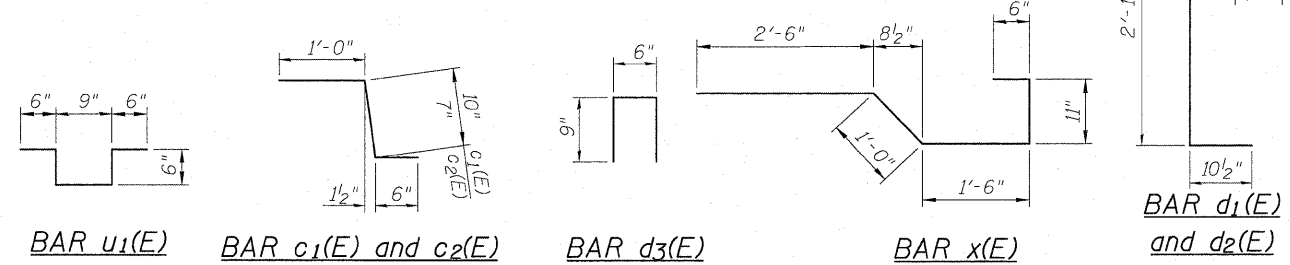
PARAPET JOINT DETAIL



BAR a2(E) and a4(E)

Note:
Order bar a4(E) in full length & cut bar in field & splice with Bar Splicer.

SUPERSTRUCTURE DETAILS
STRUCTURE NO. 016-0519



BAR u1(E) **BAR c1(E) and c2(E)** **BAR d3(E)** **BAR x(E)** **BAR d1(E) and d2(E)**

DESIGNED	JPM
CHECKED	TG
DRAWN	MPS
CHECKED	JPM, TG



180 S. WACKER DRIVE SUITE 700 CHICAGO IL 60606 • P312-686-8918 F312-686-8415

SHEET NO. S13	F.A.U. RTE.	SECTION	COUNTY	TOTAL SHEETS	SHEET NO.
	1548	461 (VB&VF) I	COOK	52	25
S34 SHEETS	CONTRACT NO. 60H65				
DATE: 06-22-2010		ILLINOIS		FED. AID PROJECT	