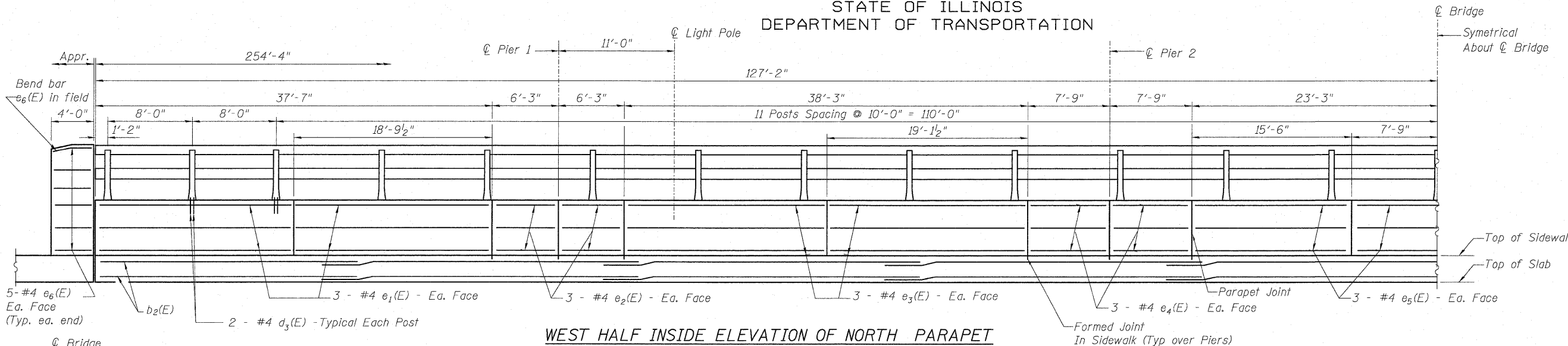
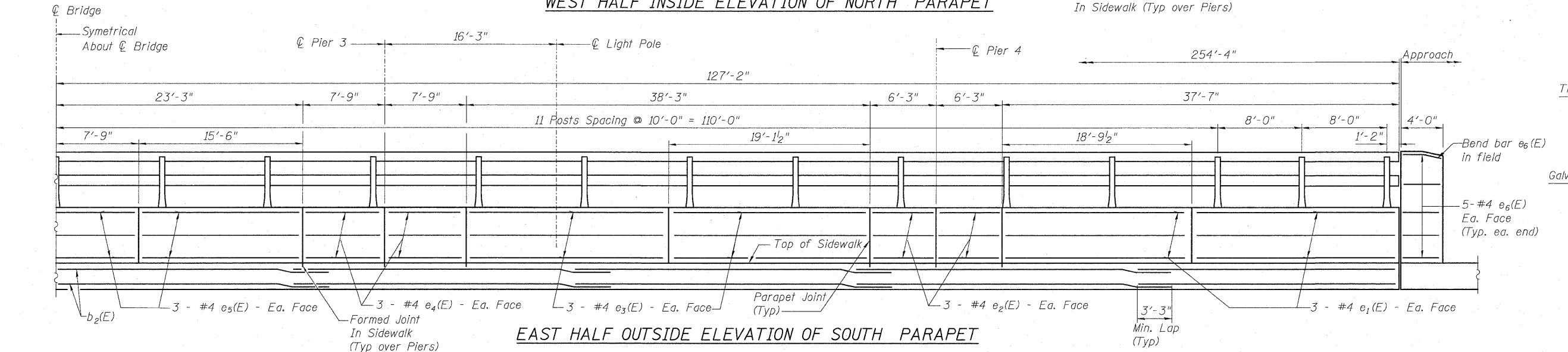


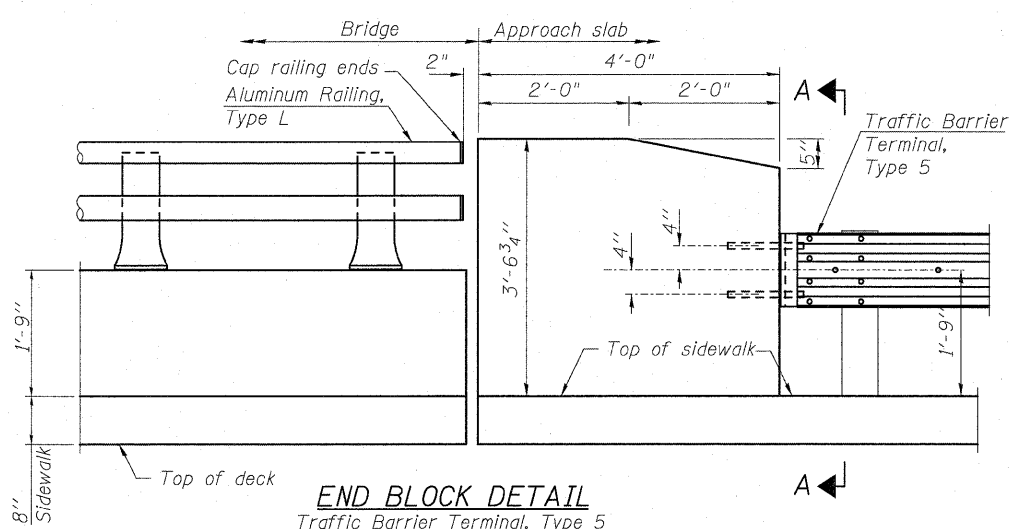
STATE OF ILLINOIS  
DEPARTMENT OF TRANSPORTATION



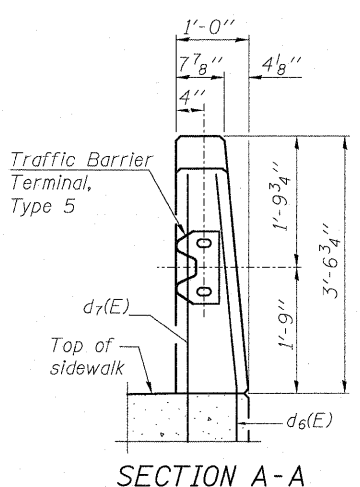
WEST HALF INSIDE ELEVATION OF NORTH PARAPET



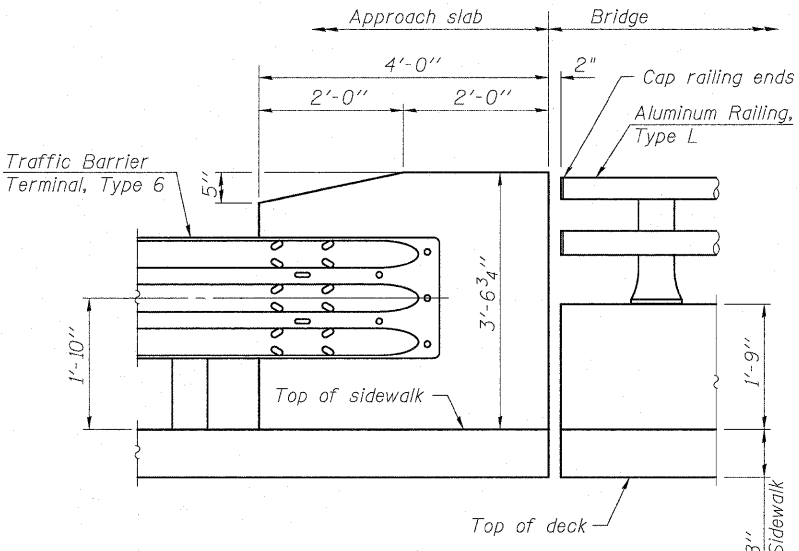
EAST HALF OUTSIDE ELEVATION OF SOUTH PARAPET



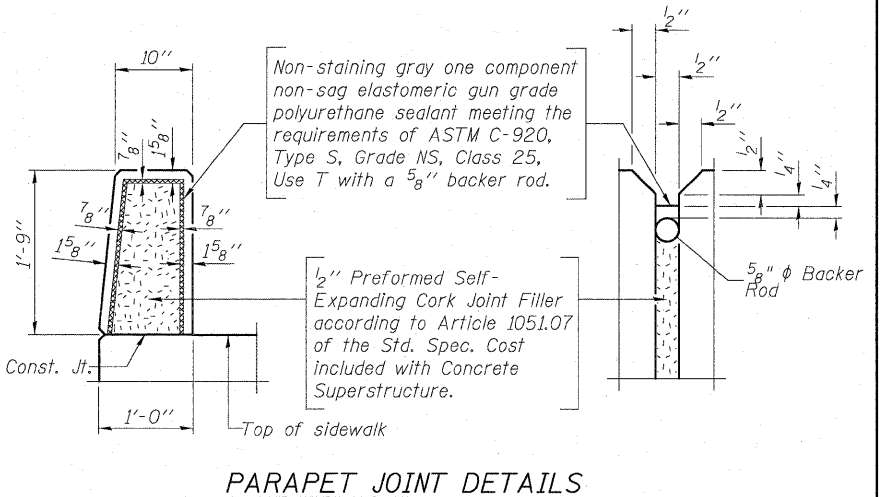
END BLOCK DETAIL  
Traffic Barrier Terminal, Type 5



SECTION A-A



END BLOCK DETAIL  
Traffic Barrier Terminal, Type 6



PARAPET JOINT DETAILS

SUPERSTRUCTURE PARAPET  
ELEVATIONS AND DETAILS  
STRUCTURE NO. 016-0519

|          |         |
|----------|---------|
| DESIGNED | JPM     |
| CHECKED  | TG      |
| DRAWN    | MPS     |
| CHECKED  | JPM, TG |



|                  |             |                           |                    |              |           |
|------------------|-------------|---------------------------|--------------------|--------------|-----------|
| SHEET NO. S14    | F.A.U. RTE. | SECTION                   | COUNTY             | TOTAL SHEETS | SHEET NO. |
|                  | 1548        | 461 (VB&VF) I             | COOK               | 52           | 26        |
| S34 SHEETS       |             |                           | CONTRACT NO. 60H65 |              |           |
| DATE: 06-22-2010 |             | ILLINOIS FED. AID PROJECT |                    |              |           |