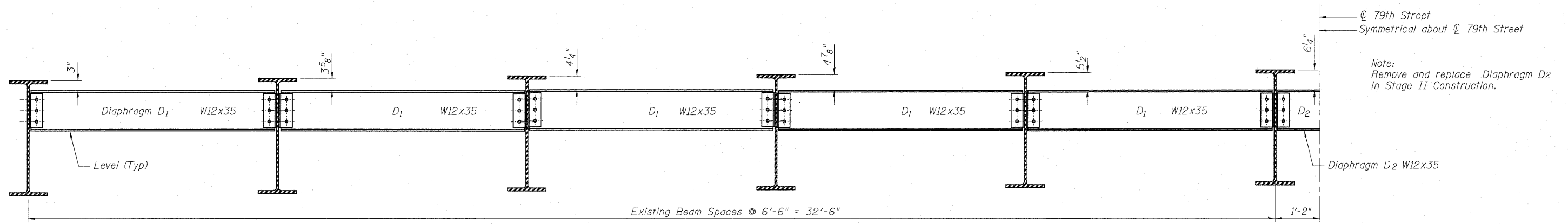
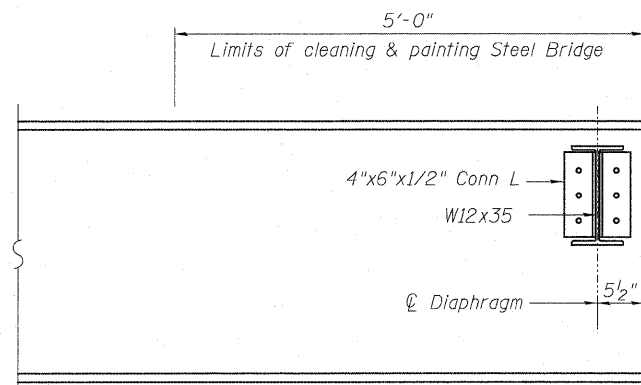


STATE OF ILLINOIS
DEPARTMENT OF TRANSPORTATION

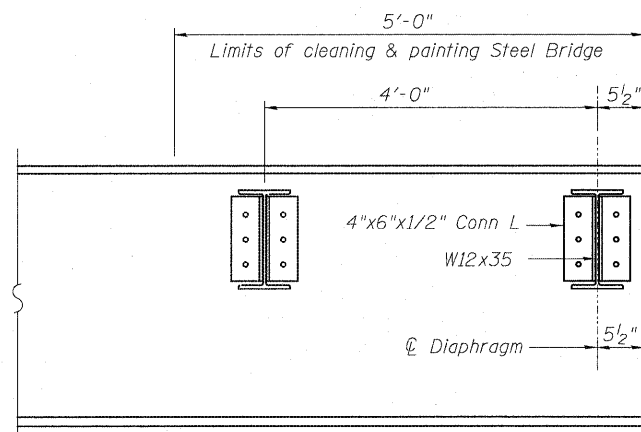


VIEW D-D
Looking West



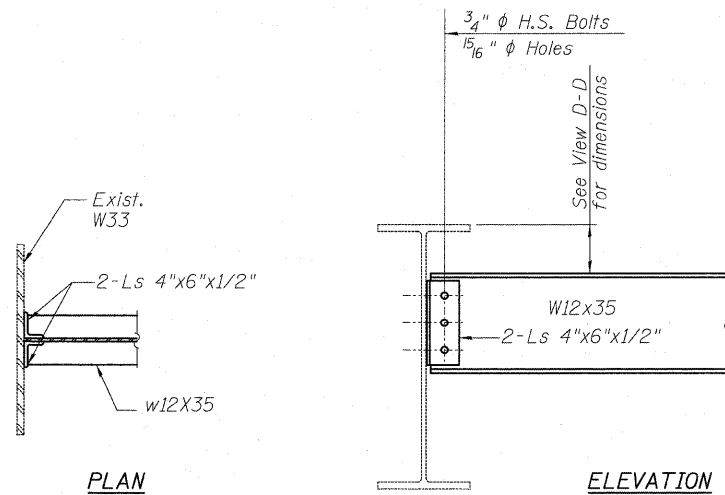
SECTION C-C

(Typ between Beams 2 & 6 and 7 & 11)



SECTION E-E

(Typ between Beams 1 & 2 and 11 & 12)



PROPOSED EXTERIOR DIAPHRAGM "D1" DETAIL
PROPOSED EXTERIOR DIAPHRAGM "D2" DETAIL SIMILAR

No. D1 required = 10
No. D2 required = 1

Note:
Two Hardened washers shall be required over all over sized holes.
New angle holes spacing shall match existing web holes spacing.
New connection angle length shall match existing.

BEAMS & DIAPHRAGMS REPAIR

Diaphragms @ West Abutment	Diaphragms @ East Abutment
Clean and paint diaphragm bet. Bms 1 & 2.	Replace Diaphragm D1 between Beams 1 & 2
Clean and paint diaphragm bet. Bms 2 & 3.	Replace Diaphragm D1 between Beams 2 & 3
Clean and paint diaphragm bet. Bms 3 & 4.	Replace Diaphragm D1 between Beams 3 & 4
Clean and paint diaphragm bet. Bms 4 & 5.	Replace Diaphragm D1 between Beams 4 & 5
Clean and paint diaphragm bet. Bms 5 & 6.	Replace Diaphragm D1 between Beams 5 & 6
Clean and paint diaphragm bet. Bms 6 & 7.	Replace Diaphragm D2 between Beams 6 & 7
Clean and paint diaphragm bet. Bms 7 & 8.	Replace Diaphragm D1 between Beams 7 & 8
Clean and paint diaphragm bet. Bms 8 & 9.	Replace Diaphragm D1 between Beams 8 & 9
Clean and paint diaphragm bet. Bms 9 & 10.	Replace Diaphragm D1 between Beams 9 & 10
Clean and paint diaphragm bet. Bms 10 & 11.	Replace Diaphragm D1 between Beams 10 & 11
Clean and paint diaphragm bet. Bms 11 & 12.	Replace Diaphragm D1 and remove, clean, paint & reinstall diaphragm D between Beams 11 & 12

Note:
Diaphragms along 79th Brg. at East Abutment shall be removed before cleaning and painting beams.

DESIGNED	JPM
CHECKED	TG
DRAWN	MPS
CHECKED	JPM, TG



180 S. WICKER DRIVE SUITE 700 CHICAGO IL 60606 .P312-686-0910 F312-686-0415

FRAMING DETAILS 2
STRUCTURE NO. 016-0519

SHEET NO.S21	F.A.U. RTE.	SECTION	COUNTY	TOTAL SHEETS	SHEET NO.
	1548	461 (VB&VF) I	COOK	52	33
S34 SHEETS	CONTRACT NO. 60H65				
DATE: 06-22-2010		ILLINOIS	FED. AID PROJECT		