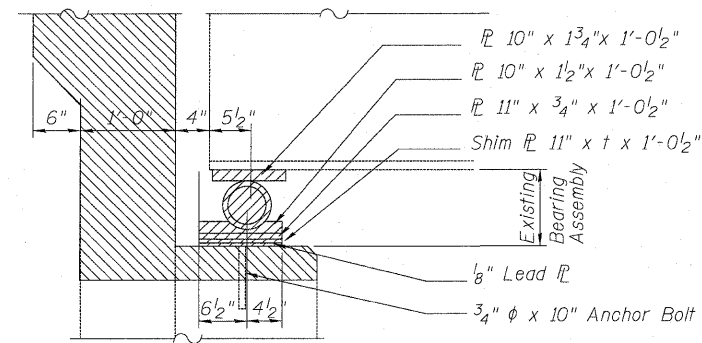
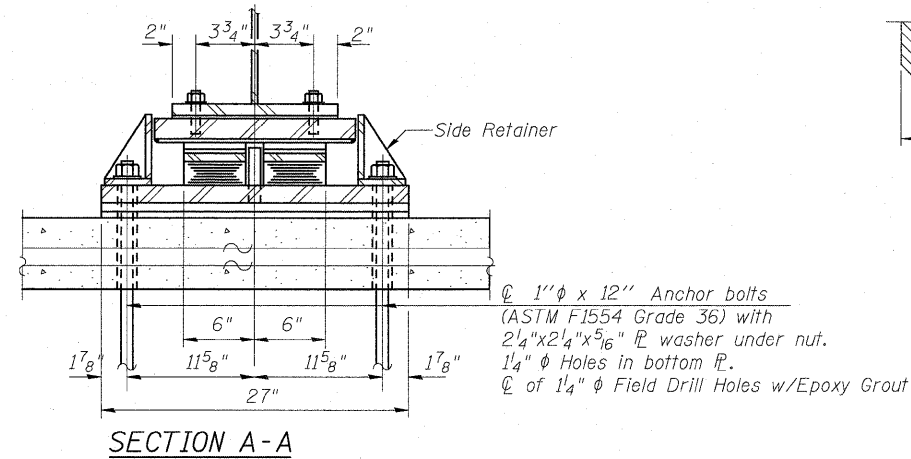
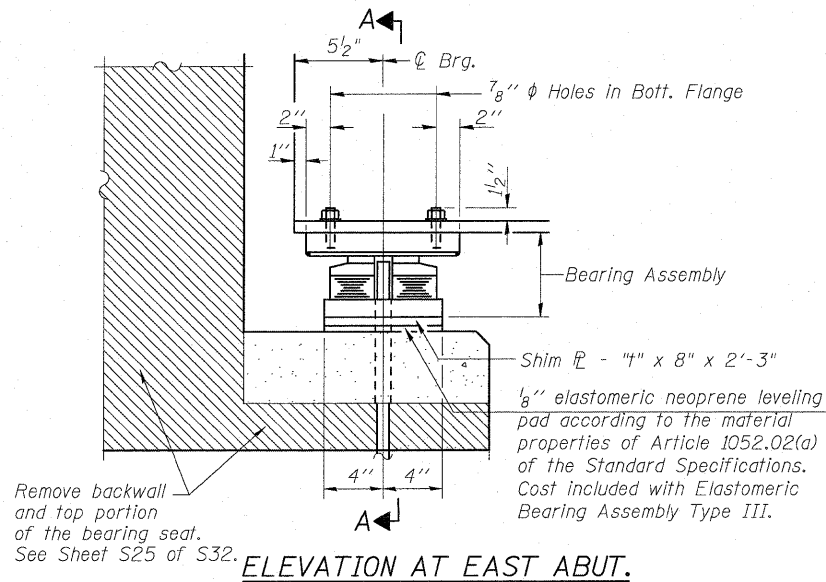


STATE OF ILLINOIS
DEPARTMENT OF TRANSPORTATION

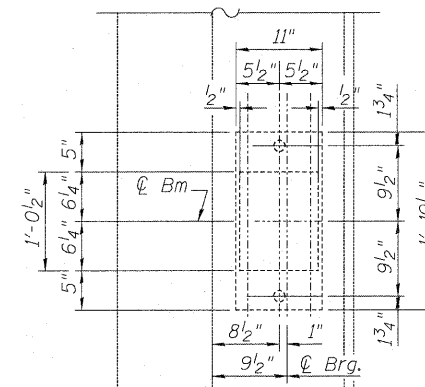
NOTES - JACKING AND CRIBBING

- The contractor shall submit for approval by the engineer, plans for jacking and cribbing prior to commencing any work on the bearing.
- Jacking and removing existing bearing, including top and bottom plates and the lead plates, shall be done after deck removal is completed and before the new deck is poured.
- All Stage I or Stage II beams shall be lifted simultaneously in stages.
- Top plates welded to the bottom flange of beams shall be removed using the air-arc method and grind smooth all weld material remaining on the bottom flange. Cost included with Jack and Remove Existing Bearing.
- The new bearings shall be in place and the jacks shall be lowered before the new deck is poured.
- The cost of removing existing bearings is included in the cost of Jacking and Cribbing.



EXISTING EAST ABUTMENT BEARING TO BE REMOVED

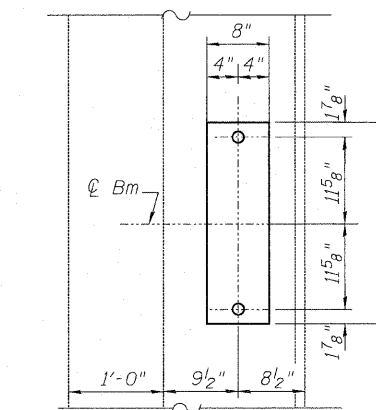
Remove and replace all existing bearing assembly at the West and East Abutments with Elastomeric Bearing Assembly



EXISTING BEARING PLAN

* Burn existing Anchor Bolts flush with concrete removal line. Cost included with Jack and Remove Existing Bearing

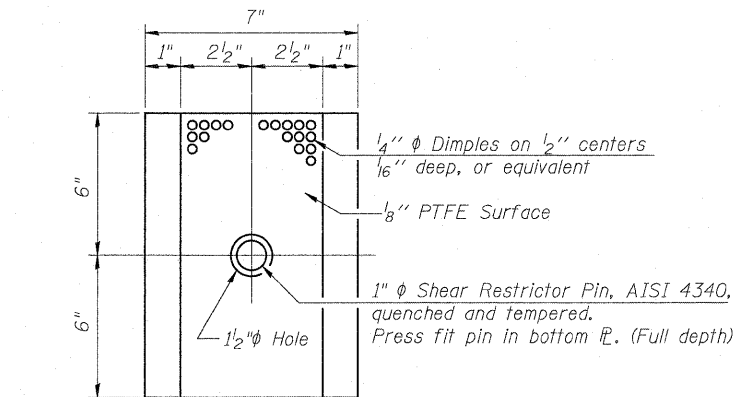
Location	"#"
Beam 1	-
Beam 2	5/8"
Beam 3	-
Beam 4	5/8"
Beam 5	-
Beam 6	5/8"
Beam 7	5/8"
Beam 8	-
Beam 9	5/8"
Beam 10	-
Beam 11	5/8"
Beam 12	-



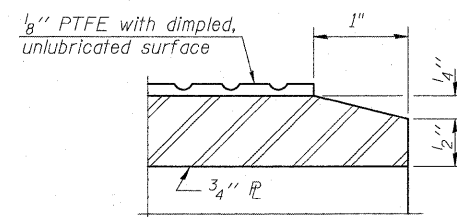
PROPOSED BEARING PLAN

LEGEND

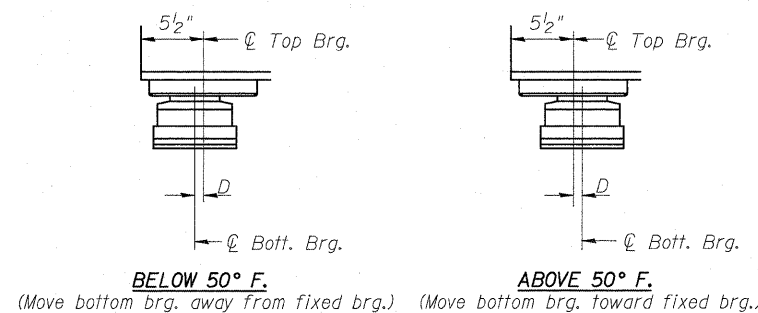
Denotes concrete removal Billed in Abutment modification and Repair Details



PLAN-PTFE ELASTOMERIC BRG.

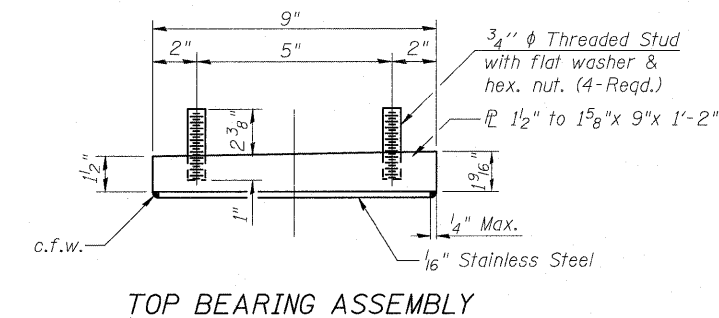


SECTION THRU PTFE

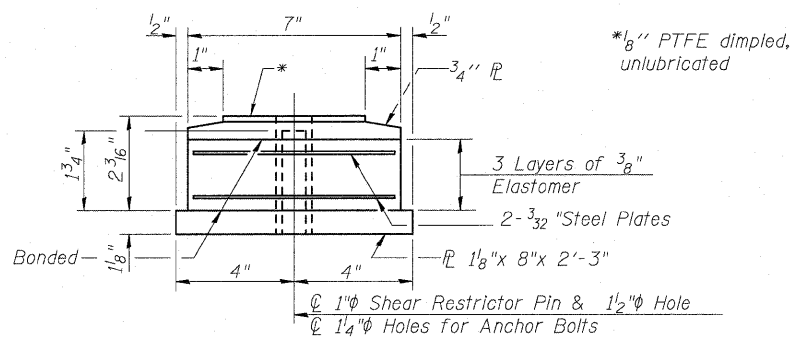


SETTING ANCHOR BOLTS AT EXP. BRG.

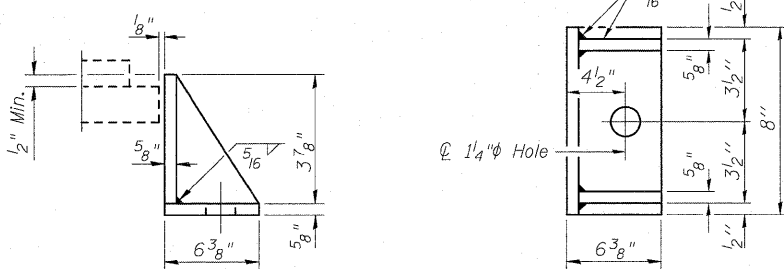
D = 1/8" per each 100' of expansion for every 15° temp. change from the normal temp. of 50° F.



TOP BEARING ASSEMBLY



BOTTOM BEARING ASSEMBLY



SIDE RETAINER

Equivalent rolled angle with stiffeners will be allowed in lieu of welded plates.

DESIGNED	JPM
CHECKED	TG
DRAWN	MPS
CHECKED	JPM, TG



180 S. WICKER DRIVE SUITE 700 CHICAGO IL 60606 P.312-606-8918 F.312-606-2415

I-2E-3

11-1-09

BILL OF MATERIAL

Item	Unit	Total
Elastomeric Bearing Assembly, Type III	Each	12
Anchor Bolts, 1"	Each	24
Jacking and Cribbing	Each	12

**ELASTOMERIC BEARING TYPE III DETAILS
STRUCTURE NO. 016-0519**

SHEET NO.	F.A.U. RTE.	SECTION	COUNTY	TOTAL SHEETS	SHEET NO.
S23	1548	461 (VB&VF) I	COOK	52	35
S34 SHEETS	CONTRACT NO. 60H65				
DATE: 06-22-2010		ILLINOIS FED. AID PROJECT			