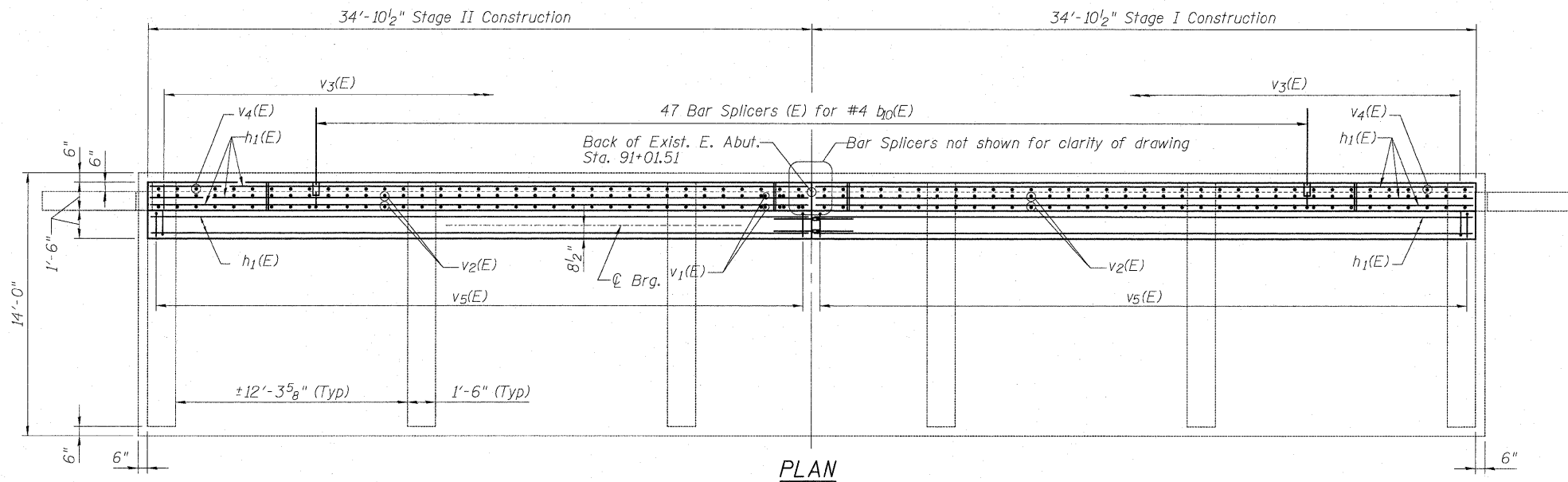
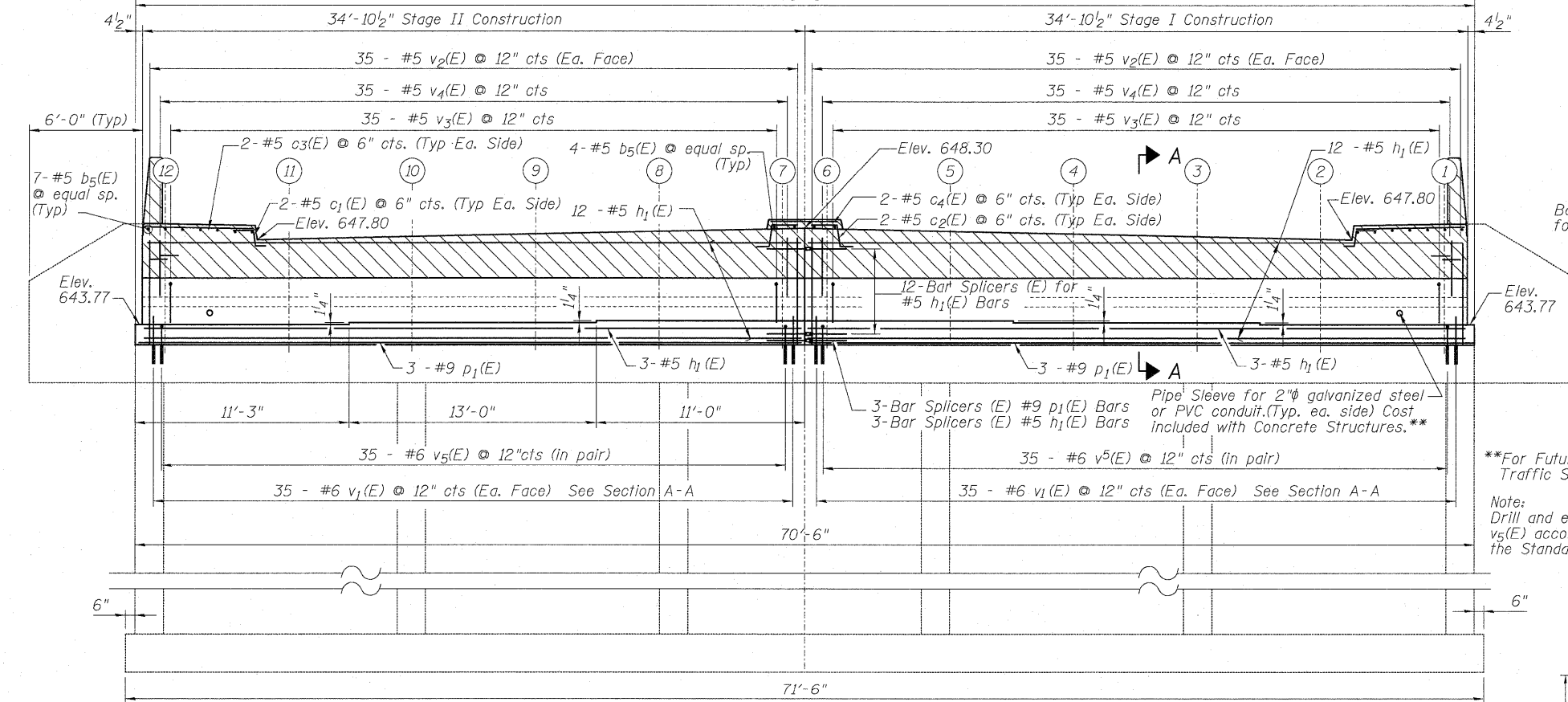


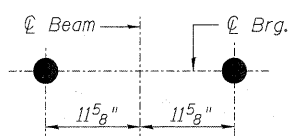
STATE OF ILLINOIS
DEPARTMENT OF TRANSPORTATION



PLAN



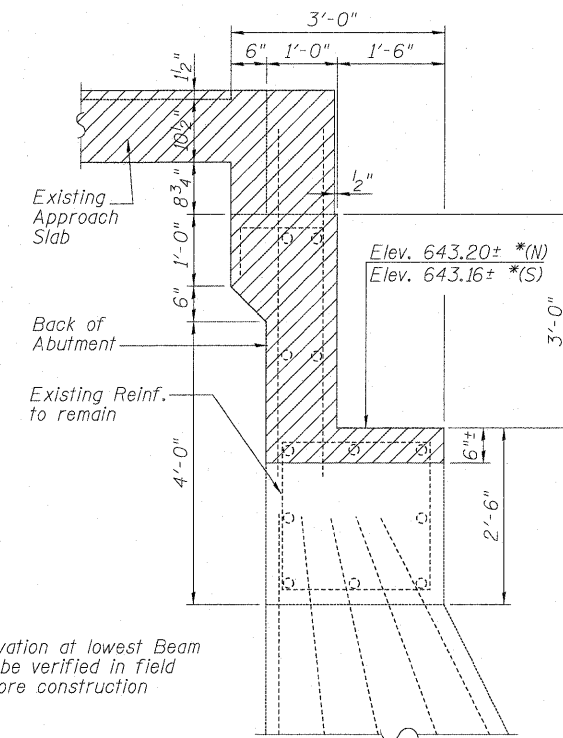
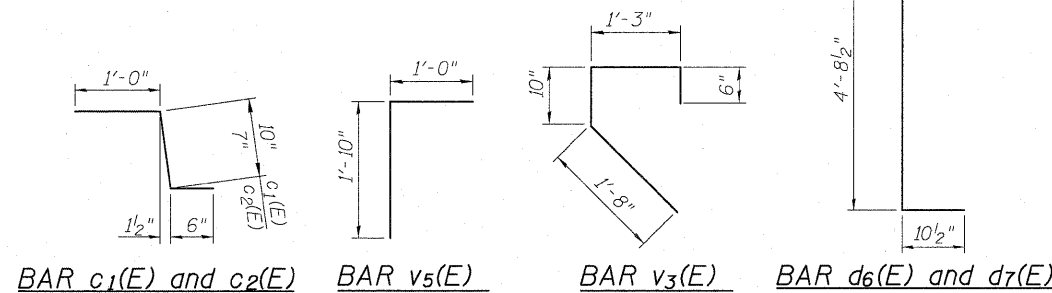
ELEVATION



ANCHOR BOLT LAYOUT

LEGEND

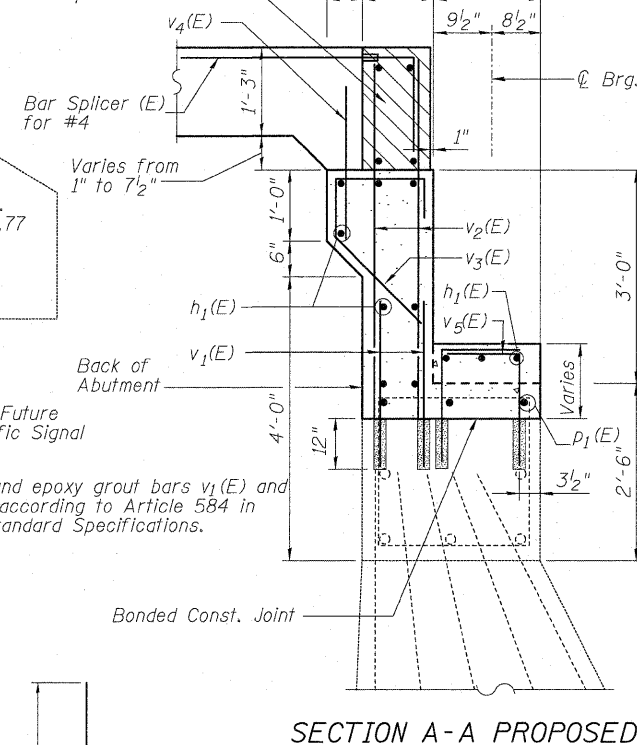
Concrete Removal



SECTION A-A EXISTING

* Elevation at lowest Beam To be verified in field before construction

Hatched area to be poured after superstructure forms have been removed. Quantity of concrete included with concrete superstructure



SECTION A-A PROPOSED

Notes:

Existing reinforcement shall be cleaned, and incorporated into the new construction. The cost included with the concrete removal.

Any reinforcement bars that are damaged during concrete removal operations shall be repaired or replaced using an approved bar splicer or anchorage system. Cost included with "Concrete Removal".

BILL OF MATERIAL

Bar	No.	Size	Length	Shape
b5(E)	18	#5	0'-9"	
c1(E)	4	#5	2'-4"	
c2(E)	4	#5	2'-1"	
c3(E)	4	#5	5'-8"	
c4(E)	2	#5	2'-6"	
d6(E)	4	#5	5'-7"	
d7(E)	4	#5	5'-7"	
h1(E)	30	#5	34'-7"	
p1(E)	6	#9	34'-8"	
v1(E)	140	#6	3'-2"	
v2(E)	140	#5	5'-1"	
v3(E)	70	#5	4'-3"	
v4(E)	70	#5	2'-3"	
v5(E)	140	#6	2'-10"	

Item	Unit	Total
Reinforcement Bars, Epoxy Coated	Pound	4370
Concrete Structures	Cu. Yd.	15.1
Concrete Removal	Cu. Yd.	30.1
Bar Splicers	Each	65
Concrete Sealer	Sq. Ft.	471
Structure Excavation	Cu. Yd.	92.5
Pipe Underdrains for Structures 4"	Foot	86
Geocomposite Wall Drain	Sq. Yd.	43

Note: Concrete Sealer shall be applied to the face of backwall and bearing seat. Space bars to miss anchor bolts. Bearing seat steps shall be poured monolithically with cap.

BRG. SEAT ELEVATIONS

Location	Elevation
Beam 1	643.77
Beam 2	643.77
Beam 3	643.87
Beam 4	643.87
Beam 5	643.97
Beam 6	643.97
Beam 7	643.97
Beam 8	643.97
Beam 9	643.87
Beam 10	643.87
Beam 11	643.77
Beam 12	643.77

WEST ABUTMENT DETAILS
STRUCTURE NO. 016-0519

DESIGNED	JPM
CHECKED	TG
DRAWN	MPS
CHECKED	JPM, TG



180 S. WACKER DRIVE SUITE 700 • CHICAGO IL 60606 • P:312-606-9919 F:312-606-0415

SHEET NO. S24 S34 SHEETS	F.A.U. RTE. 1548	SECTION 461 (VB&VF) I	COUNTY COOK	TOTAL SHEETS 52	SHEET NO. 36
	CONTRACT NO. 60H65			DATE: 06-22-2010 ILLINOIS FED. AID PROJECT	