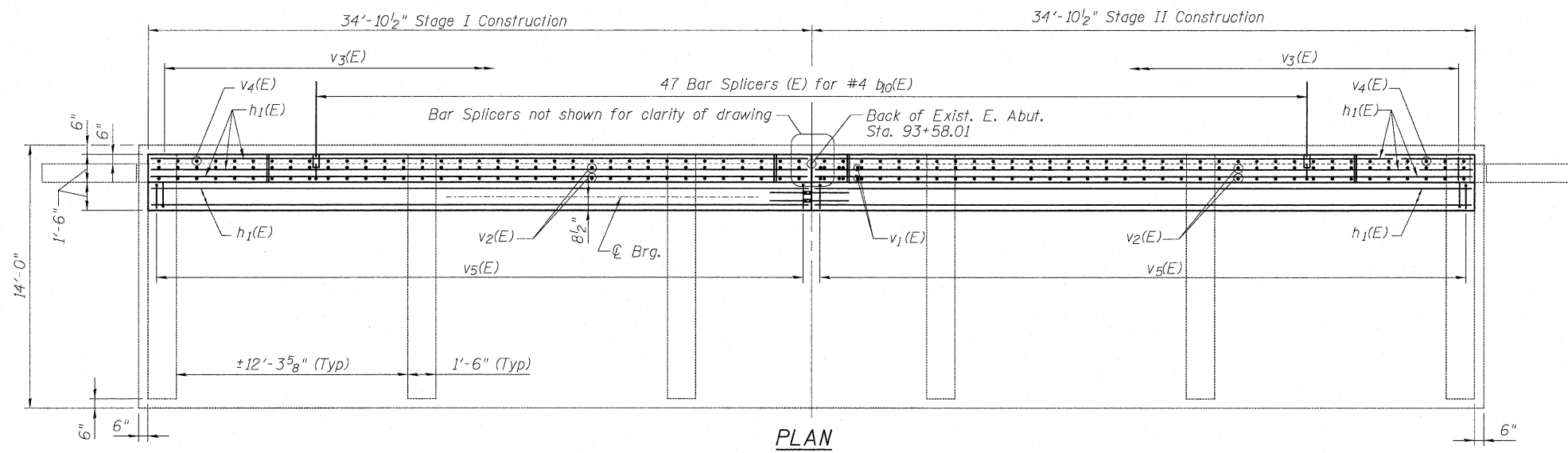
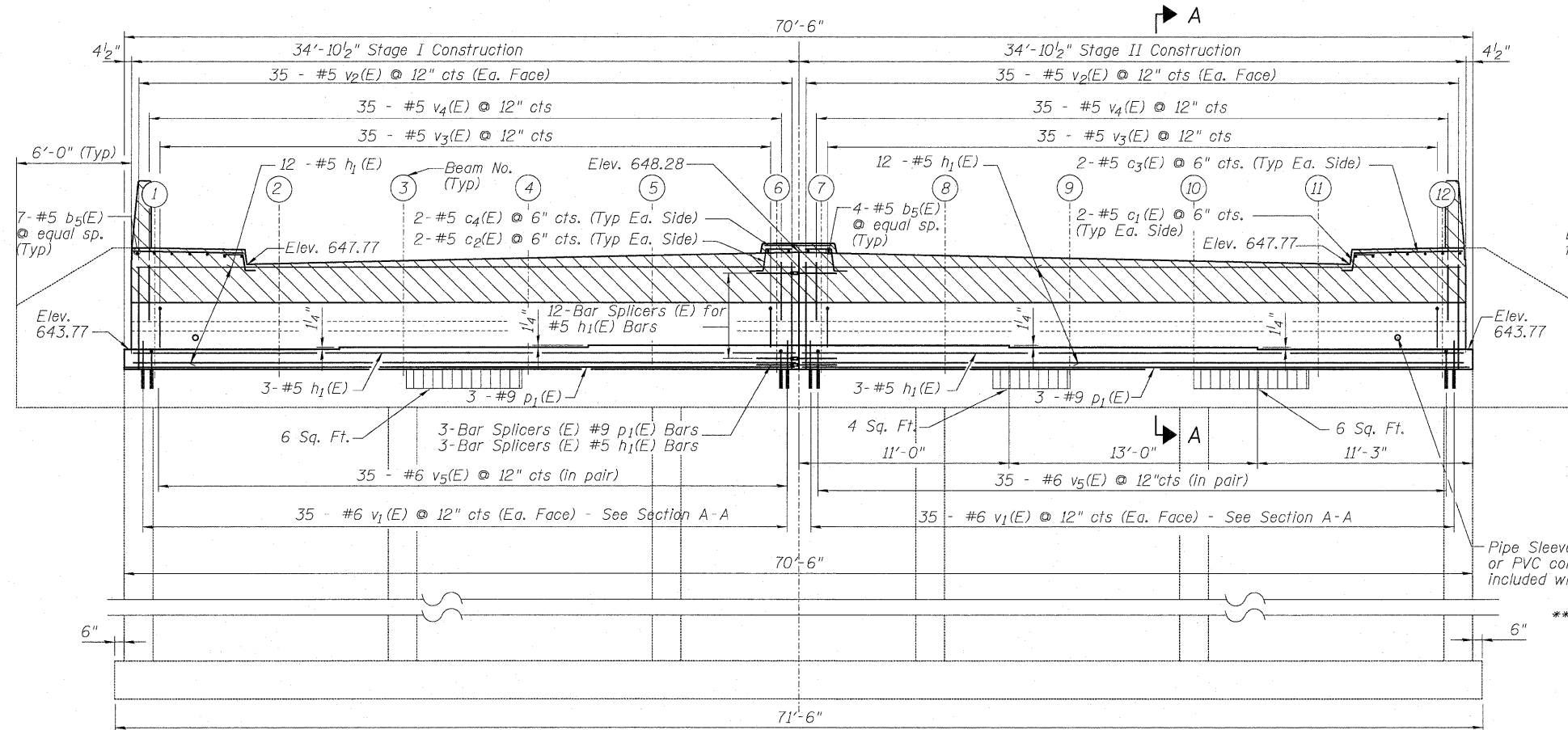


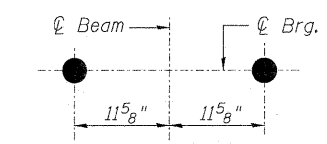
STATE OF ILLINOIS
DEPARTMENT OF TRANSPORTATION



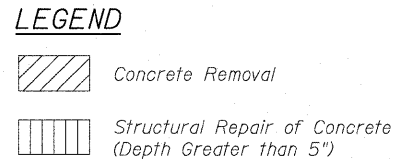
PLAN



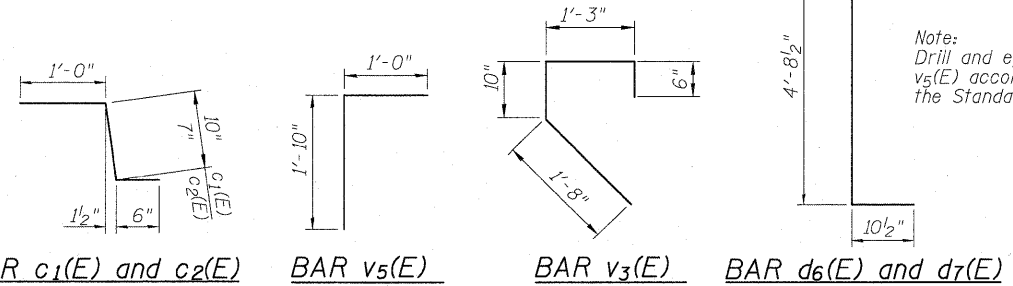
ELEVATION



ANCHOR BOLT LAYOUT



LEGEND



BAR c1(E) and c2(E)

BAR v5(E)

BAR v3(E)

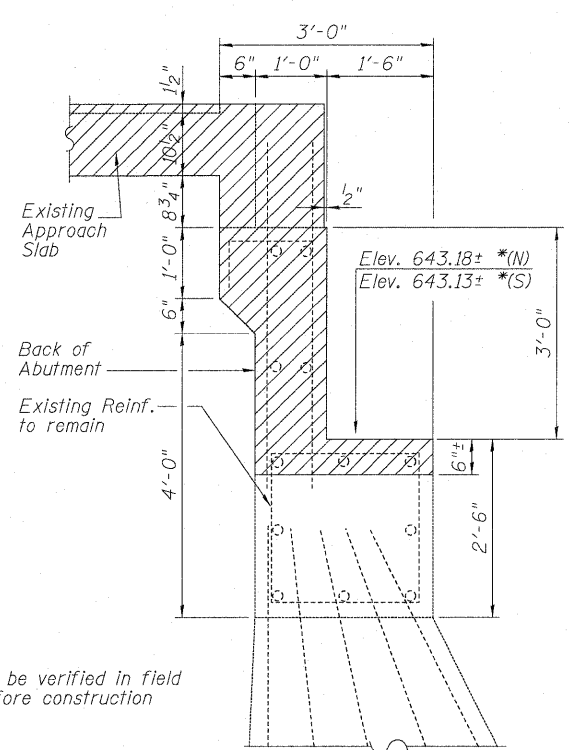
BAR d6(E) and d7(E)

Note: Drill and epoxy grout bars v1(E) and v5(E) according to Article 584 in the Standard Specifications.

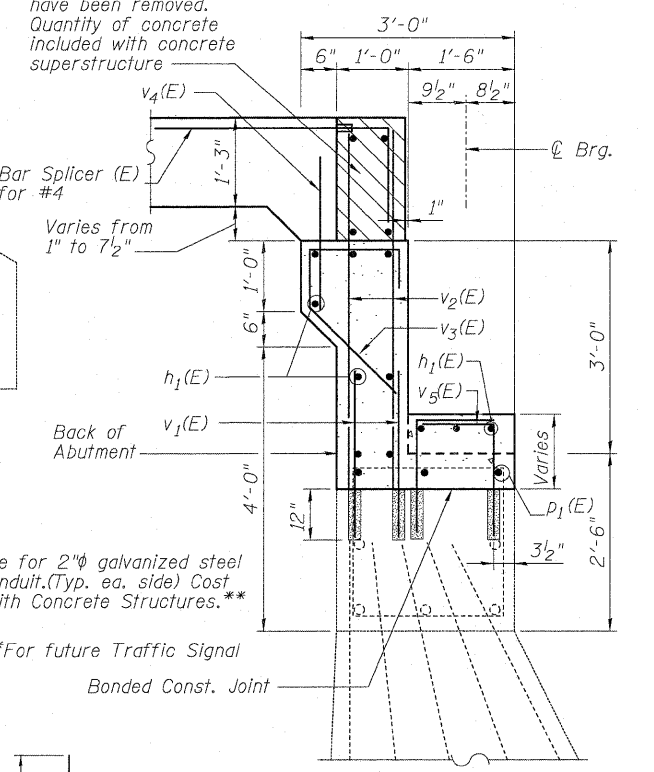
* To be verified in field before construction

Hatched area to be poured after superstructure form have been removed. Quantity of concrete included with concrete superstructure

**For future Traffic Signal Bonded Const. Joint



SECTION A-A EXISTING



SECTION A-A PROPOSED

Notes:

Existing reinforcement shall be cleaned, and incorporated into the new construction. The cost included with the concrete removal.

Any reinforcement bars that are damaged during concrete removal operations shall be repaired or replaced using an approved bar splicer or anchorage system. Cost included with "Concrete Removal".

BILL OF MATERIAL

Bar	No.	Size	Length	Shape
b5(E)	18	#5	0'-9"	—
c1(E)	4	#5	2'-4"	—
c2(E)	4	#5	2'-1"	—
c3(E)	4	#5	5'-8"	—
c4(E)	2	#5	2'-6"	—
d6(E)	4	#5	5'-7"	—
d7(E)	4	#5	5'-7"	—
h1(E)	30	#5	34'-7"	—
p1(E)	6	#9	34'-8"	—
v1(E)	140	#6	3'-2"	—
v2(E)	140	#5	5'-1"	—
v3(E)	70	#5	4'-3"	—
v4(E)	70	#5	2'-3"	—
v5(E)	140	#6	2'-10"	—

Item	Unit	Total
Reinforcement Bars, Epoxy Coated	Pound	4370
Concrete Structures	Cu. Yd.	15.1
Concrete Removal	Cu. Yd.	30.1
Bar Splicers	Each	65
Concrete Sealer	Sq. Ft.	471
Structure Excavation	Cu. Yd.	92.5
Pipe Underdrains for Structures 4"	Foot	86
Struct. Repair of Concrete (Depth Greater than 5")	Sq. Ft.	16
Geocomposite Wall Drain	Sq. Yd.	43

Note: Concrete Sealer shall be applied to the face of backwall and bearing seat. Space bars to miss anchor bolts. Bearing seat steps shall be poured monolithically with cap.

BRG. SEAT ELEVATIONS

Location	Elevation
Beam 1	643.77
Beam 2	643.77
Beam 3	643.87
Beam 4	643.87
Beam 5	643.97
Beam 6	643.97
Beam 7	643.97
Beam 8	643.97
Beam 9	643.87
Beam 10	643.87
Beam 11	643.77
Beam 12	643.77

EAST ABUTMENT DETAILS
STRUCTURE NO. 016-0519

DESIGNED	JPM
CHECKED	TG
DRAWN	MPS
CHECKED	JPM, TG



SHEET NO. S25 S34 SHEETS	F.A.U. RTE.	SECTION	COUNTY	TOTAL SHEETS	SHEET NO.
	1548	461 (VB&VF) I	COOK	52	37
DATE: 06-22-2010			ILLINOIS FED. AID PROJECT		
CONTRACT NO. 60H65					