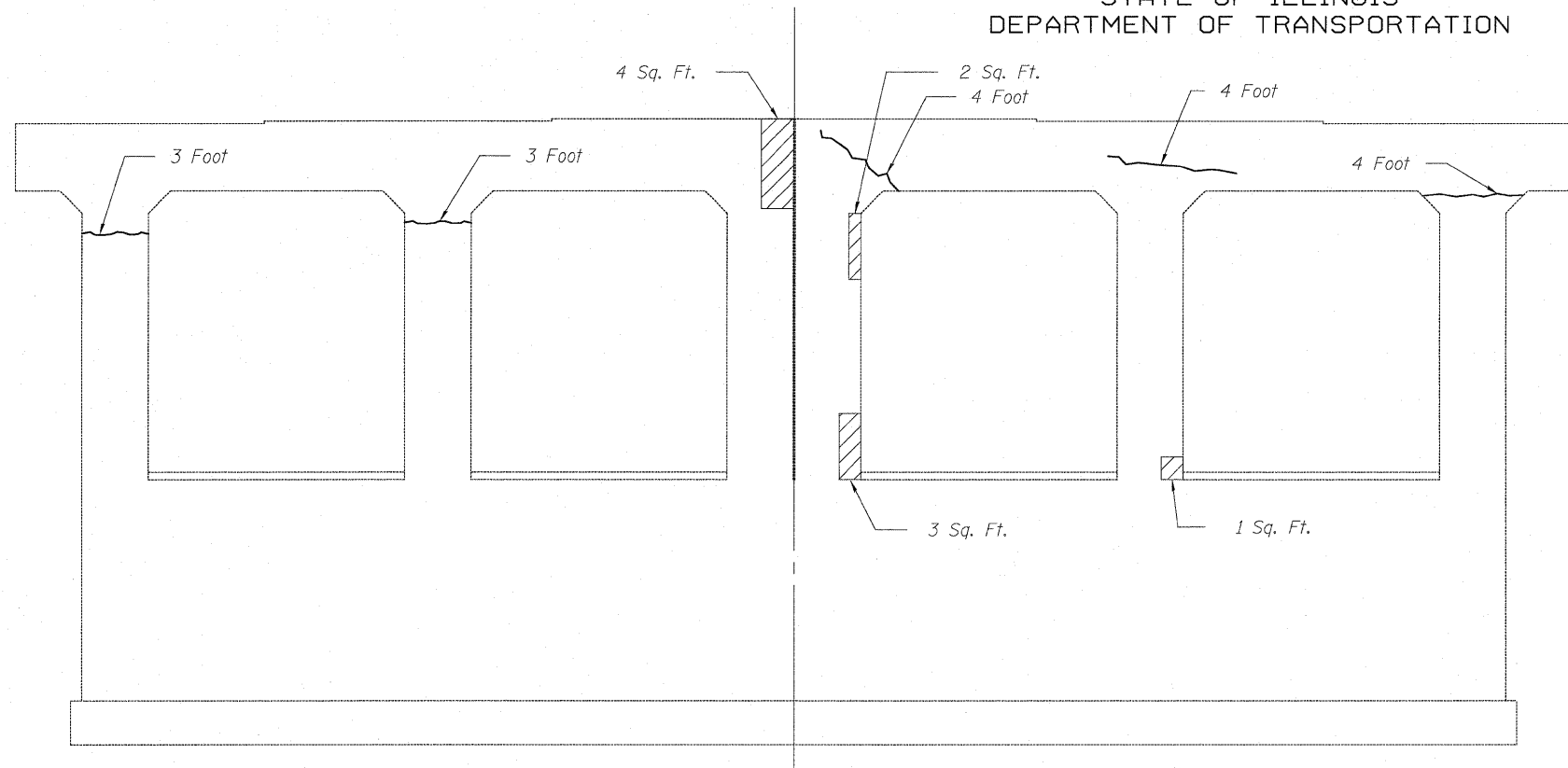
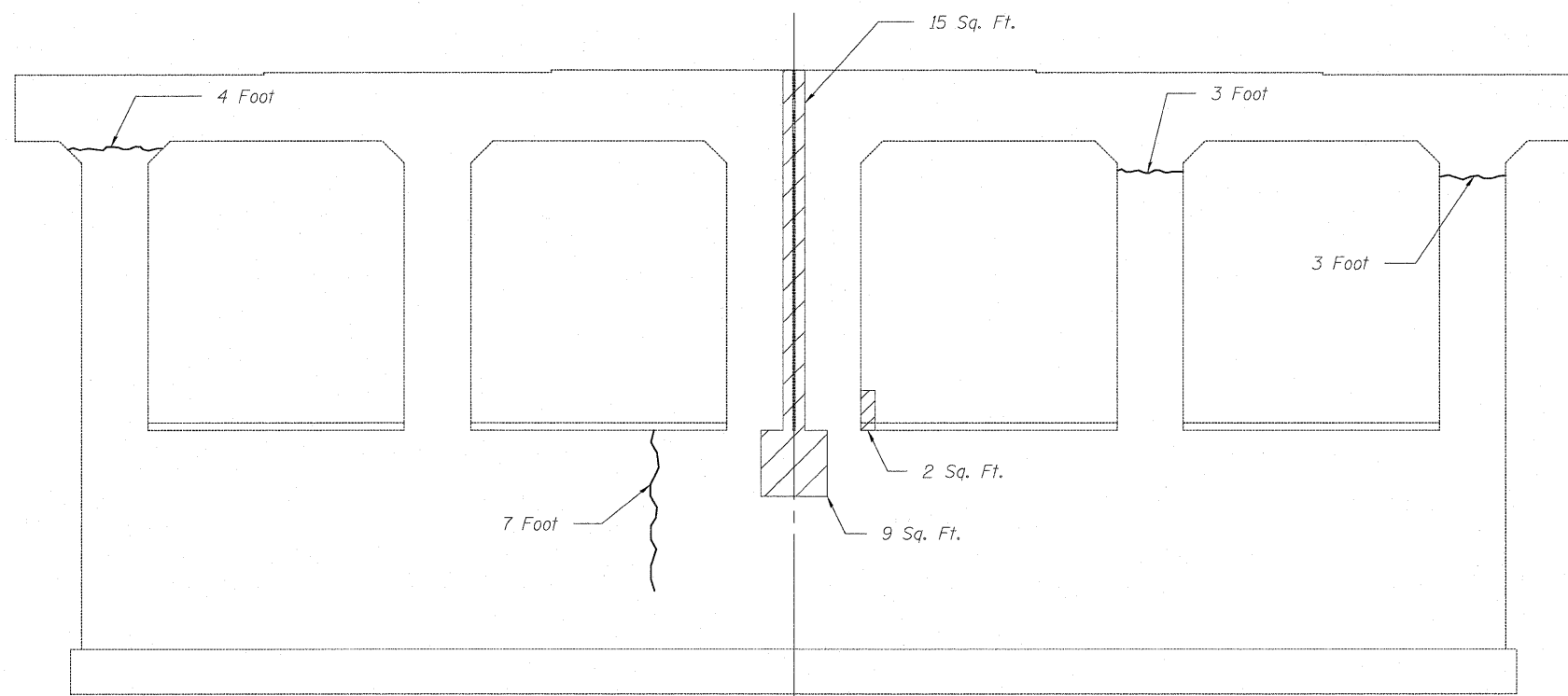


STATE OF ILLINOIS
DEPARTMENT OF TRANSPORTATION





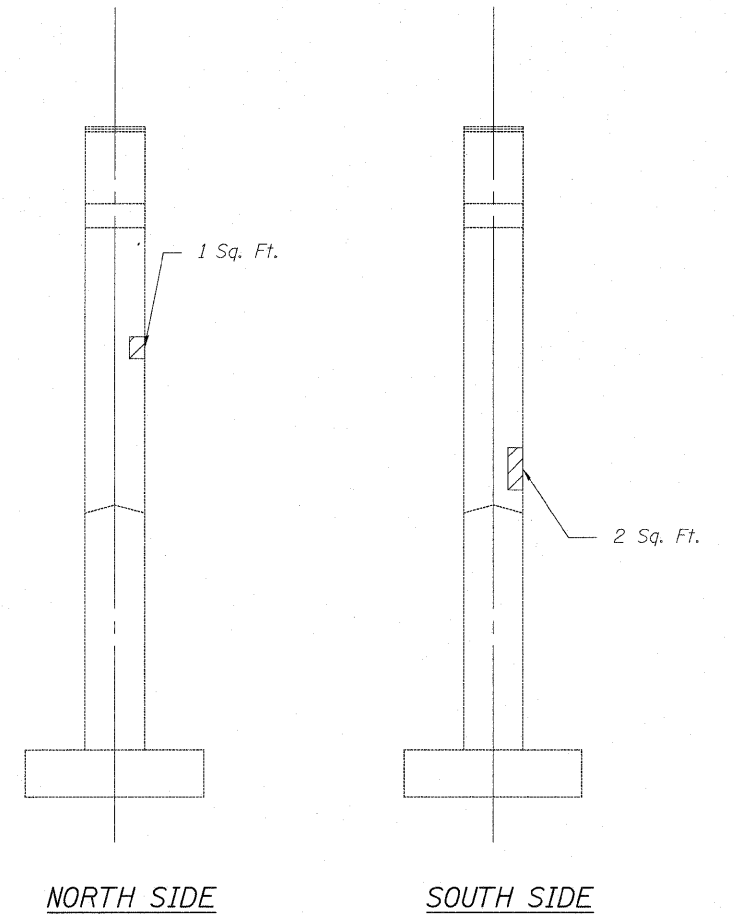
WEST FACE



EAST FACE

LEGEND

-  Structural Repair of Concrete (Depth Equal to or Less Than 5")
-  Epoxy Crack Injection



NORTH SIDE

SOUTH SIDE

Note:
The quantities shown are for estimating purposes only.
Area to be repaired will be determined by the Engineer
at the time of construction.

BILL OF MATERIAL

Item	Unit	Quantity
Epoxy Crack Injection	Foot	35
Structural Repair of Concrete (Depth equal to or less than 5 inches)	Sq. Ft.	39

PIER 2
REPAIR DETAILS
STRUCTURE NO. 016-0519

DESIGNED	JPM
CHECKED	TG
DRAWN	MPS
CHECKED	JPM, TG



SHEET NO. S27	F.A.U. RTE.	SECTION	COUNTY	TOTAL SHEETS	SHEET NO.
	1548	461 (VB&VF) I	COOK	52	39
S34 SHEETS	CONTRACT NO. 60H65				
DATE: 06-22-2010		ILLINOIS FED. AID PROJECT			