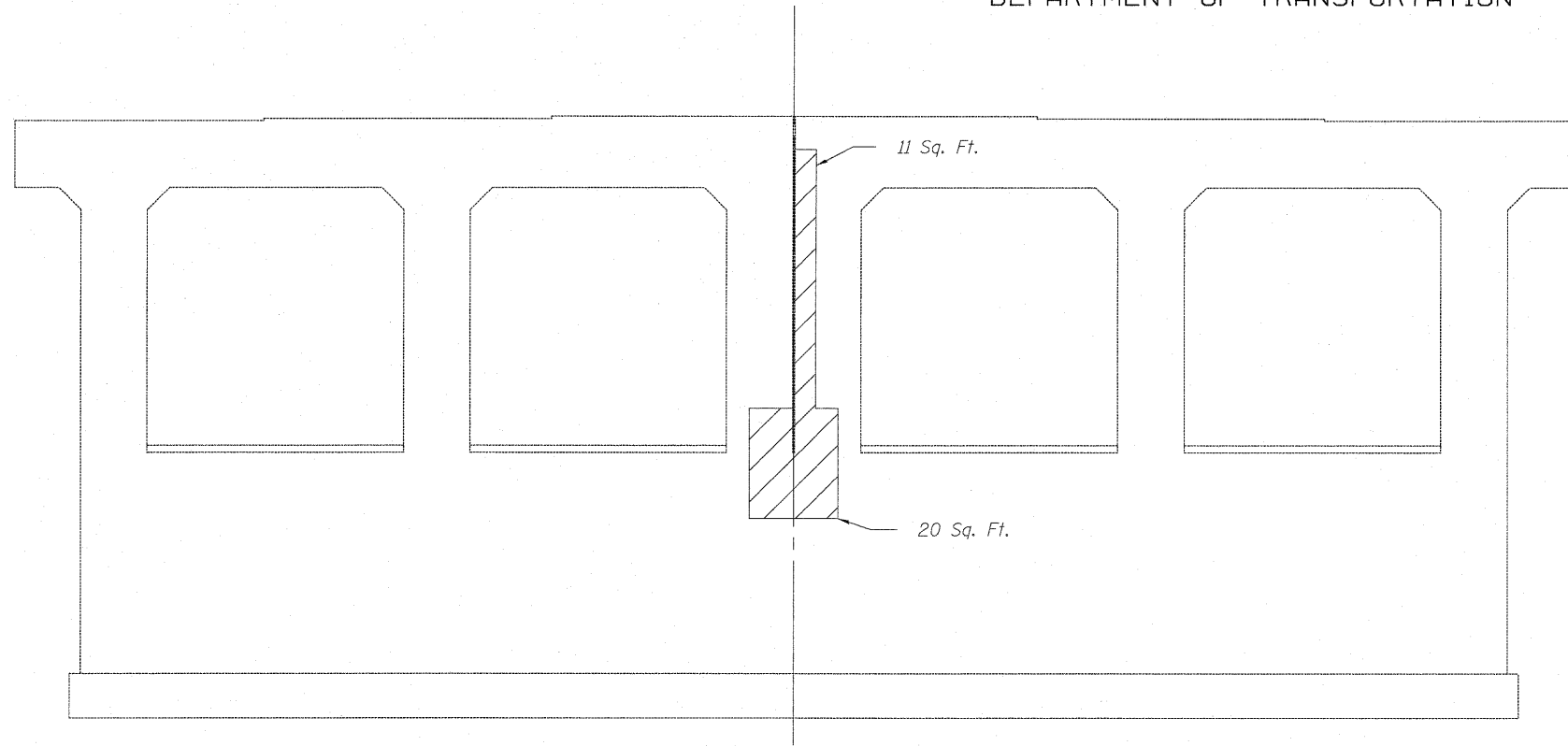
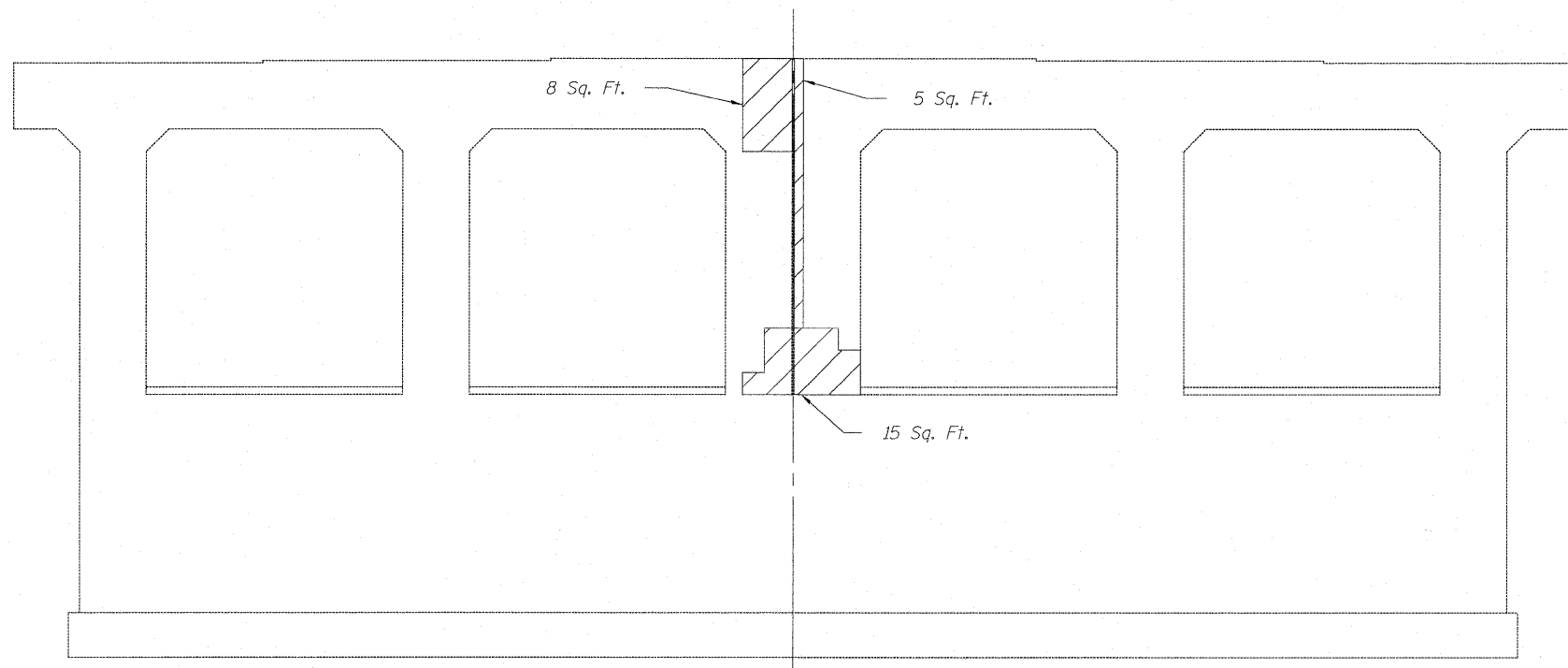


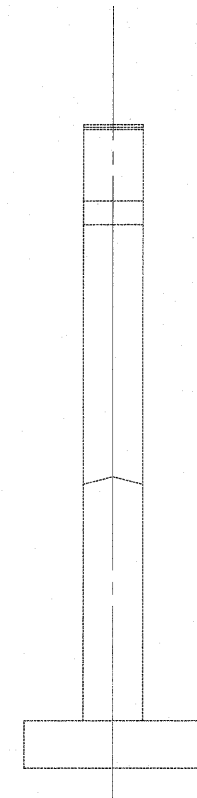
STATE OF ILLINOIS
DEPARTMENT OF TRANSPORTATION



WEST FACE



EAST FACE



ELEVATION

Note:
The quantities shown are for estimating purposes only.
Area to be repaired will be determined by the Engineer
at the time of construction.

BILL OF MATERIAL

Item	Unit	Quantity
Structural Repair of Concrete (Depth equal to or less than 5 inches)	Sq. Ft.	59

PIER 4
REPAIR DETAILS
STRUCTURE NO. 016-0519


DESIGNED	JPM
CHECKED	TG
DRAWN	MPS
CHECKED	JPM, TG



180 S. WICKER DRIVE SUITE 700 CHICAGO IL 60606 P312-686-8910 F312-686-8915

Note:
Retaining wall in front of west face of Pier 4
has two areas which have failed due to runoff
from east abutment embankment slope.
Approximately 25 Sq. Ft. of repair.

LEGEND:

 Structural Repair of Concrete
(Depth Equal to or Less Than 5")

SHEET NO. S29	F.A.U. RTE.	SECTION	COUNTY	TOTAL SHEETS	SHEET NO.
	1548	461 (VB&VF) I	COOK	52	41
S34 SHEETS	CONTRACT NO. 60H65				
DATE: 06-22-2010		ILLINOIS FED. AID PROJECT			