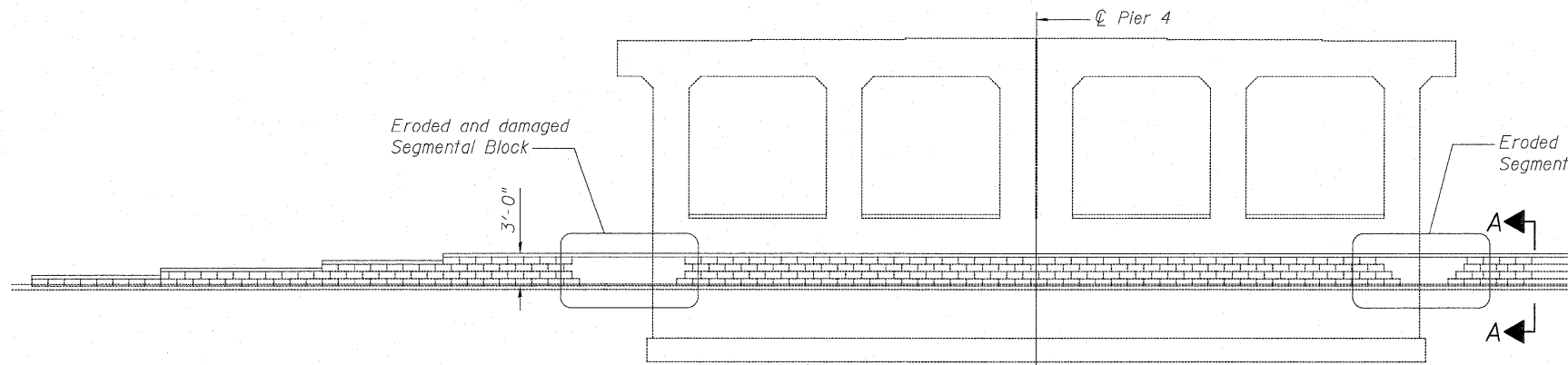
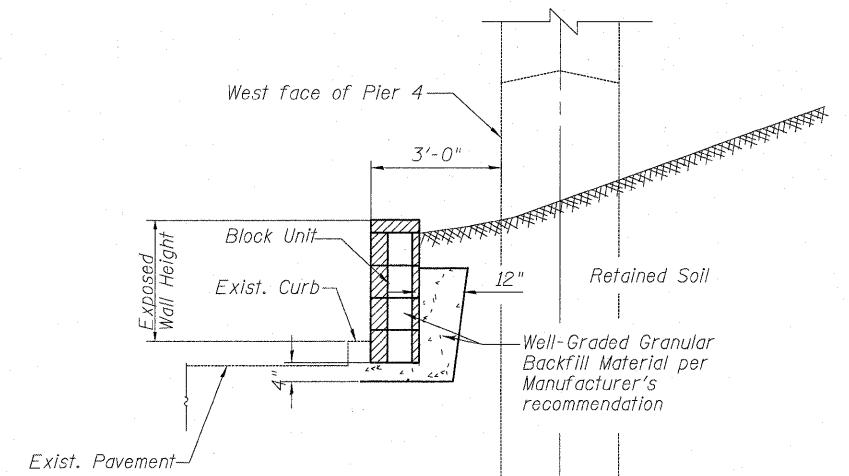


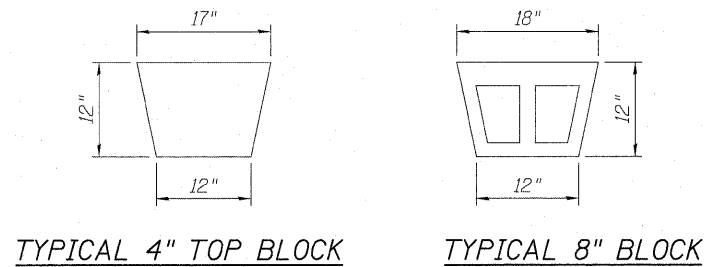
STATE OF ILLINOIS  
DEPARTMENT OF TRANSPORTATION



**ELEVATION-EXISTING CONDITION**  
Looking East

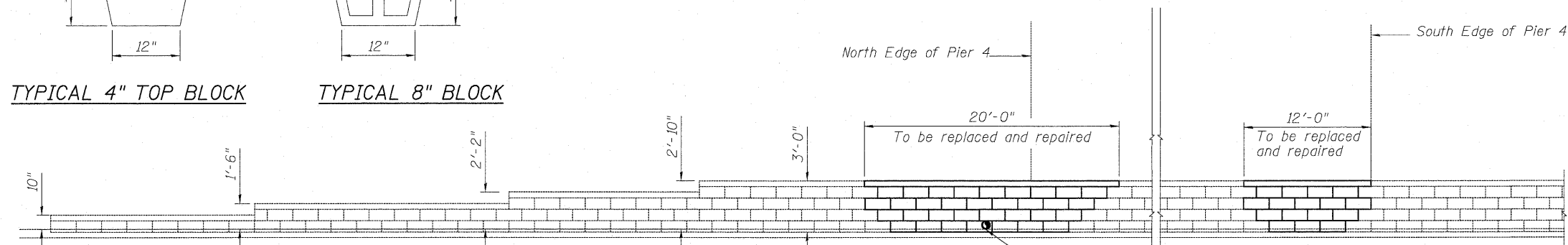


**SECTION A-A**



**TYPICAL 4" TOP BLOCK**

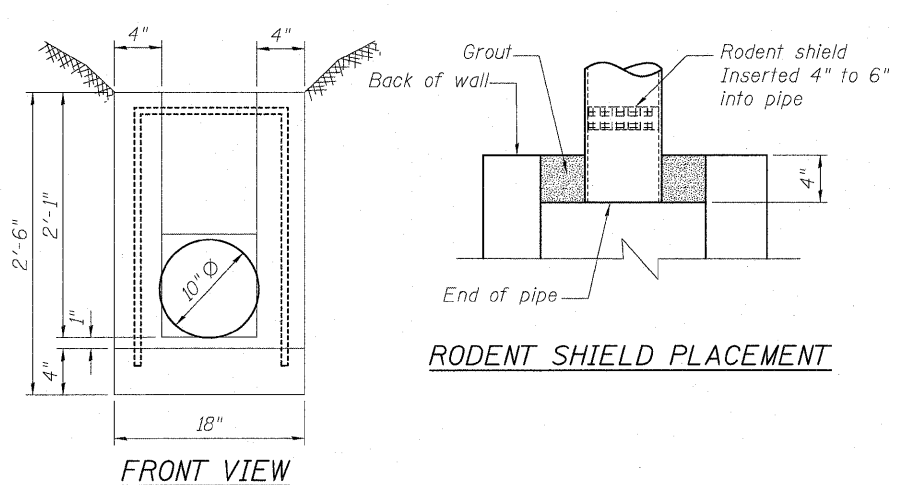
**TYPICAL 8" BLOCK**



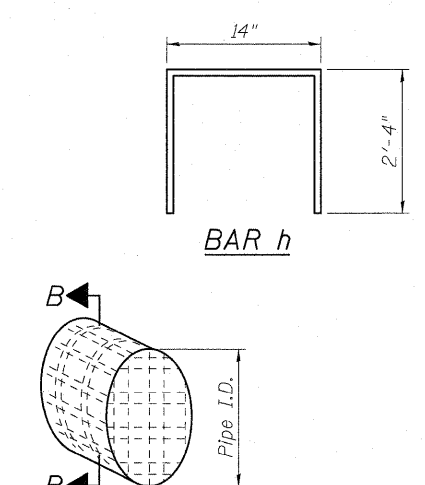
**PROPOSED RETAINING WALL REPAIR**  
Looking East

**BILL OF MATERIAL**

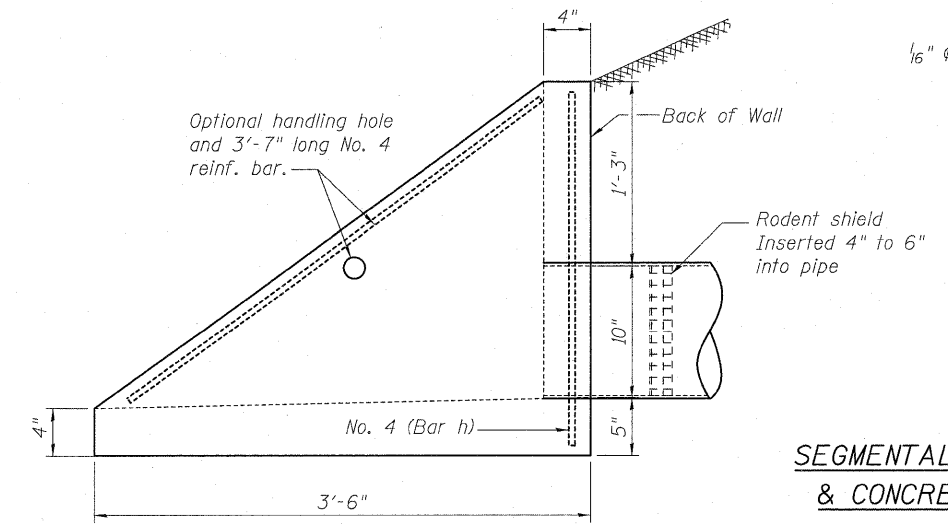
Item	Unit	Quantity
Segmental Block Retaining Wall Repair	Sq. Ft.	107



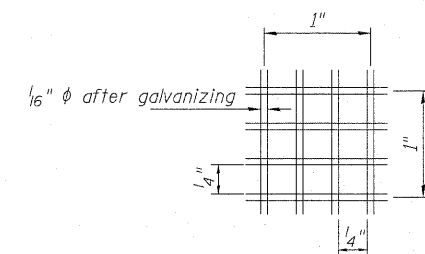
**RODENT SHIELD PLACEMENT**



**DETAIL OF RODENT SHIELD**



**SIDE ELEVATION**



**SECTION B-B**

Note:  
Concrete Headwall for Pipe Drain is billed on Sheet S33.

**SEGMENTAL BLOCK RETAINING WALL REPAIR DETAILS  
& CONCRETE HEADWALL FOR PIPE DRAIN DETAILS  
STRUCTURE NO. 016-0519**

DESIGNED	JPM
CHECKED	TG
DRAWN	MPS
CHECKED	JPM, TG



**CONCRETE HEADWALL FOR PIPE DRAIN DETAILS**

SHEET NO. S34	F.A.U. RTE.	SECTION	COUNTY	TOTAL SHEETS	SHEET NO.
	1548	461 (VB&VF) I	COOK	52	43
S34 SHEETS			CONTRACT NO. 60H65		
DATE: 06-22-2010		ILLINOIS FED. AID PROJECT			