

Existing Structure: SN 016-0558, built in 1961 and resurfaced in 2000 as a single span Reinforced Concrete slab. The structure measures 66'-0" Out to Out Deck and 23'-0" End to End Deck. The substructure consists of Reinforced Concrete closed abutments. Traffic is to be maintained utilizing stage construction.

STATE OF ILLINOIS  
DEPARTMENT OF TRANSPORTATION

**GENERAL NOTES**

Plan dimensions and details relative to existing plans are subject to nominal construction variations. The Contractor shall field verify existing dimensions and details affecting new construction and make necessary approved adjustments prior to construction or ordering of materials. Such variations shall not be cause for additional compensation for a change in scope of the work, however, the Contractor will be paid for the quantity actually furnished at the unit price bid for the work.

**SCOPE OF WORK**

1. Remove existing HMA overlay.
2. Hydroscarify 1/2 inch slab surface.
3. Structural Repairs of Concrete to substructures.
4. Install Polymer Concrete Nosing.
5. 3" latex concrete overlay.
6. Patch & Overlay approaches.

Reinforcement bars shall conform to the requirements of ASTM A 706 Gr 60. See Special Provisions.

Reinforcement bars designated (E) shall be epoxy coated.

**DESIGN SPECIFICATIONS**

2002 AASHTO Standard Specifications, 17th Edition.

**DESIGN STRESSES**

**FIELD UNITS**

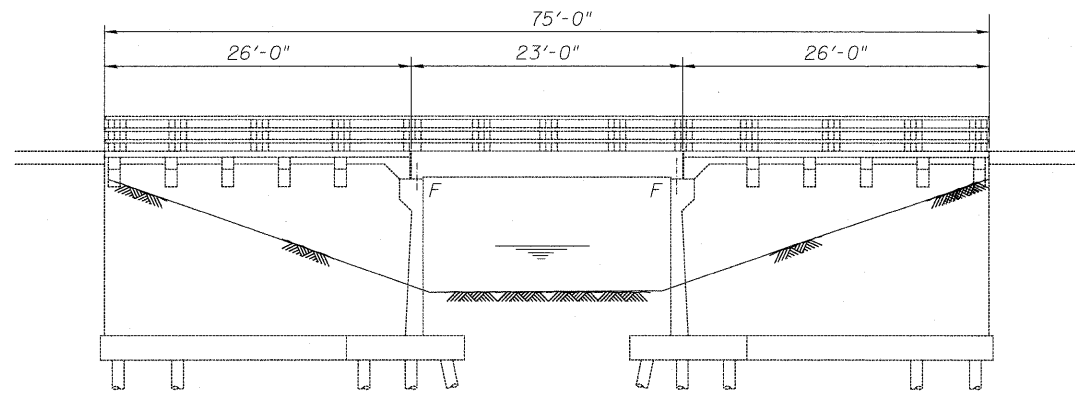
$f'c = 3,500$  psi  
 $f_y = 60,000$  psi

**LAST DELAMINATION SURVEY**

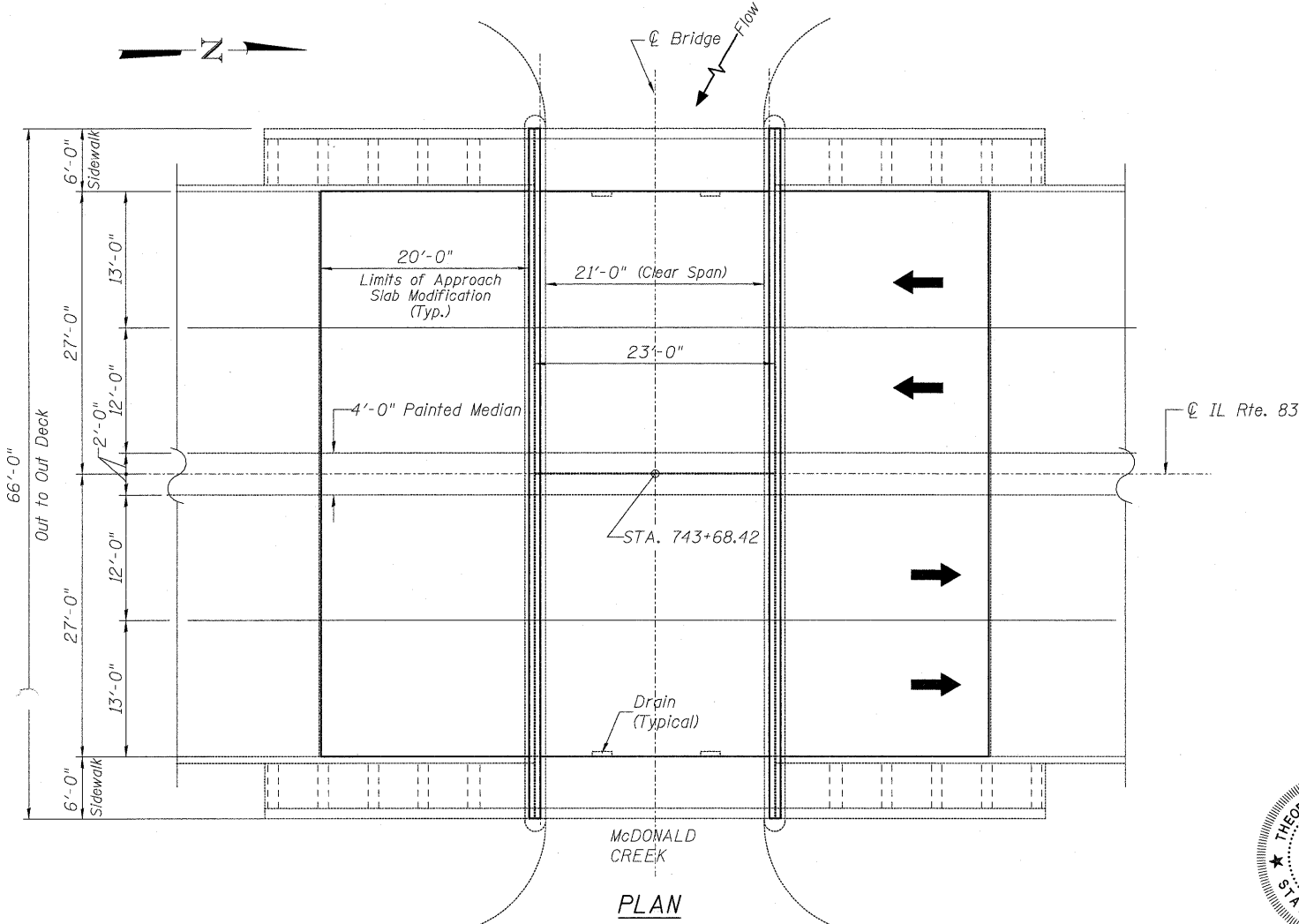
October 28, 2009

**INDEX OF SHEETS**

- S1 - General Plan & Elevation
- S2 - Stage Construction Details
- S3 - Temporary Concrete Barrier
- S4 - Bridge Approach Patching & Transverse Expansion Joint Reconstruction Details
- S5 - Abutment Repair Details



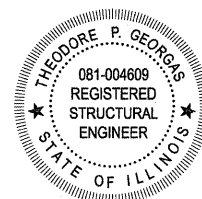
**ELEVATION**



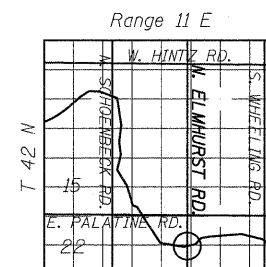
**PLAN**

**TOTAL BILL OF MATERIAL**

ITEM	UNIT	SUPER	SUB	TOTAL
Hot-Mix Asphalt Surface Removal (Deck)	Sq. Yd.	138	-	138
Hot-Mix Asphalt Surface Removal, 2 1/2"	Sq. Yd.	240	-	240
Bridge Deck Hydro-scarification 1/2"	Sq. Yd.	138	-	138
Approach Slab Repair (Partial Depth)	Sq. Yd.	5	-	5
Bridge Deck Grooving	Sq. Yd.	133	-	133
Protective Coat	Sq. Yd.	138	-	138
Bridge Deck Latex Concrete Overlay, 3"	Sq. Yd.	138	-	138
Structural Repair of Concrete (Depth equal to or less than 5 inches)	Sq. Ft.	-	54	54
Leveling Binder, (Machine Method), IL9.5, N-70, 1 1/2"	Tons	21	-	21
Hot-Mix Asphalt Surface Course, Mix "D", N-70, 1 1/2"	Tons	21	-	21
Polymer Concrete	Cu. Ft.	7	-	7



*Theodore P. Georgas* 3-26-10  
Theodore P. Georgas Date  
Licensed Structural Engineer  
State of Illinois 081-4609  
Expires 11/30/2010



**LOCATION SKETCH**

**GENERAL PLAN AND ELEVATION**  
**FAP 344/IL 83 (ELMHURST RD)**  
**OVER McDONALD CREEK**  
**COOK COUNTY**  
**STATION 743+68.42**  
**STRUCTURE NO. 016-0558**

DESIGNED	JPM
CHECKED	TG
DRAWN	MPS
CHECKED	JPM, TG



SHEET NO. S1	F.A.P. RTE.	SECTION	COUNTY	TOTAL SHEETS	SHEET NO.
	344	97 B-I-1	COOK	16	8
S5 SHEETS	CONTRACT NO. 60J60			ILLINOIS FED. AID PROJECT	