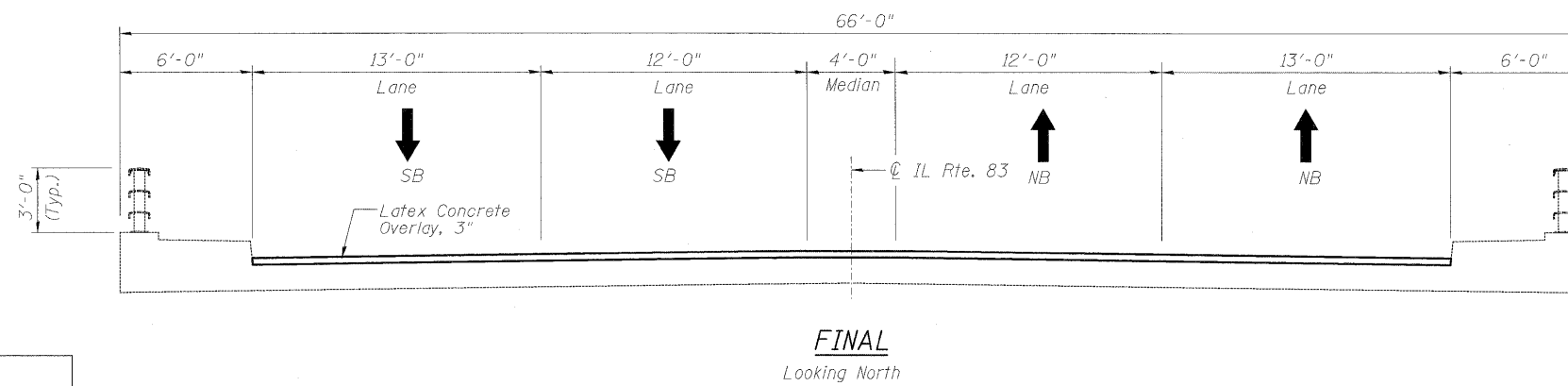
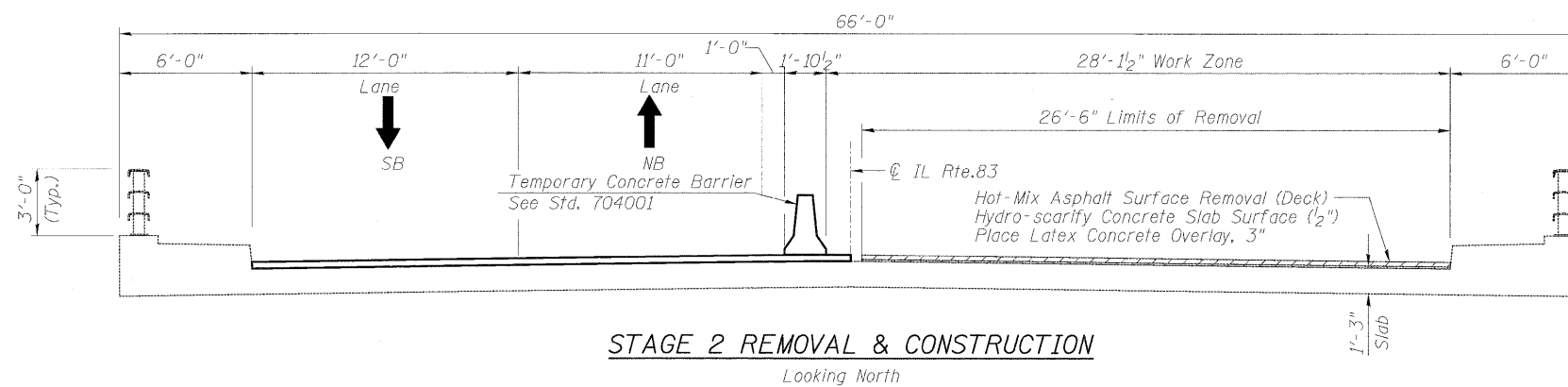
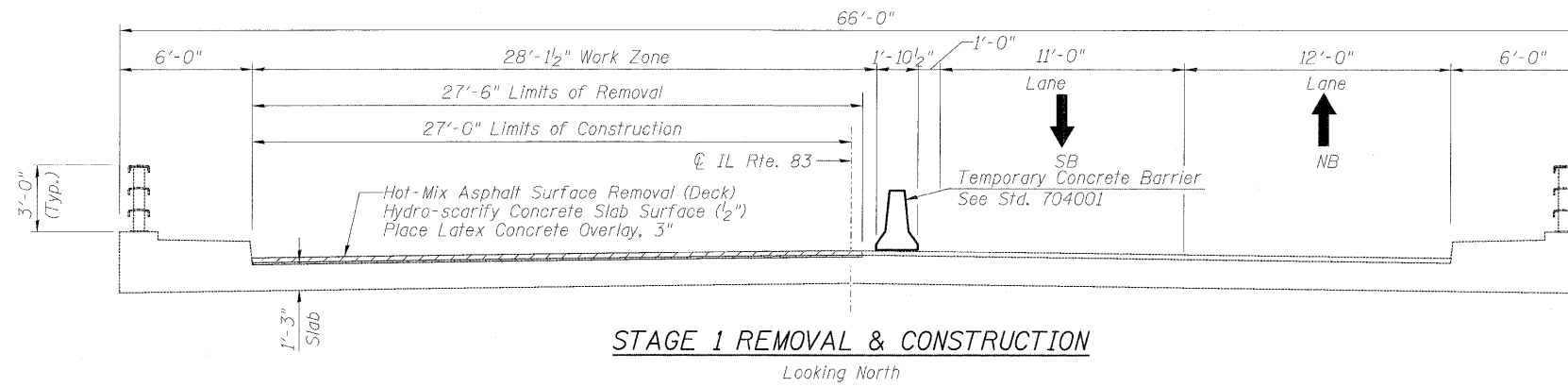
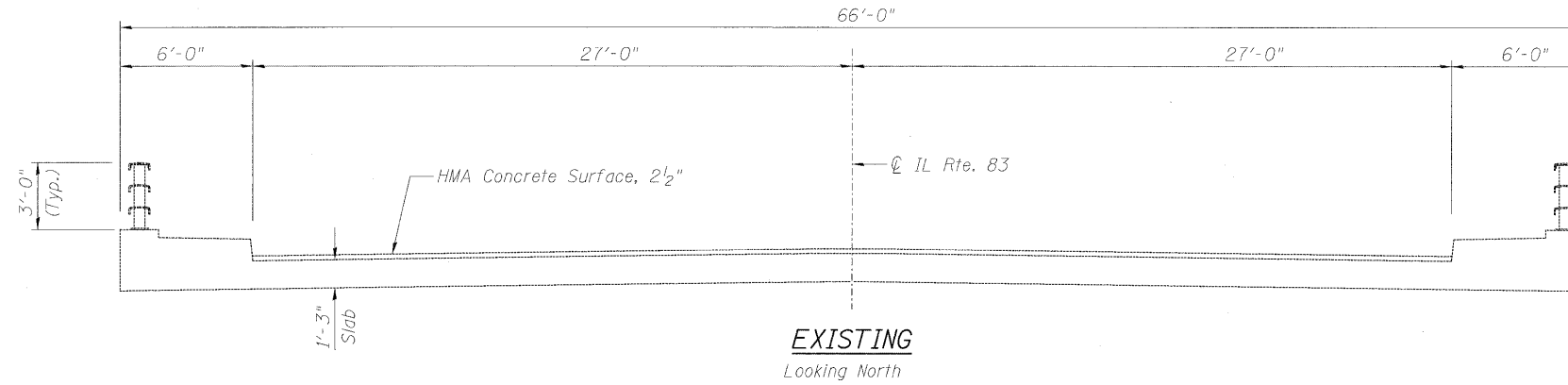


STATE OF ILLINOIS  
DEPARTMENT OF TRANSPORTATION



**LEGEND:**

- Hot-Mix Asphalt Surface Removal
- Bridge Deck Hydro-scarification 1/2"

**STAGE CONSTRUCTION DETAILS**  
**STRUCTURE NO. 016-0558**

DESIGNED	JPM
CHECKED	TG
DRAWN	MPS
CHECKED	JPM, TG



100 S. WACKER DRIVE, SUITE 700, CHICAGO, IL 60606, P312-685-0180 F312-626-0415

SHEET NO. S2	F.A.P. RTE.	SECTION	COUNTY	TOTAL SHEETS	SHEET NO.
	344	97 B-I-1	COOK	16	9
55 SHEETS	CONTRACT NO. 60J60			ILLINOIS FED. AID PROJECT	