

F.A. RTE.	SECTION	COUNTY	TOTAL SHEETS	SHEET NO.
344	97B-1-1	COOK	16	1
FED ROAD DIST No. 1		ILLINOIS	CONTRACT No. 60J60	

STATE OF ILLINOIS
DEPARTMENT OF TRANSPORTATION
DIVISION OF HIGHWAYS

PROPOSED
HIGHWAY PLANS

FAP 344 / IL 83 (ELMHURST RD.) AT McDONALD CREEK
BRIDGE DECK OVERLAY, JOINT REPAIR
SECTION 97 B-1-1
PROJECT NO. NHF-0344(051)
COOK COUNTY
C-91-250-10

FOR INDEX OF SHEETS, SEE SHEET NO. 2

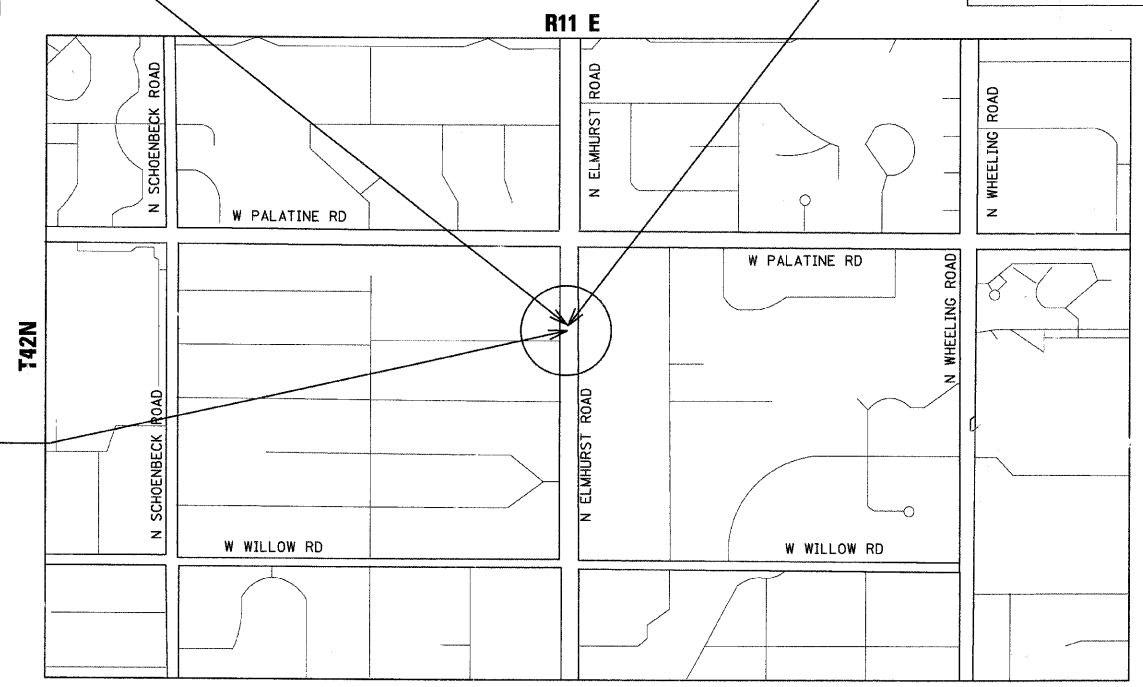
TRAFFIC DATA:
EXISTING ADT IL 83 20300 (2007)
POSTED SPEED = 40 MPH



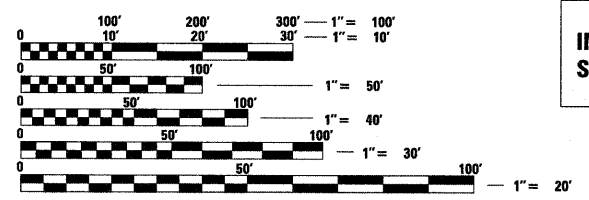
PROJECT LOCATION
IL 83 OVER McDONALD CREEK
STRUCTURE NO. 016-0558

IMPROVEMENT ENDS
STA. 744 + 00.00

IMPROVEMENT BEGINS
STA. 743 + 36.83



PROJECT IS LOCATED IN THE
CITY OF PROSPECT HEIGHTS



FULL SIZE PLANS HAVE BEEN PREPARED USING STANDARD ENGINEERING SCALES. REDUCED SIZED PLANS WILL NOT CONFORM TO STANDARD SCALES. IN MAKING MEASUREMENTS ON REDUCED PLANS, THE ABOVE SCALES MAY BE USED.

J.U.L.I.E.
JOINT UTILITY LOCATION INFORMATION FOR EXCAVATION
1-800-892-0123 OR 811

PROJECT MANAGER RAJENDRA SHAH (847) 705-4555
PROJECT ENGINEER MICHELLE AQUINO (847) 705-4606
CONTRACT NO. 60J60

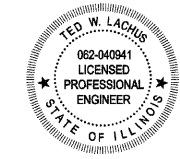
GROSS LENGTH OF PROJECT = 63.17 FEET = 0.012 MILES
NET LENGTH OF PROJECT = 63.17 FEET = 0.012 MILES

STATE OF ILLINOIS
DEPARTMENT OF TRANSPORTATION
DIVISION OF HIGHWAYS

SUBMITTED JANUARY 22, 2010
Diana M. O'Keefe *gc*
DEPUTY DIRECTOR OF HIGHWAYS, REGION ENGINEER
March 19 2010
Scott E. Stitt, P.E. *ka*
ACTING ENGINEER OF DESIGN AND ENVIRONMENT
March 19 2010
Christina M. Reed *ka*
DIRECTOR OF HIGHWAYS, CHIEF ENGINEER

PRINTED BY THE AUTHORITY
OF THE STATE OF ILLINOIS

Primera
100 S. WACKER DRIVE SUITE 700. CHICAGO IL 60606.
P:312-606-0910 F:312-606-0415



Ted W. Lachus
TED W. LACHUS, P.E.
EXPIRES 11-30-2011
DATE 1-29-2010

INDEX OF SHEETS

- 1 COVER SHEET
- 2 INDEX OF SHEETS AND GENERAL NOTES
- 3 SUMMARY OF QUANTITIES
- 4 MOT GENERAL NOTES & CONSTRUCTION SEQUENCING
- 5 SUGGESTED STAGE OF CONSTRUCTION, STAGE 1
- 6 SUGGESTED STAGE OF CONSTRUCTION, STAGE 2
- 7 PAVEMENT MARKINGS
- 8 GENERAL PLAN AND ELEVATION
- 9 STAGE CONSTRUCTION DETAILS
- 10 TEMPORARY CONCRETE BARRIER
- 11 BRIDGE APPROACH PATCHING & TRANSVERSE EXPANSION JOINT RECONSTRUCTION DETAILS
- 12 ABUTMENT REPAIR DETAILS
- 13 TC-10 DISTRICT ONE TRAFFIC CONTROL AND PROTECTION FOR SIDE ROADS, INTERSECTIONS AND DRIVEWAYS
- 14 TC-11 DISTRICT ONE TYPICAL APPLICATIONS RAISED REFLECTIVE PAVEMENT MARKERS
- 15 TC-13 DISTRICT ONE TYPICAL PAVEMENT MARKINGS
- 16 TC-22 DISTRICT ONE ARTERIAL ROAD INFORMATION SIGN

STATE STANDARDS

- 000001-05 STANDARD SYMBOLS, ABBREVIATIONS AND PATTERNS
- 001001-02 AREAS OF REINFORCEMENT BARS
- 001006 DECIMAL OF AN INCH AND OF A FOOT
- 701311-03 LANE CLOSURE 2 LANE 2 WAY MOVING OPERATIONS DAY ONLY
- 701602-04 URBAN LANE CLOSURE, MULTILANE, 2W WITH BIDIRECTIONAL LEFT TURN LANE
- 701901-01 TRAFFIC CONTROL DEVICES

GENERAL NOTES:

1. THESE PLANS HAVE BEEN PREPARED FROM INFORMATION ACQUIRED FROM EXISTING PLANS AND NOTES RECEIVED FROM IDOT FIELD MAINTENANCE ENGINEERS.
2. PLAN DIMENSIONS AND DETAILS RELATIVE TO EXISTING PLANS ARE SUBJECT TO VARIATIONS FOUND IN THE FIELD. THE CONTRACTOR SHALL FIELD VERIFY EXISTING DIMENSIONS AND DETAILS AFFECTING NEW CONSTRUCTION AND MAKE NECESSARY ADJUSTMENTS PRIOR TO CONSTRUCTION OR ORDERING MATERIALS. ANY ADJUSTMENTS PROPOSED BY THE CONTRACTOR MUST BE APPROVED BY THE ENGINEER. SUCH VARIATIONS SHALL NOT BE CAUSE FOR ADDITIONAL COMPENSATION FOR A CHANGE IN THE SCOPE OF THE WORK, HOWEVER, THE CONTRACTOR WILL BE PAID FOR THE QUANTITY ACTUALLY FURNISHED, BASED UPON THE UNIT PRICE.
3. QUANTITIES FOR DECK SLAB REPAIR ARE APPROXIMATE. LOCATIONS WILL BE DETERMINED BY THE ENGINEER FOLLOWING REMOVAL OF THE HMA SURFACE COURSE AND HYDRO-SCARIFICATION. ACTUAL REPAIR LOCATIONS SHALL BE SHOWN ON THE AS-BUILT PLANS.
4. FORTY- EIGHT HOURS BEFORE STARTING EXCAVATION, THE CONTRACTOR WILL CALL J.U.L.I.E. (1-800-892-0123) OR 811 FOR LOCATIONS OF THE EXISTING UTILITIES.
5. THE CONTRACTOR WILL NOT BE ALLOWED TO SET UP A YARD OR FIELD OFFICE ON STATE PROPERTY WITHOUT WRITTEN PERMISSION FROM THE DEPARTMENT.
6. SAW CUTTING PRIOR TO ANY REMOVAL ITEMS NOTED ON THE PLANS OR DIRECTED BY THE ENGINEER SHALL BE CONSIDERED INCLUDED IN THE COST OF THE ITEMS BEING REMOVED.
7. DO NOT SCALE PLANS FOR CONSTRUCTION DIMENSIONS.
8. THE CONTRACTOR SHALL USE CARE IN REMOVING OR EXCAVATING NEAR ALL EXISTING ITEMS WHICH WILL REMAIN. ANY DAMAGE DONE TO EXISTING ITEMS BY THE CONTRACTOR SHALL BE REPAIRED AT THE CONTRACTOR'S EXPENSE.
9. WHEN ARTIFICIAL LIGHTING IS UTILIZED IN NIGHT OPERATIONS, THE CONTRACTOR SHALL EXERCISE THE UTMOST PRECAUTIONS IN PREVENTING ADVERSE VISIBILITY TO THE MOTORING PUBLIC AS WELL AS ADJOINING RESIDENTIAL AREAS.
10. THE CONTRACTOR SHALL OBTAIN ALL NECESSARY PERMITS, AS REQUIRED, PRIOR TO COMMENCING WITH CONSTRUCTION.
11. THE CONTRACTOR SHALL TAKE ALL NECESSARY MEASURES TO ASSURE THAT NO DEBRIS FALLS INTO THE WATERWAY. THE COST OF THIS WORK SHALL BE INCLUDED IN THE VARIOUS PAY ITEMS.
12. THE CONTRACTOR SHALL CONTACT THE TRAFFIC CONTROL SUPERVISOR AT (847) 705-4470 A MINIMUM OF 72 HOURS PRIOR TO THE PLACEMENT OF ANY TEMPORARY TRAFFIC CONTROL DEVICES.
13. THE ENGINEER SHALL CONTACT WALTER CZARNY, THE AREA TRAFFIC FIELD ENGINEER, AT (847) 715-8419 AT LEAST TWO (2) WEEKS PRIOR TO THE PLACEMENT OF PERMANENT PAVEMENT MARKINGS.
14. ALL DAMAGE TO EXISTING PAVEMENT MARKINGS OUTSIDE THE PROPOSED IMPROVEMENTS SHOWN ON THE PLANS SHALL BE REPLACED AT THE CONTRACTOR'S EXPENSE.
15. ALL RAISED REFLECTIVE PAVEMENT MARKERS (BRIDGE) SHALL BE LOW PROFILE.
16. ACCESS SHALL BE PROVIDED AT ALL TIMES TO PROPERTIES ABUTTING THE PROPOSED IMPROVEMENT.

COMMITMENTS

NONE

HOT-MIX ASPHALT MIXTURE REQUIREMENTS	
MIXTURE TYPE	AIR VOIDS
SURFACE COURSE	
HOT-MIX ASPHALT SURFACE COURSE, MIX "D", N70	4% @ 70 Gyr.
BINDER COURSE	
LEVELING BINDER (MACHINE METHOD), IL 9.5mm, N70	4% @ 50 Gyr.

THE UNIT WEIGHT USED TO CALCULATE ALL HMA SURFACE MIXTURE QUANTITIES IS 112 LBS/SQ YD/IN.

The "AC Type" for Polymerized HMA Mixes SHALL BE "SBS/SBR PG 70 -22" AND FOR NON-POLYMERIZED HMA THE "AC TYPE" shall be "PG 64 -22" UNLESS modified by District ONE Special Provisions. FOR "PERCENT OF RAP" SEE DISTRICT ONE SPECIAL PROVISIONS.

Note: For proposed section see sheet number S4.

SUMMARY OF QUANTITIES				CONSTRUCTION TYPE CODE	
CODE NO.	ITEM DESCRIPTION	UNIT	URBAN TOTAL QUANTITY	016-0558 SFTY-2A QUANTITY	
40600637	LEVELING BINDER (MACHINE METHOD), IL-9.5 ^{FG} , N70	TON	21	21	
40603340	HOT-MIX ASPHALT SURFACE COURSE, MIX "D", N70	TON	21	21	
42001300	PROTECTIVE COAT	SQ YD	138	138	
44000159	HOT-MIX ASPHALT SURFACE REMOVAL, 2 1/2"	SQ YD	240	240	
44000915	HOT-MIX ASPHALT SURFACE REMOVAL (DECK)	SQ YD	138	138	
50300260	BRIDGE DECK GROOVING	SQ YD	133	133	
67000400	ENGINEER'S FIELD OFFICE, TYPE A	CAL MO	3	3	
67100100	MOBILIZATION	L SUM	1	1	
70101800	TRAFFIC CONTROL AND PROTECTION, (SPECIAL)	L SUM	1	1	
70103815	TRAFFIC CONTROL SURVEILLANCE	CAL DA	20	20	
70106800	CHANGEABLE MESSAGE SIGN	CAL MO	10	10	
70301000	WORK ZONE PAVEMENT MARKING REMOVAL	SQ FT	1595	1595	
70400100	TEMPORARY CONCRETE BARRIER	FOOT	260	260	
70400200	RELOCATE TEMPORARY CONCRETE BARRIER	FOOT	260	260	
* 78000200	THERMOPLASTIC PAVEMENT MARKING - LINE 4"	FOOT	3473	3473	

SUMMARY OF QUANTITIES				CONSTRUCTION TYPE CODE	
CODE NO.	ITEM DESCRIPTION	UNIT	URBAN TOTAL QUANTITY	016-0558 SFTY-2A QUANTITY	
* 78000600	THERMOPLASTIC PAVEMENT MARKING - LINE 12"	FOOT	136	136	
* 78006110	PREFORMED THERMOPLASTIC PAVEMENT MARKING - LINE 4"	FOOT	58	58	
* 78100100	RAISED REFLECTIVE PAVEMENT MARKER	EACH	84	84	
* 78100105	RAISED REFLECTIVE PAVEMENT MARKER (BRIDGE)	EACH	12	12	
78300100	PAVEMENT MARKING REMOVAL	SQ FT	1313	1313	
78300200	RAISED REFLECTIVE PAVEMENT MARKER REMOVAL	EACH	96	96	
X0320887	POLYMER CONCRETE	CUFT	7	7	
X0322256	TEMPORARY INFORMATION SIGNING	SQ FT	51	51	
X0325305	STRUCTURAL REPAIR OF CONCRETE (DEPTH EQUAL TO OR LESS THAN 5 INCHES)	SQ FT	54	54	
X0325775	WET REFLECTIVE TEMPORARY TAPE, TYPE III, 4 INCH	FOOT	5085	5085	
X0326346	BRIDGE DECK LATEX CONCRETE OVERLAY, 3 INCHES	SQ YD	138	138	
Z0001800	APPROACH SLAB REPAIR (PARTIAL DEPTH)	SQ YD	5	5	
Z0006204	BRIDGE DECK HYDRO-SCARIFICATION 1/2"	SQ YD	138	138	
Z0030250	IMPACT ATTENUATORS, TEMPORARY (NON-REDIRECTIVE), TEST LEVEL 3	EACH	2	2	
Z0030350	IMPACT ATTENUATORS, RELOCATE (NON-REDIRECTIVE), TEST LEVEL 3	EACH	2	2	

FILE NAME =
FILEL



DESIGNED VEA
DRAWN VEA
CHECKED TWL
DATE 1/29/2010

REVISED -
REVISED -
REVISED -
REVISED -

STATE OF ILLINOIS
DEPARTMENT OF TRANSPORTATION

SUMMARY OF QUANTITIES

SCALE: SHEET NO. OF SHEETS STA. TO STA.

*SPECIALTY ITEMS

F.A.P. RTE.	SECTION	COUNTY	TOTAL SHEETS	SHEET NO.
344	97 B-1-1	COOK	16	3
CONTRACT NO. 60J60				
ILLINOIS FED. AID PROJECT				

Rev

MAINTENANCE OF TRAFFIC GENERAL NOTES

1. THE MAINTENANCE OF TRAFFIC CONTROL (MOT) PLANS SHALL SERVE AS A GUIDE FOR SAFE DIVERSION OF TRAFFIC DURING EXECUTION OF THIS CONTRACT. HOWEVER, THE CONTRACTOR MAY MODIFY THE MOT PLANS TO MEET CONSTRUCTION NEEDS BUT NOT AT THE EXPENSE OF PUBLIC SAFETY OR CONVENIENCE. ANY CHANGES TO THE MOT PLANS SHALL BE SUBMITTED TO THE ENGINEER FOR APPROVAL.
2. THE ENGINEER SHALL BE INFORMED 48 HOURS IN ADVANCE OF ANY CHANGE TO THE MOT PLANS.
3. ALL EXISTING PAVEMENT MARKINGS IN CONFLICT WITH THE MAINTENANCE OF TRAFFIC STRIPING SHALL BE REMOVED THIS WORK WILL BE PAID FOR AT THE CONTRACT UNIT PRICE PER SQUARE FOOT, "PAVEMENT MARKING REMOVAL".

THE CONTRACTOR SHALL REMOVE ALL TEMPORARY PAVEMENT MARKING TAPE WHICH CONFLICTS WITH THE NEXT STAGE OR FINAL STRIPING. REMOVAL OF TEMPORARY PAVEMENT MARKING TAPE WILL BE PAID FOR AT THE CONTRACT UNIT PRICE PER FOOT, "WORK ZONE PAVEMENT MARKING REMOVAL".
4. ALL TRAFFIC CONTROL DEVICES USED FOR THE MAINTENANCE AT TRAFFIC, AS DETAILED ON THE PLANS, OR HIGHWAY STANDARD SHALL BE REFLECTORIZED PRIOR TO INSTALLATION AND CLEANED AS SPECIFIED IN MAINTENANCE OF TRAFFIC SPECIAL PROVISIONS OR AS DIRECTED BY THE ENGINEER.
5. ALL TRAFFIC CONTROL DEVICES USED FOR THE MAINTENANCE AT TRAFFIC, AS DETAILED ON THE PLANS, OR HIGHWAY STANDARD SHALL BE REFLECTORIZED PRIOR TO INSTALLATION AND CLEANED AS SPECIFIED IN MAINTENANCE OF TRAFFIC SPECIAL PROVISIONS OR AS DIRECTED BY THE ENGINEER.
6. ALL DRUMS, VERTICAL PANELS AND BARRICADES ADJECENT TO THE EDGE OF TRAVELED WAY SHALL BE EQUIPPED WITH STEADY-BURNING LIGHTS.
7. ALL EXISTING SIGNS WITHIN THE LIMITS OF MAINTENANCE OF TRAFFIC WHICH ARE OBSCURED BY OR OTHERWISE INTERFERED WITH BY THE CONSTRUCTION OPERATIONS AND MAINTENANCE OF TRAFFIC, SHALL BE COVERED OR REMOVED BY THE CONTRACTOR UNLESS SPECIFIED IN THE PLANS OR WHEN DIRECTED BY THE ENGINEER. THIS WORK SHALL BE IN ACCORDANCE WITH ARTICLE 107.25 OF THE IDOT STANDARD SPECIFICATIONS.
8. TEMPORARY, OFF-PEAK HOUR LANE CLOSURES MUST BE REQUESTED THROUGH THE ENGINEER AND AS SPECIFIED IN THE SPECIAL PROVISIONS, WHEN OFF-PEAK HOUR OR WEEKEND LANE CLOSURES ARE REQUIRED, A PORTABLE CHANGEABLE MESSAGE SIGN SHALL BE INSTALLED ONE WEEK PRIOR TO THE CLOSURE. THE MESSAGE SIGN WORDING AND LOCATION WILL BE DETERMINED BY THE ENGINEER.
9. THE CONTRACTOR SHALL PLACE A CHANGEABLE MESSAGE SIGN AT EACH END OF THE PROJECT AND/OR AS DIRECTED BY THE ENGINEER TO INFORM MOTORISTS OF UPCOMING CONSTRUCTION ACTIVITIES. THE MESSAGE SIGNS WITH THE APPROPRIATE INFORMATION SHALL BE IN PLACED TWO WEEKS BEFORE START OF CONSTRUCTION ACTIVITY. THIS WORK IS TO BE PAID FOR AT THE CONTRACT UNIT PRICE PER CALENDAR MONTH, "CHANGEABLE MESSAGE SIGN".
10. ALL TEMPORARY INFORMATION SIGNS SHALL BE PAID FOR SEPARATELY AT THE CONTRACT UNIT PRICE PER SQUARE FEET FOR "TEMPORARY INFORMATION SIGNING".
11. FOR ADDITIONAL BRIDGE CONSTRUCTION STAGING INFORMATION, SEE STRUCTURAL PLANS.

SUGGESTED CONSTRUCTION SEQUENCING

PRESTAGE

CONSTRUCTION:
IMPLEMENT STAGE 1 MOT PAVEMENT MARKING AND TRAFFIC CONTROL

MAINTENANCE OF TRAFFIC:
UTILIZE STANDARDS 701602-04 AND 701311-03.

STAGE 1

CONSTRUCTION:
SOUTHBOUND LANES: REMOVE BITUMINOUS OVERLAY, HYDROSCARIFY CONCRETE SLAB SURFACE, DECK REPAIRS, PLACE LATEX CONCRETE OVERLAY, AND SUBSTRUCTURE REPAIRS.

MAINTENANCE OF TRAFFIC:
UTILIZE MAINTENANCE OF TRAFFIC DETAILS IN THE PLANS AND STANDARD 701602-04.

STAGE 2


CONSTRUCTION:
NORTHBOUND LANES: REMOVE BITUMINOUS OVERLAY, HYDROSCARIFY CONCRETE SLAB SURFACE & FULL DEPTH SLAB REPAIRS, PLACE LATEX CONCRETE OVERLAY, AND SUBSTRUCTURE REPAIRS.

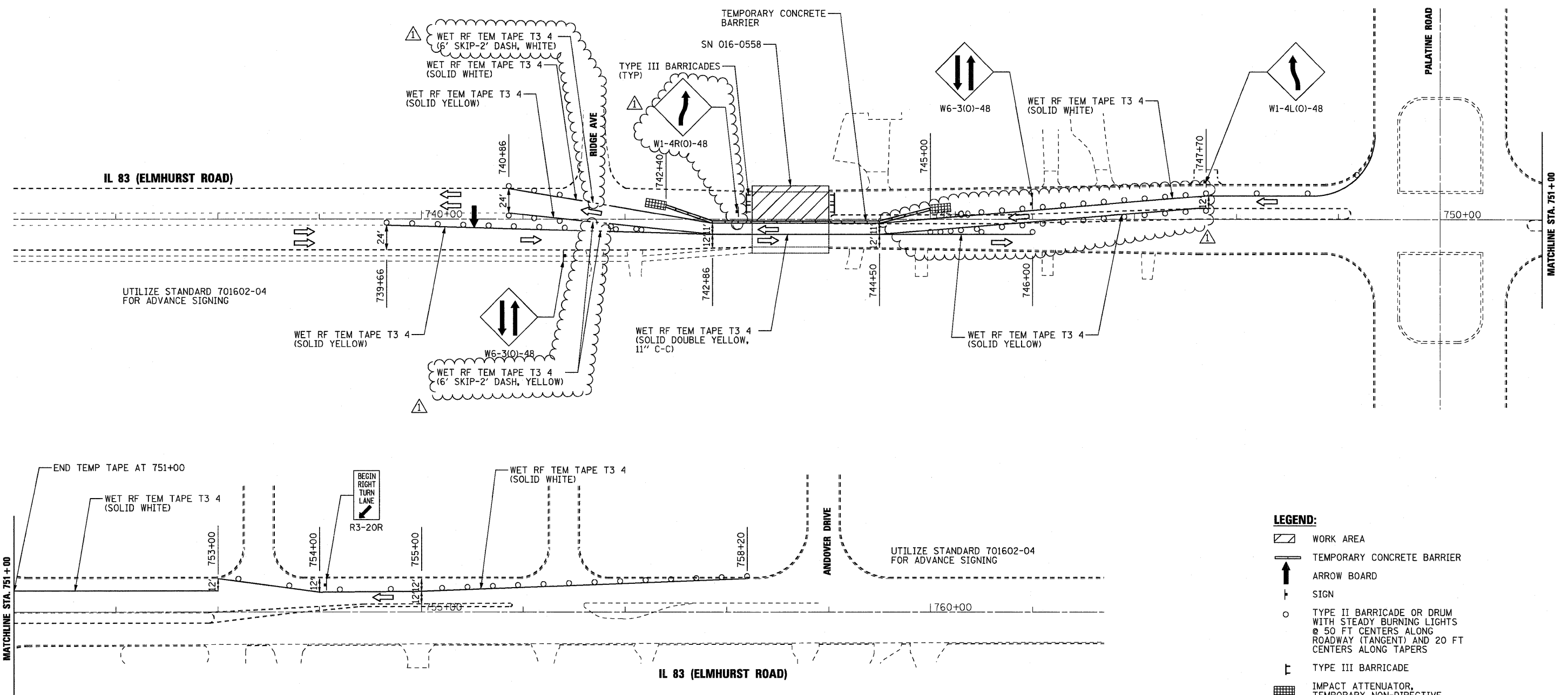
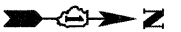
MAINTENANCE OF TRAFFIC:
UTILIZE MAINTENANCE OF TRAFFIC DETAILS IN THE PLANS AND STANDARD 701602-04.

STAGE 3

CONSTRUCTION:
PLACE FINAL PAVEMENT MARKINGS AND RAISED REFLECTIVE MARKERS.

MAINTENANCE OF TRAFFIC:
UTILIZE STANDARDS 701602-04 AND 701311-03.

FILE NAME = #FILE#		DESIGNED TWL	REVISED -	STATE OF ILLINOIS DEPARTMENT OF TRANSPORTATION	MOT GENERAL NOTES AND SUGGESTED CONSTRUCTION SEQUENCING			F.A.P. RTE.	SECTION	COUNTY	TOTAL SHEETS	SHEET NO.
		DRAWN VEA	REVISED -					344	97 B-1-1	COOK	16	4
CHECKED SF	REVISED -				CONTRACT NO. 60J60							
DATE 1/29/2010	REVISED -	SCALE:	SHEET NO.		OF	SHEETS	STA.	TO STA.	ILLINOIS FED. AID PROJECT			



- LEGEND:**
- WORK AREA
 - TEMPORARY CONCRETE BARRIER
 - ARROW BOARD
 - SIGN
 - TYPE II BARRICADE OR DRUM WITH STEADY BURNING LIGHTS @ 50 FT CENTERS ALONG ROADWAY (TANGENT) AND 20 FT CENTERS ALONG TAPERS
 - TYPE III BARRICADE
 - IMPACT ATTENUATOR, TEMPORARY NON-DIRECTIVE
 - DIRECTION OF TRAFFIC

ADDENDUM NO. 1 - 3/26/2010

FILE NAME =
#FILE#



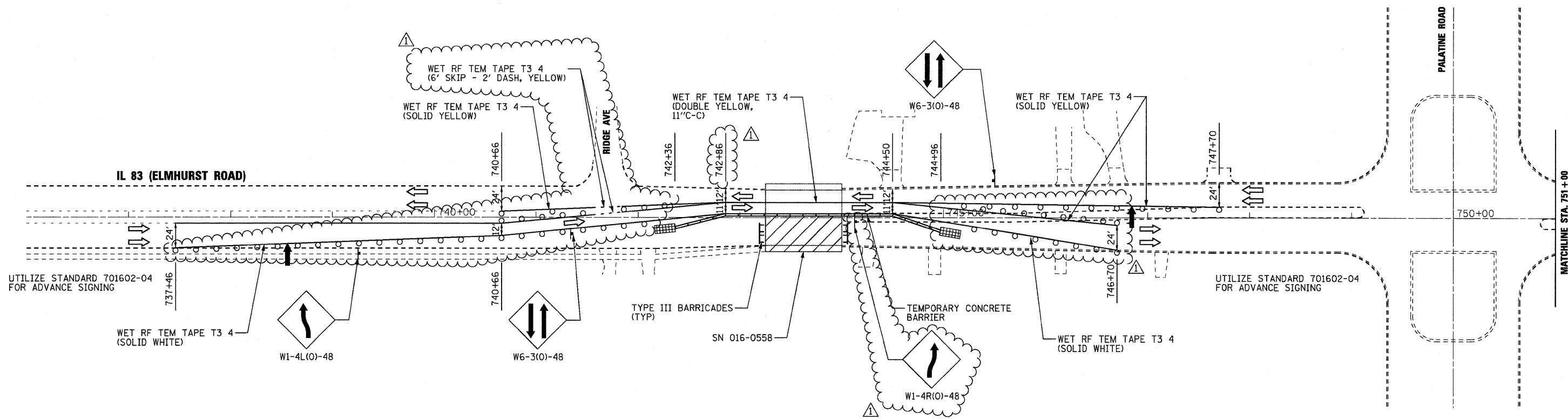
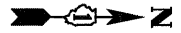
DESIGNED	TWL	REVISED	-	2/3/2010
DRAWN	JLS	REVISED	-	2/22/2010
CHECKED	SF	REVISED	-	
DATE	1/29/2010	REVISED	-	

STATE OF ILLINOIS
DEPARTMENT OF TRANSPORTATION

SUGGESTED STAGE OF CONSTRUCTION & TRAFFIC CONTROL
STAGE 1
IL 83 (ELMHURST RD.)

F.A.P. RTE.	SECTION	COUNTY	TOTAL SHEETS	SHEET NO.
344	97 B-1-1	COOK	16	5
CONTRACT NO. 60J60				
ILLINOIS FED. AID PROJECT				

SCALE: 1" = 50' SHEET NO. OF SHEETS STA. TO STA.



UTILIZE STANDARD 701602-04 FOR ADVANCE SIGNING

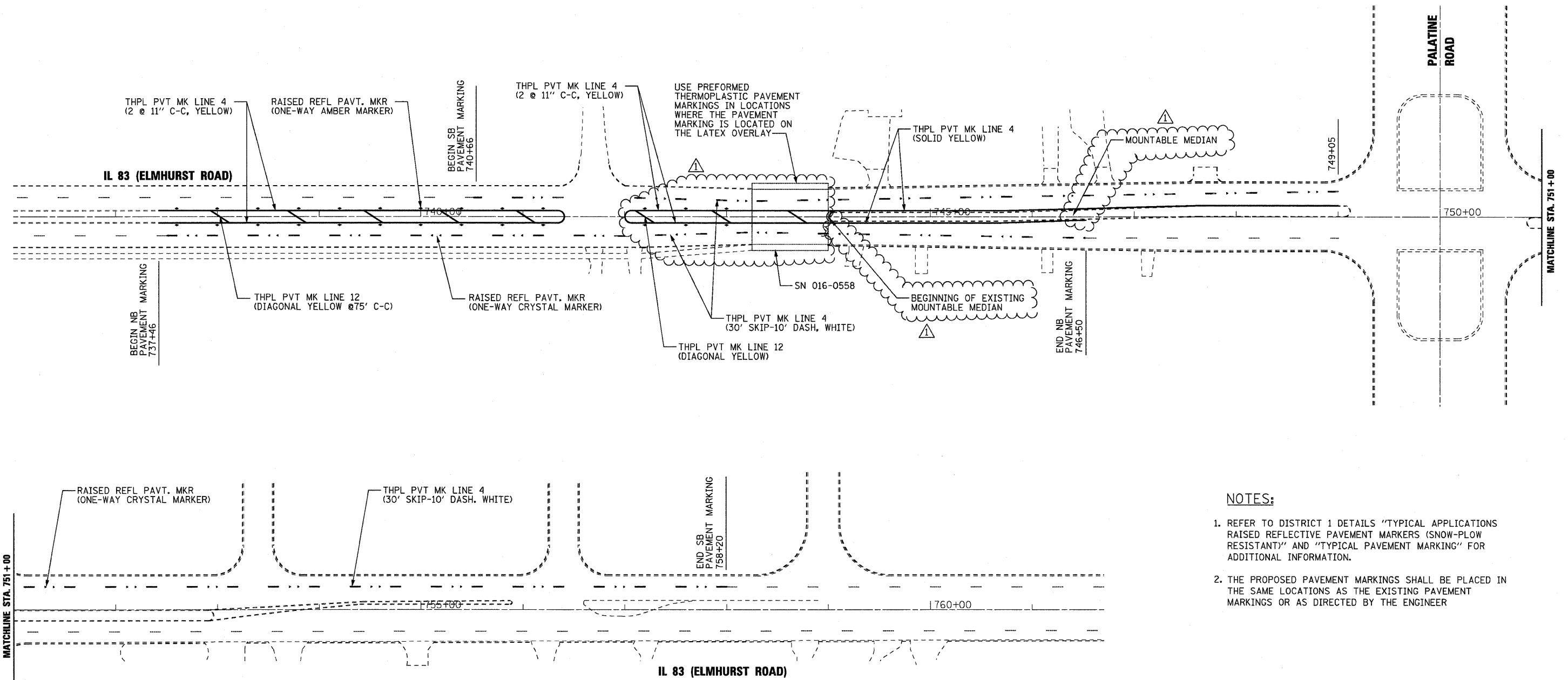
UTILIZE STANDARD 701602-04 FOR ADVANCE SIGNING

LEGEND:

- WORK AREA
- TEMPORARY CONCRETE BARRIER
- ARROW BOARD
- SIGN
- TYPE II BARRICADE OR DRUM WITH STEADY BURNING LIGHTS @ 50 FT CENTERS ALONG ROADWAY (TANGENT) AND 20 FT CENTERS ALONG TAPERS
- TYPE III BARRICADE
- IMPACT ATTENUATOR, TEMPORARY NON-DIRECTIVE
- DIRECTION OF TRAFFIC

ADDENDUM NO. 1 - 3/26/2010

FILE NAME = *FILEL*	Primera	DESIGNED TWL	REVISED - 2/3/2010	STATE OF ILLINOIS DEPARTMENT OF TRANSPORTATION	SUGGESTED STAGE OF CONSTRUCTION & TRAFFIC CONTROL				F.A.P. RTE.	SECTION	COUNTY	TOTAL SHEETS	SHEET NO.
		DRAWN JLS	REVISED - 2/22/2010		STAGE 2				344	97 B-1-1	COOK	16	6
CHECKED SF	REVISED -	IL 83 (ELMHURST RD.)				CONTRACT NO. 60J60							
DATE 1/29/2010	REVISED -	SCALE: 1" = 50'	SHEET NO.		OF SHEETS	STA.	TO STA.	ILLINOIS FED. AID PROJECT					



NOTES:

1. REFER TO DISTRICT 1 DETAILS "TYPICAL APPLICATIONS RAISED REFLECTIVE PAVEMENT MARKERS (SNOW-PLOW RESISTANT)" AND "TYPICAL PAVEMENT MARKING" FOR ADDITIONAL INFORMATION.
2. THE PROPOSED PAVEMENT MARKINGS SHALL BE PLACED IN THE SAME LOCATIONS AS THE EXISTING PAVEMENT MARKINGS OR AS DIRECTED BY THE ENGINEER

ADDENDUM NO. 1 - 3/26/2010

FILE NAME =
FILEL



DESIGNED	TWL	REVISED	-	2/3/2010
DRAWN	JLS	REVISED	-	2/22/2010
CHECKED	SF	REVISED	-	3/9/2010
DATE	1/29/2010	REVISED	-	

**STATE OF ILLINOIS
DEPARTMENT OF TRANSPORTATION**

**PAVEMENT MARKING PLAN
IL 83 (ELMHURST RD.)**

SCALE: 1" = 50' SHEET NO. OF SHEETS STA. TO STA.

F.A.P. RTE.	SECTION	COUNTY	TOTAL SHEETS	SHEET NO.
344	97 B-1-1	COOK	16	7
CONTRACT NO. 60J60				
ILLINOIS FED. AID PROJECT				

Existing Structure: SN 016-0558, built in 1961 and resurfaced in 2000 as a single span Reinforced Concrete slab. The structure measures 66'-0" Out to Out Deck and 23'-0" End to End Deck. The substructure consists of Reinforced Concrete closed abutments. Traffic is to be maintained utilizing stage construction.

STATE OF ILLINOIS
DEPARTMENT OF TRANSPORTATION

GENERAL NOTES

Plan dimensions and details relative to existing plans are subject to nominal construction variations. The Contractor shall field verify existing dimensions and details affecting new construction and make necessary approved adjustments prior to construction or ordering of materials. Such variations shall not be cause for additional compensation for a change in scope of the work, however, the Contractor will be paid for the quantity actually furnished at the unit price bid for the work.

SCOPE OF WORK

1. Remove existing HMA overlay.
2. Hydroscarify 1/2 inch slab surface.
3. Structural Repairs of Concrete to substructures.
4. Install Polymer Concrete Nosing.
5. 3" latex concrete overlay.
6. Patch & Overlay approaches.

Reinforcement bars shall conform to the requirements of ASTM A 706 Gr 60. See Special Provisions.

Reinforcement bars designated (E) shall be epoxy coated.

DESIGN SPECIFICATIONS

2002 AASHTO Standard Specifications, 17th Edition.

DESIGN STRESSES

FIELD UNITS

$f'c = 3,500$ psi
 $f_y = 60,000$ psi

INDEX OF SHEETS

- S1 - General Plan & Elevation
- S2 - Stage Construction Details
- S3 - Temporary Concrete Barrier
- S4 - Bridge Approach Patching & Transverse Expansion Joint Reconstruction Details
- S5 - Abutment Repair Details

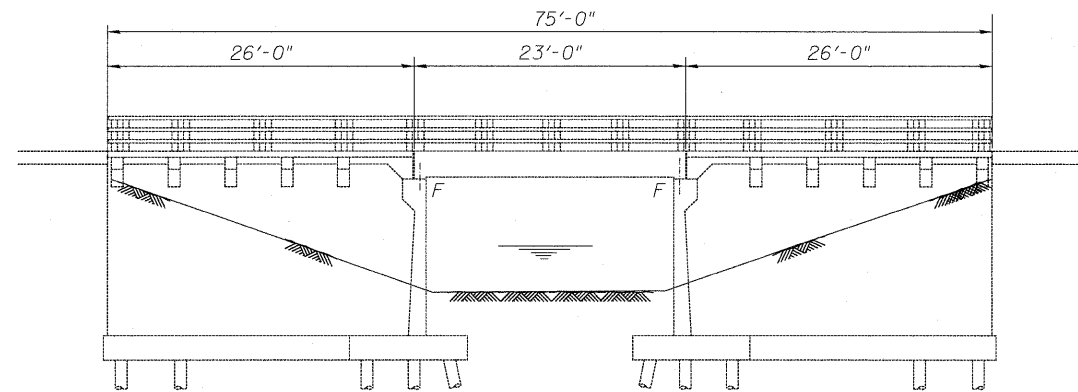
LAST DELAMINATION SURVEY

October 28, 2009

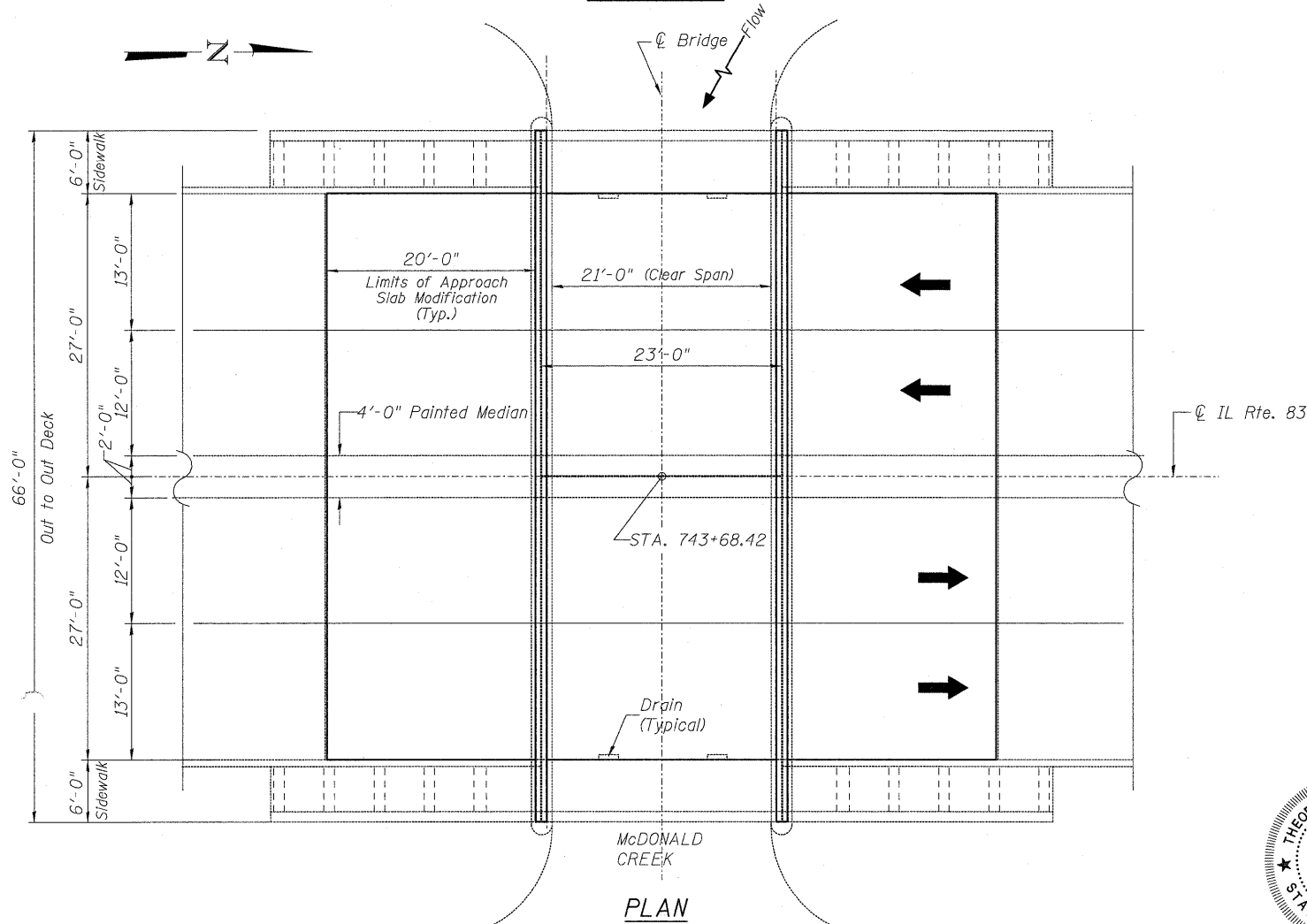
TOTAL BILL OF MATERIAL

ITEM	UNIT	SUPER	SUB	TOTAL
Hot-Mix Asphalt Surface Removal (Deck)	Sq. Yd.	138	-	138
Hot-Mix Asphalt Surface Removal, 2 1/2"	Sq. Yd.	240	-	240
Bridge Deck Hydro-scarification 1/2"	Sq. Yd.	138	-	138
Approach Slab Repair (Partial Depth)	Sq. Yd.	5	-	5
Bridge Deck Grooving	Sq. Yd.	133	-	133
Protective Coat	Sq. Yd.	138	-	138
Bridge Deck Latex Concrete Overlay, 3"	Sq. Yd.	138	-	138
Structural Repair of Concrete (Depth equal to or less than 5 inches)	Sq. Ft.	-	54	54
Leveling Binder, (Machine Method), IL9.5, N-70, 1 1/2"	Tons	21	-	21
Hot-Mix Asphalt Surface Course, Mix "D", N-70, 1 1/2"	Tons	21	-	21
Polymer Concrete	Cu. Ft.	7	-	7

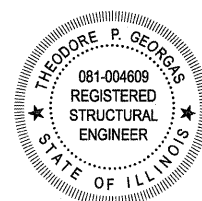
GENERAL PLAN AND ELEVATION
FAP 344/IL 83 (ELMHURST RD)
OVER McDONALD CREEK
COOK COUNTY
STATION 743+68.42
STRUCTURE NO. 016-0558



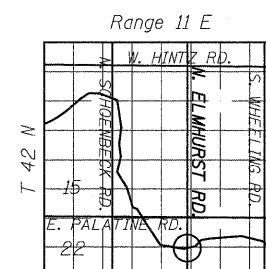
ELEVATION



PLAN



Theodore P. Georgas 3-26-10
Theodore P. Georgas Date
Licensed Structural Engineer
State of Illinois 081-4609
Expires 11/30/2010



LOCATION SKETCH

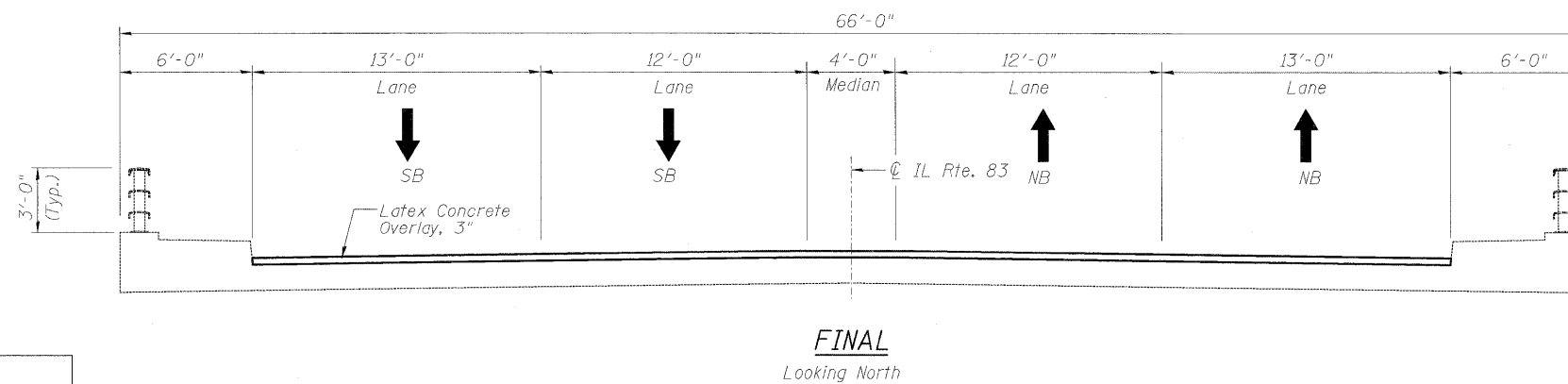
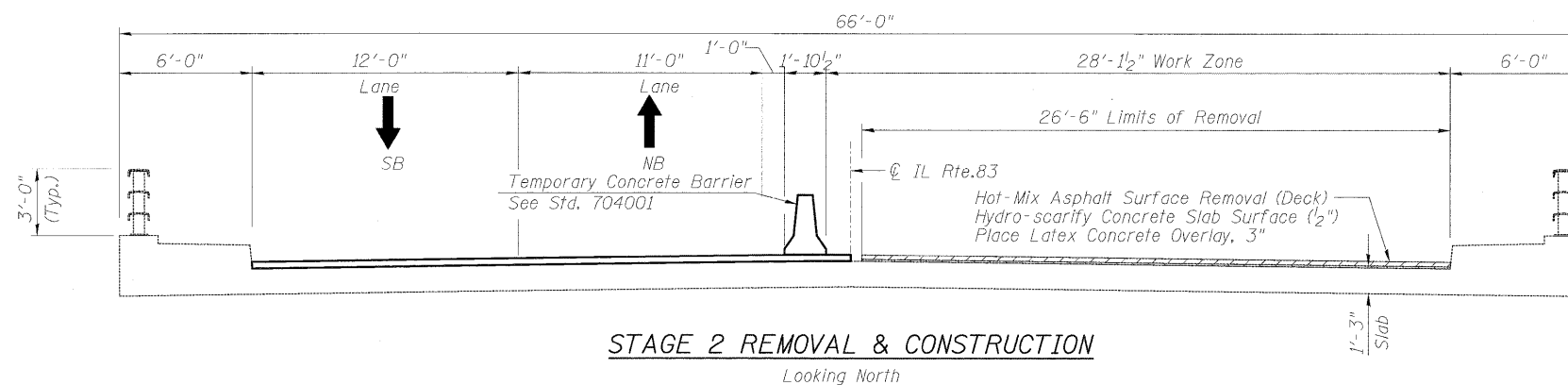
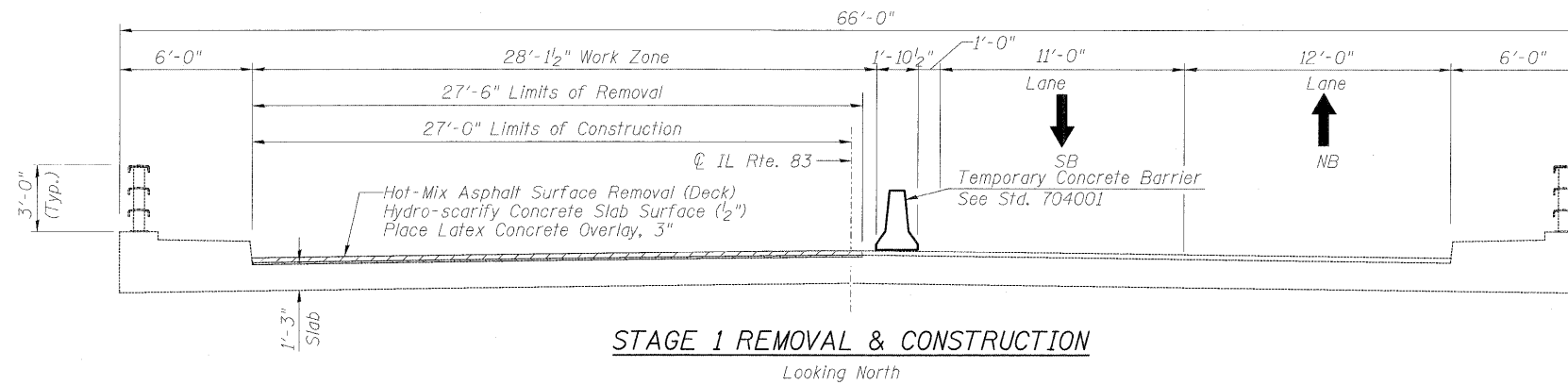
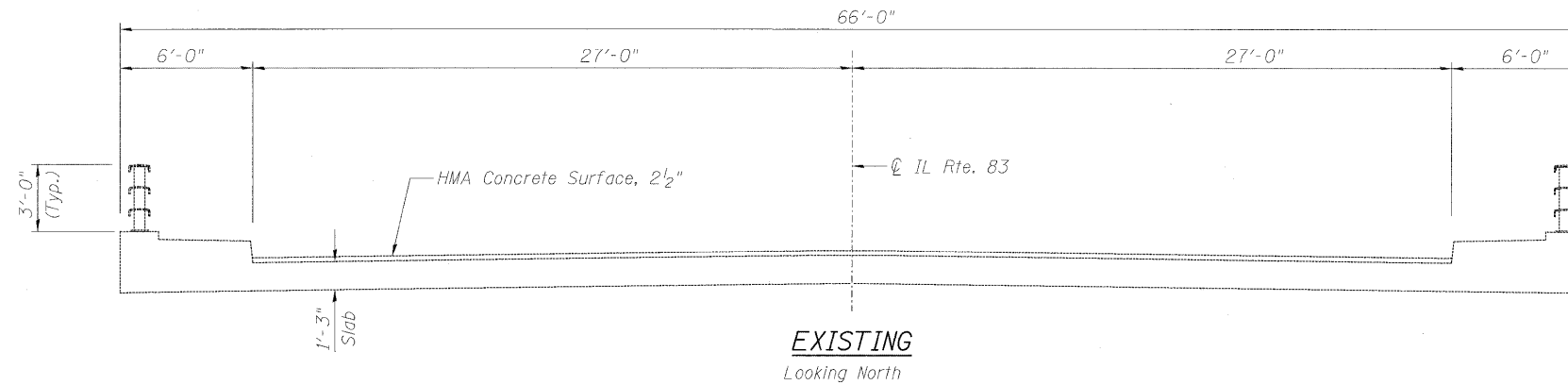
DESIGNED	JPM
CHECKED	TG
DRAWN	MPS
CHECKED	JPM, TG



△ Addendum No. 1 3-26-10

SHEET NO. S1	F.A.P. RTE.	SECTION	COUNTY	TOTAL SHEETS	SHEET NO.
	344	97 B-I-1	COOK	16	8
S5 SHEETS	CONTRACT NO. 60J60			ILLINOIS FED. AID PROJECT	

STATE OF ILLINOIS
DEPARTMENT OF TRANSPORTATION



LEGEND:

- Hot-Mix Asphalt Surface Removal
- Bridge Deck Hydro-scarification 1/2"

STAGE CONSTRUCTION DETAILS
STRUCTURE NO. 016-0558

DESIGNED	JPM
CHECKED	TG
DRAWN	MPS
CHECKED	JPM, TG

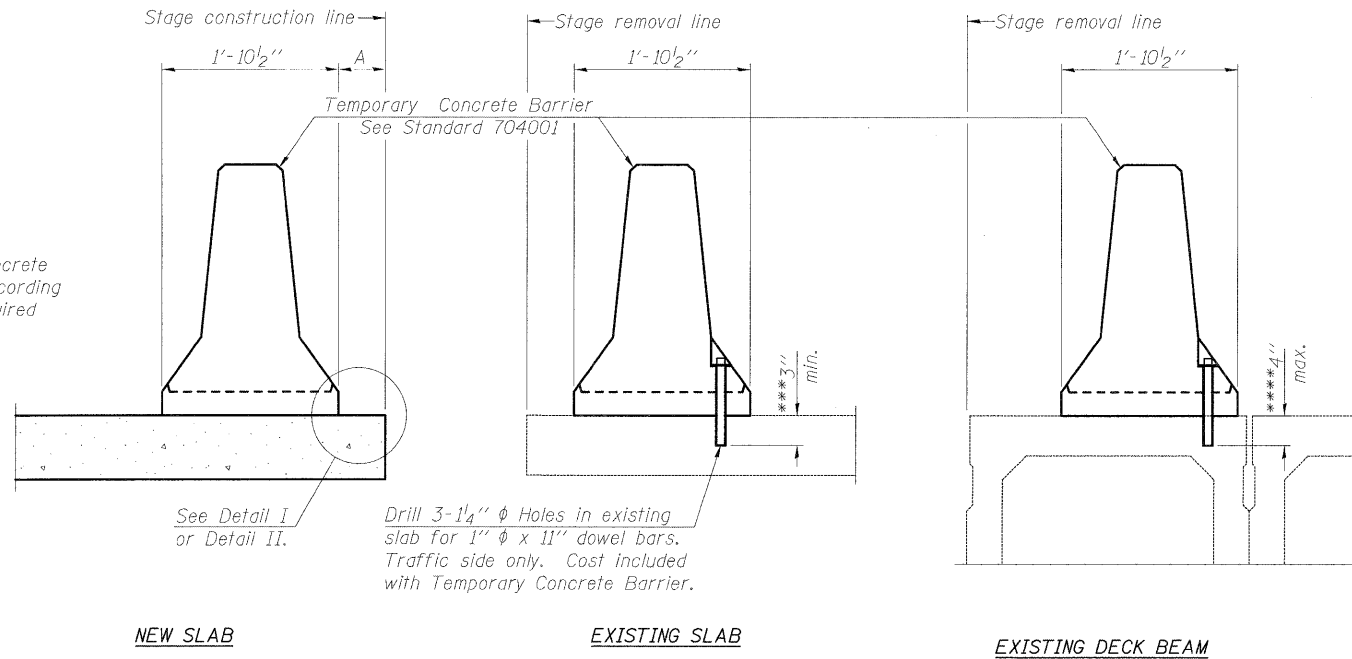


100 S. WACKER DRIVE, SUITE 700, CHICAGO, IL 60606, P312-685-0180 F312-626-0415

SHEET NO. S2	F.A.P. RTE.	SECTION	COUNTY	TOTAL SHEETS	SHEET NO.
	344	97 B-I-1	COOK	16	9
S5 SHEETS			CONTRACT NO. 60J60		
ILLINOIS FED. AID PROJECT					

STATE OF ILLINOIS
DEPARTMENT OF TRANSPORTATION

When "A" is 3'-6" or less, the temporary concrete barrier shall be anchored to the new slab according to Detail I or Detail II. No anchorage is required when "A" is greater than 3'-6".



Drill 3-1/4" ϕ Holes in existing slab for 1" ϕ x 11" dowel bars. Traffic side only. Cost included with Temporary Concrete Barrier.

NOTES

Detail I - With Bar Splicer or Couplers:
Connect one (1) 1"x7"x10" steel \bar{L} to the top layer of couplers with 2-5/8" ϕ bolts screwed to coupler at approximate \bar{C} of each barrier panel.

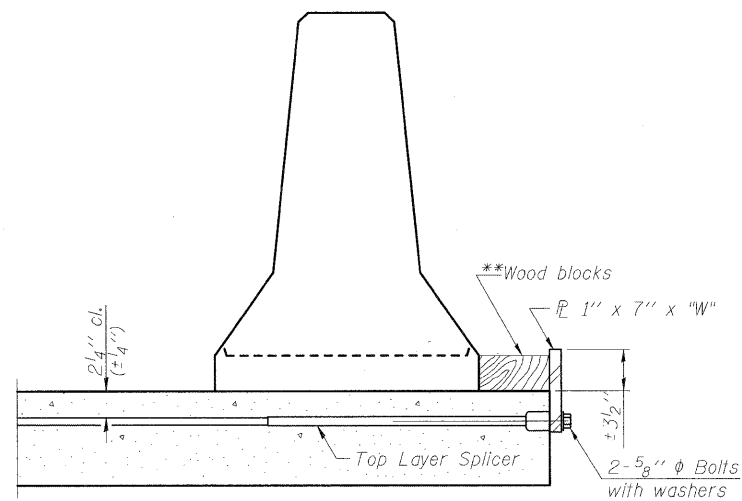
Detail II - With Extended Reinforcement Bars:
Connect one (1) 1"x7"x10" steel \bar{L} to the concrete slab or concrete wearing surface with 2-5/8" ϕ Expansion Anchors or cast in place inserts spaced between the top layer of reinforcement at approximate \bar{C} of each barrier panel.

Cost of anchorage is included with Temporary Concrete Barrier. The 1" x 7" x 10" plate shall not be removed until stage II construction forms and all reinforcement bars are in place and the concrete is ready to be placed.

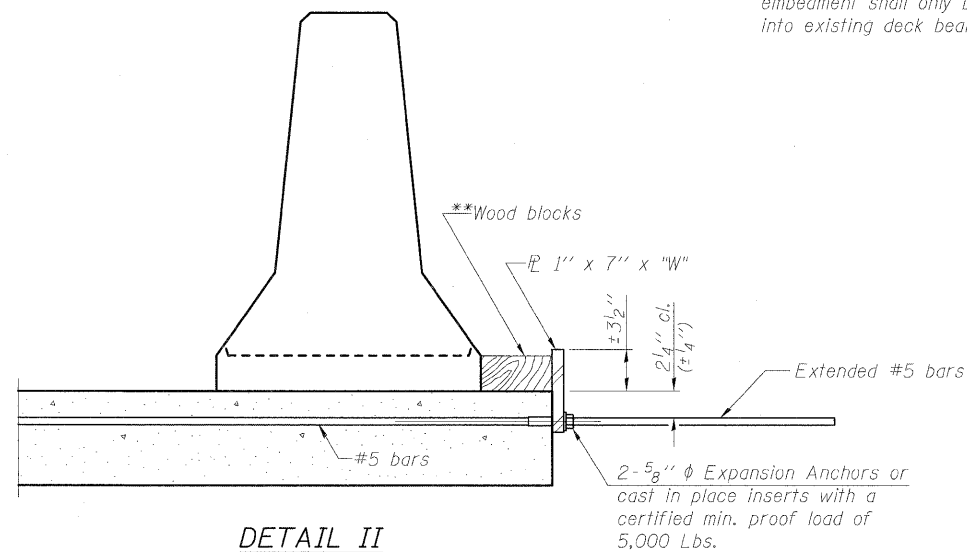
SECTIONS THRU SLAB OR DECK BEAM

*** Dimension shown is minimum required embedment into concrete. If hot-mix asphalt wearing surface is present, minimum embedment shall be in addition to wearing surface depth.

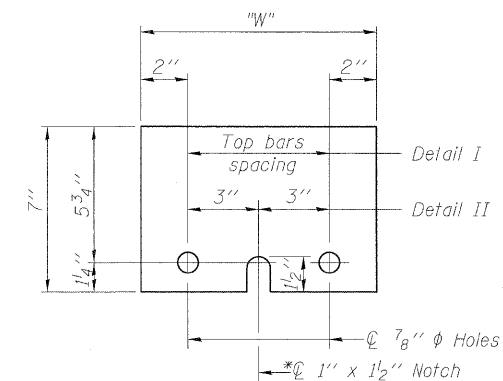
**** If existing deck beam is to remain in place after stage construction, embedment shall only be into wearing surface and not into existing deck beam concrete.



DETAIL I



DETAIL II



STEEL RETAINER \bar{L} 1" x 7" x 10"

* Required only with Detail II

** Wood blocks may be omitted when required to provide minimum stage traffic lane width. When the wood blocks are omitted, the concrete barrier shall be in direct contact with the steel retainer plate.

"W" = Top bars spacing + 4"

TEMPORARY CONCRETE BARRIER
STRUCTURE NO. 016-0558

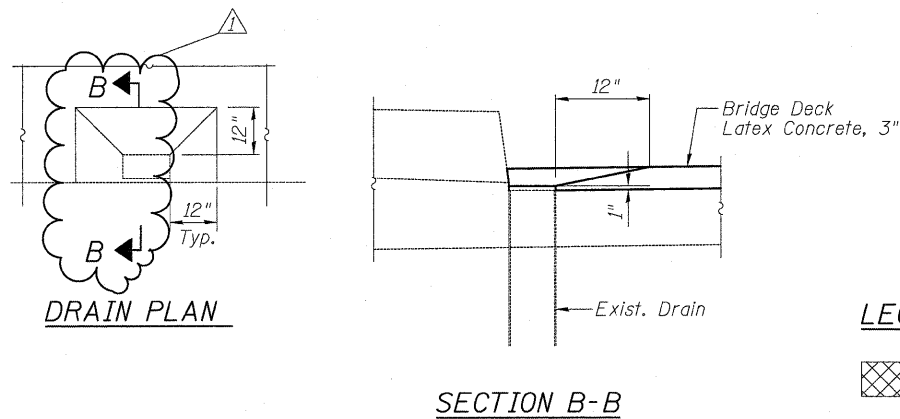
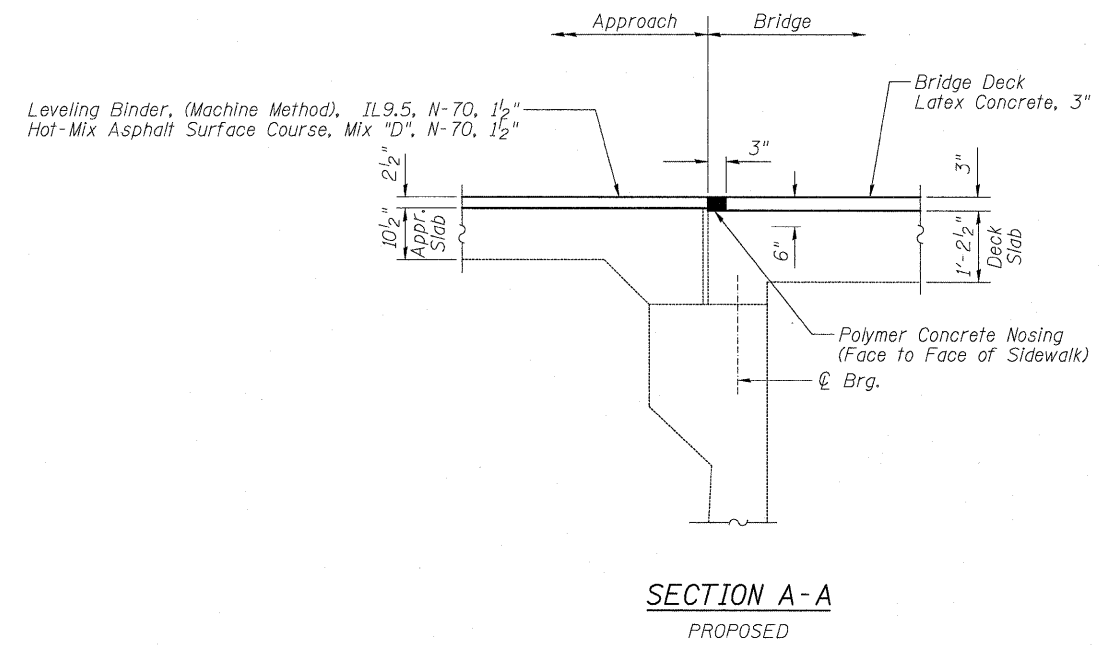
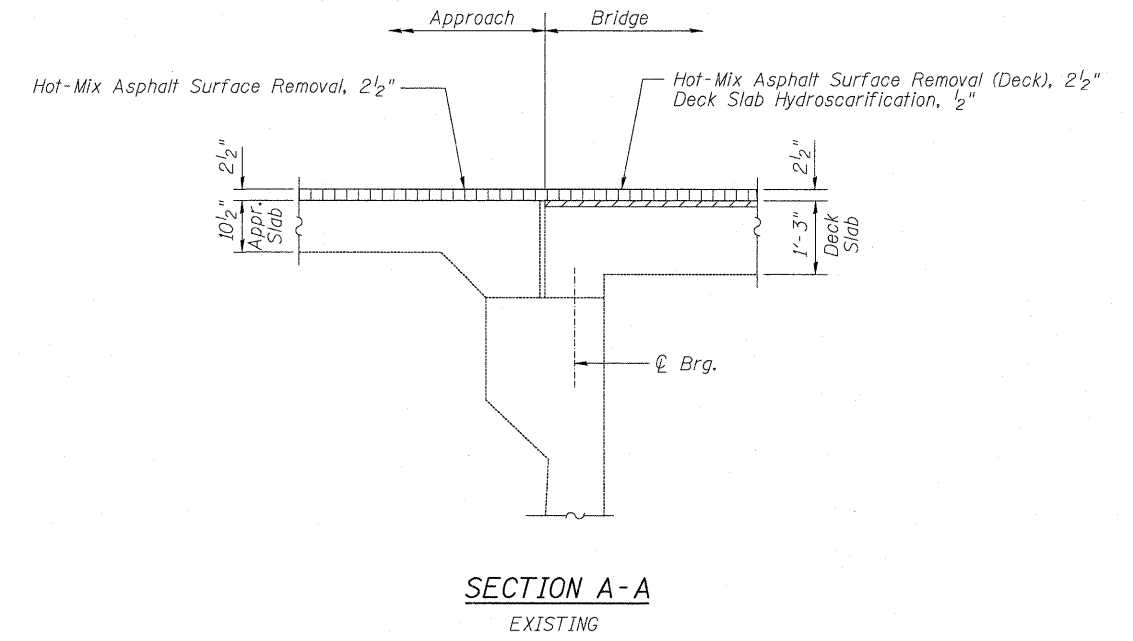
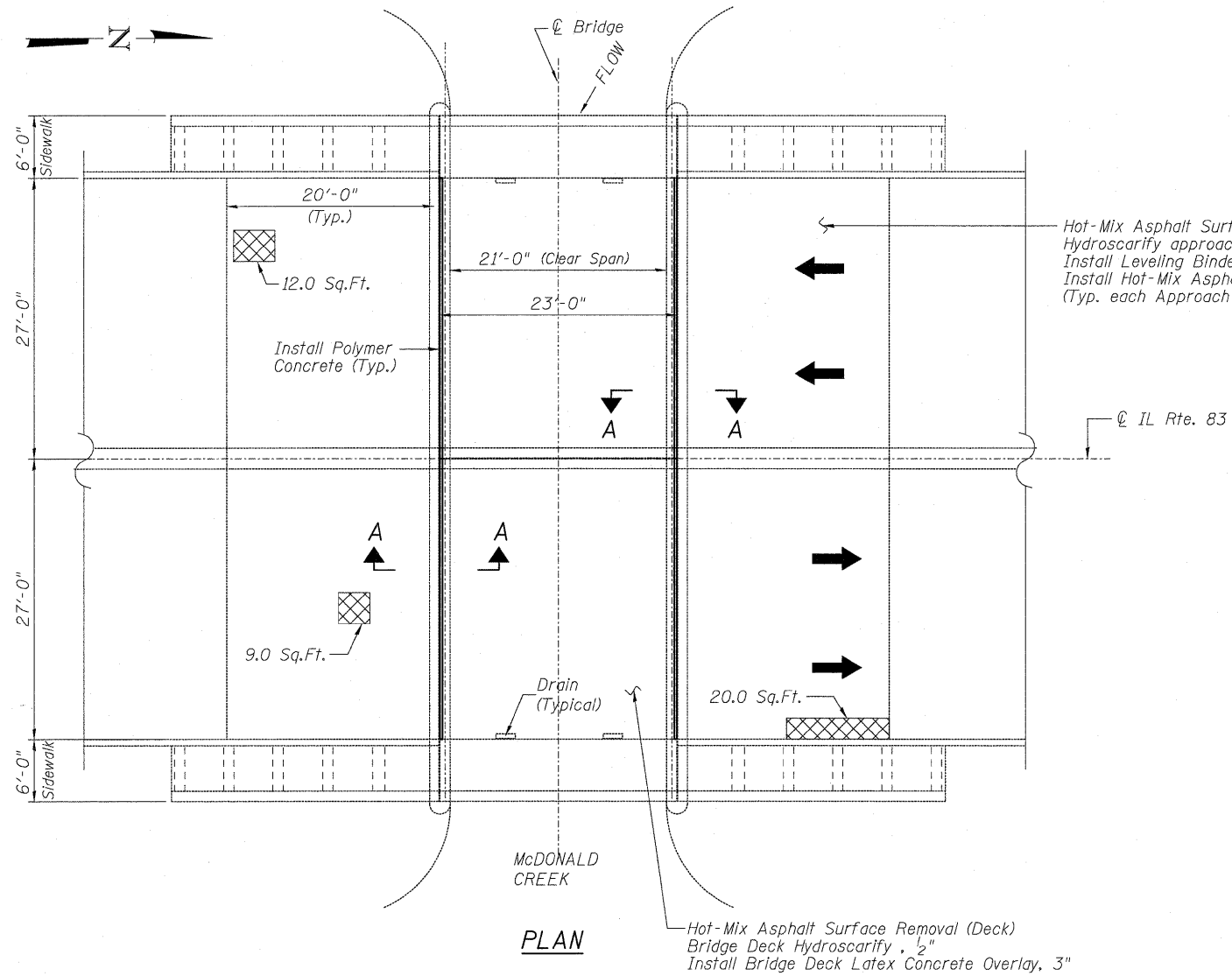
DESIGNED	JPM
CHECKED	TG
DRAWN	MPS
CHECKED	JPM, TG

Primer

100 S. WACKER DRIVE, SUITE 700, CHICAGO, IL 60606, P.312-606-0710, F.312-626-0415

SHEET NO. S3	F.A.P. RTE.	SECTION	COUNTY	TOTAL SHEETS	SHEET NO.
	344	97 B-I-1	COOK	16	10
S5 SHEETS			CONTRACT NO. 60J60		
ILLINOIS FED. AID PROJECT					

STATE OF ILLINOIS
DEPARTMENT OF TRANSPORTATION



- LEGEND:**
- Approach Slab Repair (Partial Depth)
 - Hot-Mix Asphalt Surface Removal, 2 1/2"
 - Hydroscarification, 1/2"

Note:
Repair of the existing bridge approaches shall include but may not be limited to the areas shown. The actual areas to be repaired will be determined by the Engineer at the time of construction.

**BRIDGE APPROACH PATCHING &
TRANSVERSE JOINT RECONSTRUCTION DETAILS
STRUCTURE NO. 016-0558**

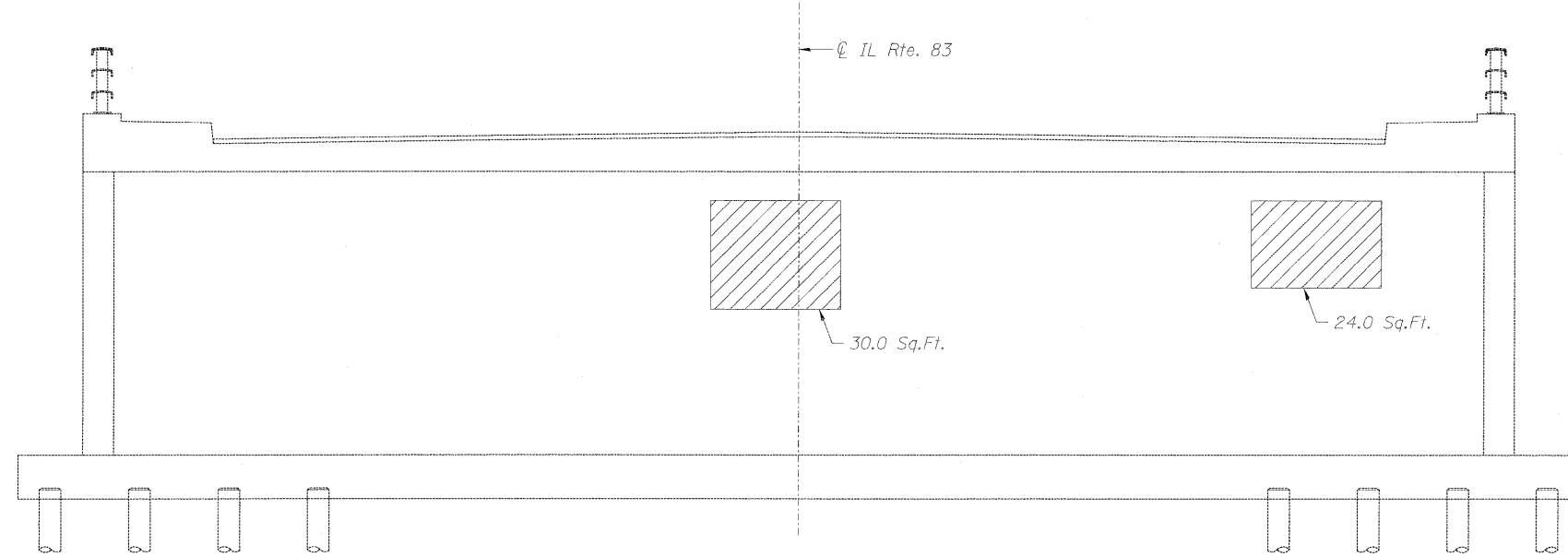
DESIGNED	JPM
CHECKED	TG
DRAWN	MPS
CHECKED	JPM, TG



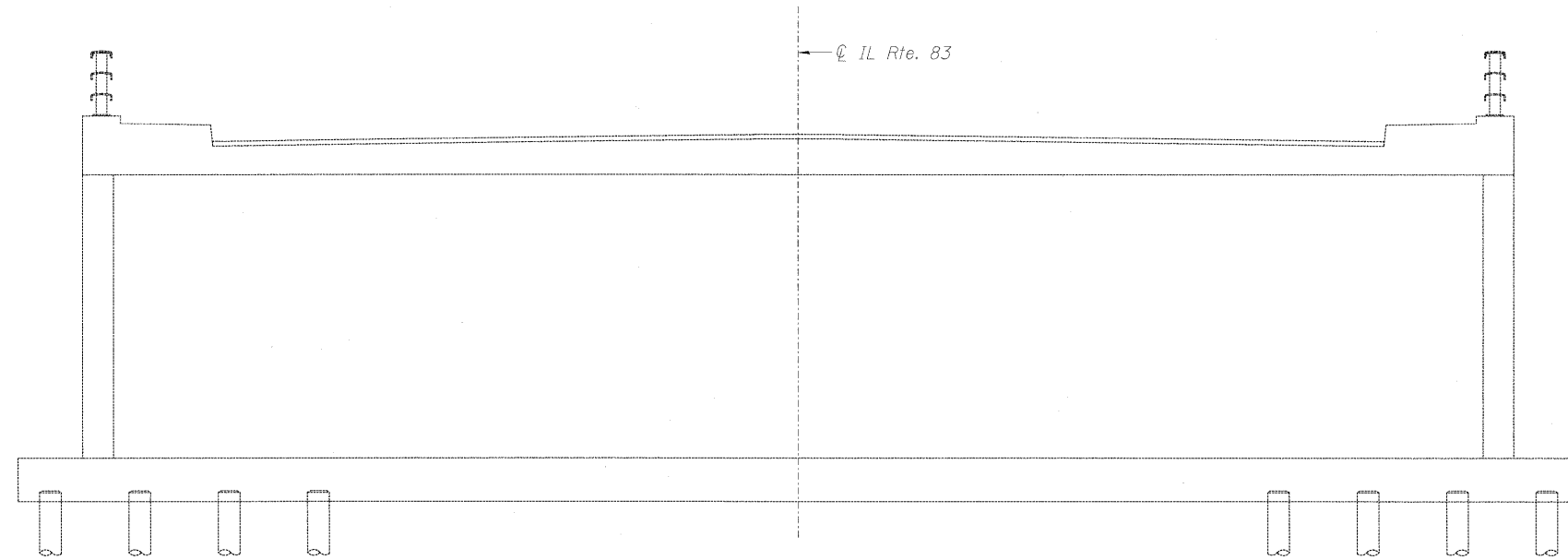
Addendum No. 1 3-26-10

SHEET NO. S4	F.A.P. RTE.	SECTION	COUNTY	TOTAL SHEETS	SHEET NO.
	344	97 B-I-1	COOK	16	11
S5 SHEETS	CONTRACT NO. 60J60			ILLINOIS FED. AID PROJECT	

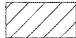
STATE OF ILLINOIS
DEPARTMENT OF TRANSPORTATION



NORTH ABUTMENT ELEVATION



SOUTH ABUTMENT ELEVATION

LEGEND:
 Structural Repair of Concrete
 (Depth equal or less than 5 inches)

Note:
 Repair of existing abutments shall include
 but may not be limited to the areas shown.
 The actual areas to be repaired will be
 determined by the Engineer at the time
 of construction.

BILL OF MATERIAL

ITEM	UNIT	QUANTITY
Structural Repair of Concrete (Depth equal or less than 5 inches)	Sq.Ft.	54

ABUTMENT REPAIR DETAILS
STRUCTURE NO. 016-0558

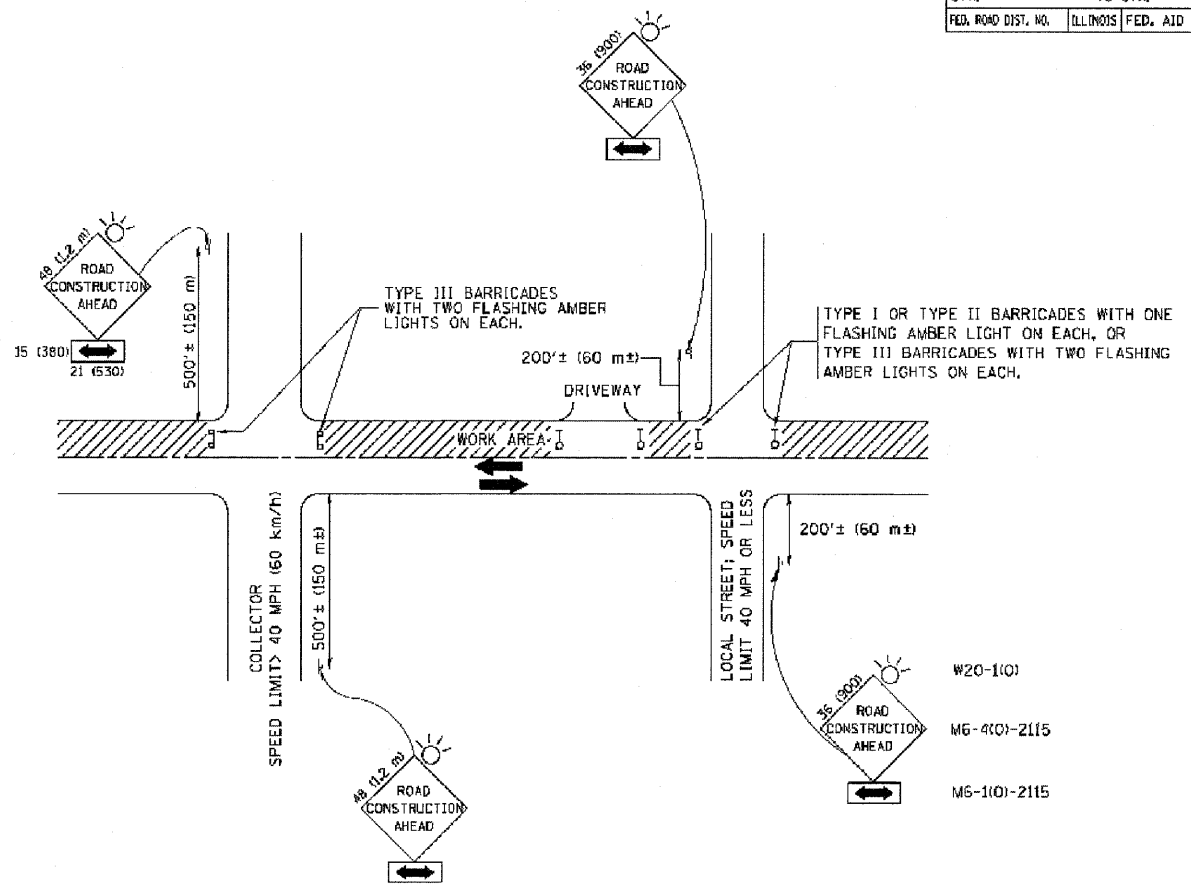
DESIGNED	JPM
CHECKED	TG
DRAWN	MPS
CHECKED	JPM, TG



100 S. WACKER DRIVE SUITE 700 CHICAGO, IL 60606 P.312.686.0110 F.312.686.0415

SHEET NO.	F.A.P. RTE.	SECTION	COUNTY	TOTAL SHEETS	SHEET NO.
S5	344	97 B-I-1	COOK	16	12
S5 SHEETS			CONTRACT NO. 60J60		
ILLINOIS FED. AID PROJECT					

CONTRACT NO.				
F.A. RTE.	SECTION	COUNTY	TOTAL SHEETS	SHEET NO.
STA.	TO STA.			
FED. ROAD DIST. NO.	ILLINOIS	FED. AID PROJECT		



TRAFFIC CONTROL AND PROTECTION FOR SIDE ROADS, INTERSECTIONS, AND DRIVEWAYS

NOTES:

- A. FOR NO LANE RESTRICTION ON THE SIDE ROAD OR DRIVEWAYS**
- SIDE ROAD WITH A SPEED LIMIT OF 40 MPH (60 km/h) OR LESS AS SHOWN ON THE DRAWING AND AS DIRECTED BY THE ENGINEER:
 - ONE ROAD CONSTRUCTION AHEAD SIGN 36 x 36 (900x900) WITH A FLASHER AND FLAG MOUNTED ON IT APPROXIMATELY 200' (60 m) IN ADVANCE OF THE MAIN ROUTE.
 - THE CLOSED PORTION OF THE MAIN ROUTE SHALL BE PROTECTED BY BLOCKING WITH TYPE I, TYPE II OR TYPE III BARRICADES, 1/3 OF THE CROSS SECTION OF THE CLOSED PORTION.
 - SIDE ROAD WITH A SPEED LIMIT GREATER THAN 40 MPH (60 km/h) AS SHOWN ON THE DRAWING AND AS DIRECTED BY THE ENGINEER:
 - ONE ROAD CONSTRUCTION AHEAD SIGN 48 x 48 (1.2 m x 1.2 m) WITH A FLASHER MOUNTED ON IT APPROXIMATELY 500' (150 m) IN ADVANCE OF THE MAIN ROUTE.
 - THE CLOSED PORTION OF THE MAIN ROUTE SHALL BE PROTECTED BY BLOCKING WITH TYPE II BARRICADES, 1/2 OF THE CROSS SECTION OF THE CLOSED PORTION.
 - WHEN THE SIDE ROAD LIES BETWEEN THE BEGINNING OF THE MAINLINE SIGNING AND THE WORK ZONE, A SINGLE HEADED ARROW (M5-1) SHALL BE USED IN LIEU OF THE DOUBLE HEADED ARROW (M6-4).
- B. FOR A LANE CLOSURE ON A SIDE ROAD OR DRIVEWAY:**
- USE APPLICABLE PORTIONS OF THE TYPICAL APPLICATION OF TRAFFIC CONTROL DEVICES (STD. 101501, STD. 101606 OR THE APPROPRIATE STANDARD). THE SPACING OF SIGNS AND BARRICADES SHALL BE ADJUSTED FOR FIELD CONDITIONS AS DIRECTED BY THE ENGINEER. THE DIRECTIONAL ARROW SHALL BE COVERED OR REMOVED WHEN NO LONGER CONSISTENT WITH THE SIDE ROAD LANE CLOSURE.
- C. ADVANCE WARNING SIGNS ARE TO BE OMITTED ON DRIVEWAY UNLESS OTHERWISE NOTED.**
- D. THE TRAFFIC CONTROL AND PROTECTION FOR SIDE ROADS, INTERSECTIONS, AND DRIVEWAYS SHALL BE INCIDENTAL TO THE COST OF SPECIFIED TRAFFIC CONTROL STANDARDS OR ITEMS.**

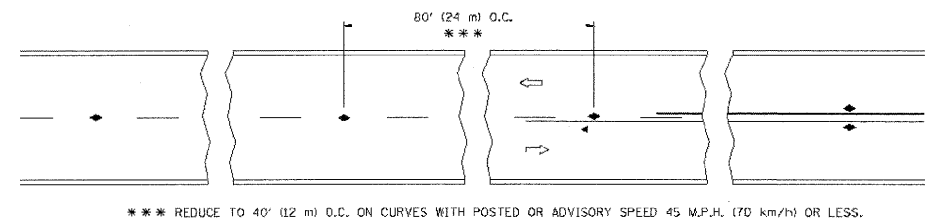
All dimensions are in millimeters (inches) unless otherwise shown.

REVISIONS	
NAME	DATE
LHA	6/89
T. RAMMACHER	09/08/94
J. OBERLE	10/18/95
A. HOUSEH	03/06/96
A. HOUSEH	10/15/96
T. RAMMACHER	01/06/00

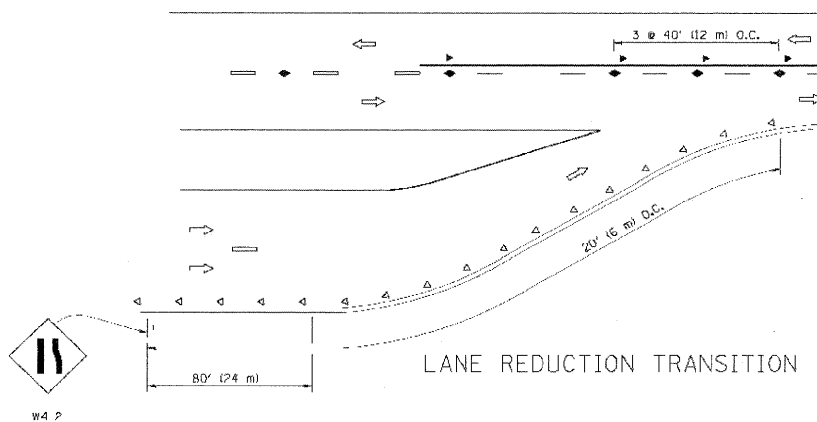
ILLINOIS DEPARTMENT OF TRANSPORTATION
TRAFFIC CONTROL AND PROTECTION FOR SIDE ROADS, INTERSECTIONS, AND DRIVEWAYS

SCALE: NONE DRAWN BY: _____
 CHECKED BY: _____
 TC-10

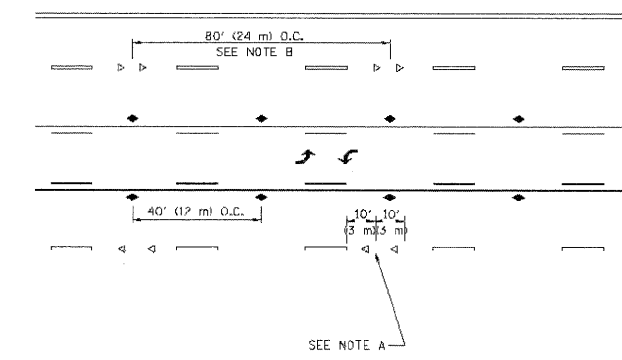
CONTRACT NO.				
F.A. H.T.E.	SECTION	COUNTY	TOTAL SHEETS	SHEET NO.
S1A.	10 S1A.			
FED. ROAD DIST. NO.	ILLINOIS	FED. AID PROJECT		



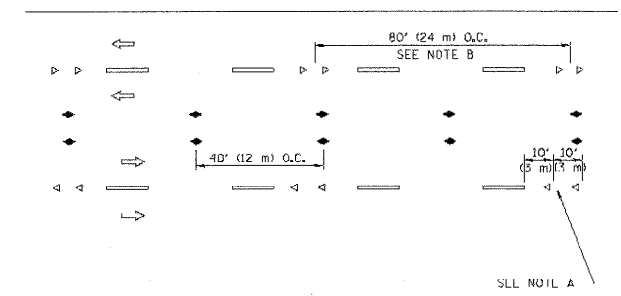
TWO-LANE/TWO-WAY



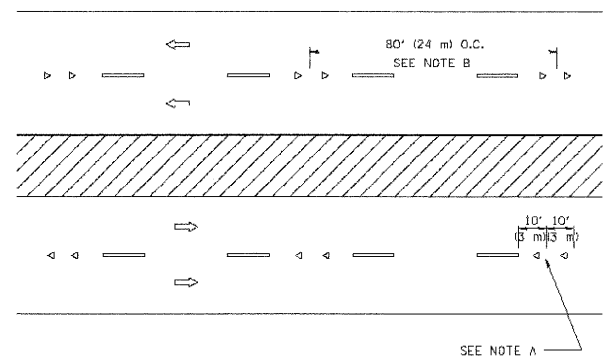
LANE REDUCTION TRANSITION



TWO-WAY LEFT TURN



MULTI-LANE/UNDIVIDED



MULTI-LANE/DIVIDED

GENERAL NOTES

1. MARKERS USED WITH DASHED LINES SHALL BE CENTERED IN THE GAP BETWEEN SEGMENTS.
2. MARKERS USED ADJACENT TO SOLID LINES SHALL BE OFFSET 2 TO 3 (50 TO 75) TOWARD TRAFFIC AS SHOWN.
3. MARKERS THROUGH TANGENTS LESS THAN 500' (150 m) IN LENGTH BETWEEN CURVES SHALL BE INSTALLED AT THE LESSER OF THE TWO CURVE SPACINGS.

LANE MARKER NOTES

- A. USE DOUBLE LANE LINE MARKERS SPACED AS SHOWN.
- B. REDUCE TO 40' (12 m) O.C. ON CURVES WHERE ADVISORY SPEEDS ARE 10 M.P.H. (16 km/h) LOWER THAN POSTED SPEEDS.

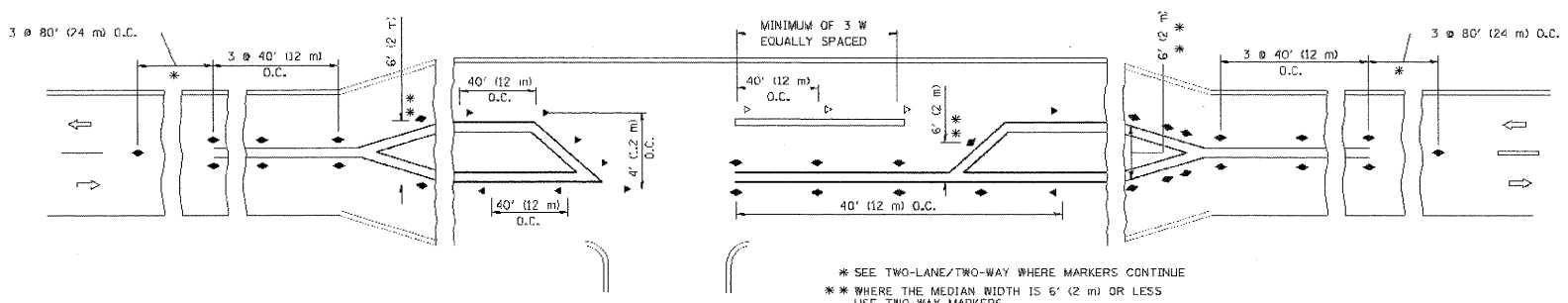
SYMBOLS

- YELLOW STRIPE
- WHITE STRIPE
- ◀ ONE-WAY AMBER MARKER
- ◁ ONE-WAY CRYSTAL MARKER (W/O)
- ◆ TWO-WAY AMBER MARKER

DESIGN NOTES

1. DOUBLE LANE LINE MARKERS SHALL BE USED UNLESS SPECIFIED OTHERWISE.
2. EXCEPT AS SHOWN ON THE LANE REDUCTION TRANSITION AND RAILWAY EXIT RAMP DETAIL, MARKERS ARE NOT TO BE SPECIFIED ON RIGHT EDGE LINES.
3. THE EXACT MARKER LIMITS, SPACING, AND COLOR SHOULD BE INCLUDED IN THE PLANS.
4. MARKERS SHOULD NOT BE USED ALONGSIDE CURBS EXCEPT FOR EXTREMELY SHORT SECTIONS OF CURBS WHERE NOT MORE THAN TWO MARKERS WOULD BE INVOLVED.

All dimensions are in inches (millimeters) unless otherwise shown.



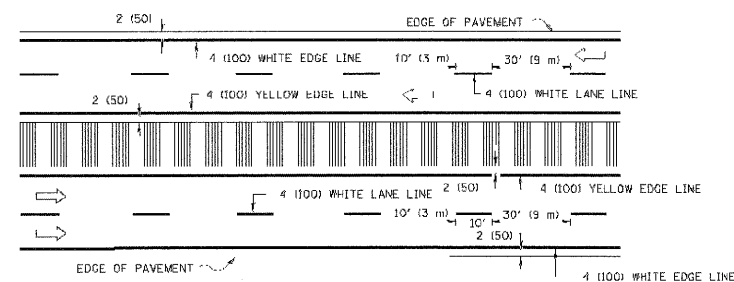
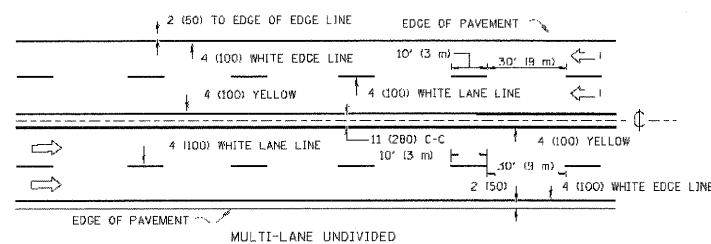
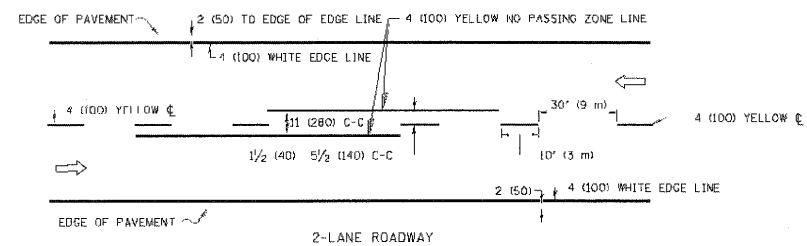
LEFT TURN

REVISTIONS	NAME	DATE
T. RAMMACHER	09-19-94	
T. RAMMACHER	03-12-99	
T. RAMMACHER	01-06-00	
C. JUCIUS	09-09-09	

ILLINOIS DEPARTMENT OF TRANSPORTATION
TYPICAL APPLICATIONS
RAISED REFLECTIVE PAVEMENT
MARKERS (SNOW-PLOW RESISTANT)

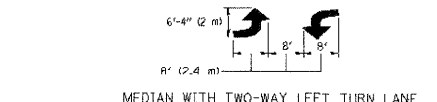
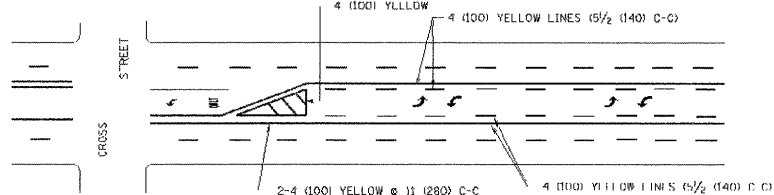
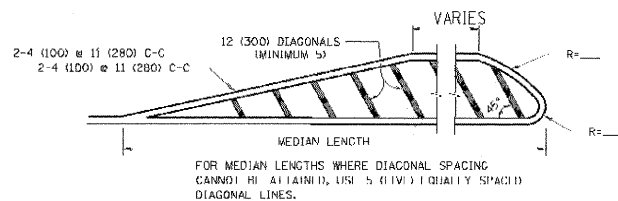
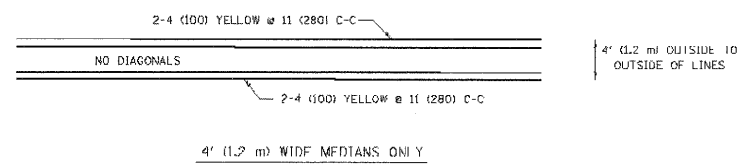
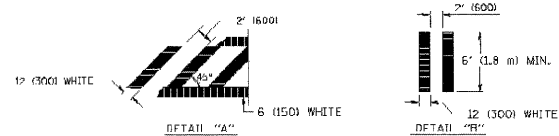
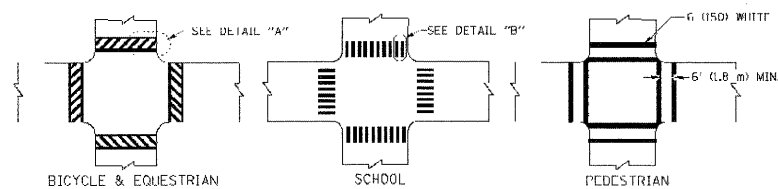
SCALE: NONE
DRAWN BY CAUD
CHECKED BY
TC-11

F.A. H.T.E.	SECTION	COUNTY	TOTAL SHEETS	SHEET NO.
S1.A.	TO STA.			
FFD. ROAD DIST. NO.	ILLINOIS	FFD. AID PROJECT		



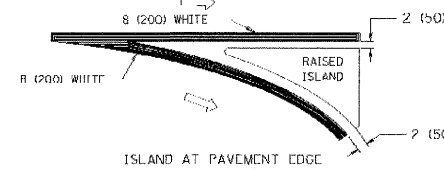
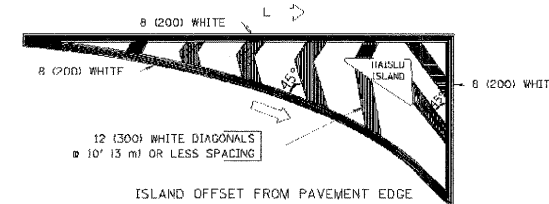
NOTE: MEDIANS WITH BARRIER CURB DO NOT REQUIRE AN EDGE LINE

TYPICAL LANE AND EDGE LINE MARKING



FULL SIZE LETTERS 8' (2.4 m) AND ARROWS SHALL BE USED.
AREA = 15.6 SQ. FT. (4.5 m²) ONLY AREA = 20.8 SQ. FT. (4.9 m²)
* TURN LANES IN EXCESS OF 100' (30 m) IN LENGTH MAY HAVE AN ADDITIONAL SET OF ARROW - "ONLY" INSTALLED MIDWAY BETWEEN THE OTHER TWO SETS OF ARROW - "ONLY".

TYPICAL TURN LANE MARKING



TYPICAL ISLAND MARKING

TYPE OF MARKING	WIDTH OF LINE	PATTERN	COLOR	SPACING / REMARKS
CENTERLINE ON 2 LANE PAVEMENT	4 (100)	SKIP-DASH	YELLOW	10' (3 m) LINE WITH 30' (9 m) SPACE
CENTERLINE ON MULTI-LANE UNDIVIDED PAVEMENT	2 @ 4 (100)	SOLID	YELLOW	11 (280) C-C
NO PASSING ZONE LINES FOR ONE DIRECTION FOR BOTH DIRECTIONS	4 (100) 2 @ 4 (100)	SOLID SOLID	YELLOW YELLOW	5/2 (140) C-C FROM SKIP-DASH CENTERLINE 11 (280) C-C OMIT SKIP-DASH CENTERLINE BETWEEN
LANE LINES	4 (100) 6 (125) ON FREEWAYS	SKIP-DASH SKIP-DASH	WHITE WHITE	10' (3 m) LINE WITH 30' (9 m) SPACE
DOTTED LINES (EXTENSIONS OF CENTER LANE OR TURN LANE MARKINGS)	SAME AS LINE BEING EXTENDED	SKIP-DASH	SAME AS LINE BEING EXTENDED	2' (600) LINE WITH 6' (1.8 m) SPACE
EDGE LINES	4 (100)	SOLID	YELLOW-LEFT WHITE-RIGHT	OUTLINE MOUNTABLE MEDIANS IN YELLOW. EDGE LINES ARE NOT USED NEXT TO BARRIER CURB.
TURN LANE MARKINGS	6 (150) LINE; FULL SIZE LETTERS & SYMBOLS (8' (2.4 m))	SOLID	WHITE	SEE TYPICAL TURN LANE MARKING DETAIL
TWO WAY LEFT TURN MARKING	2 @ 4 (100) EACH DIRECTION 8' (2.4 m) LEFT ARROW	SKIP-DASH AND SOLID IN PAIRS	YELLOW WHITE	10' (3 m) LINE WITH 30' (9 m) SPACE FOR SKIP-DASH; 5/2 (140) C-C BETWEEN SOLID LINE AND SKIP-DASH LINE SEE TYPICAL TWO-WAY LEFT TURN MARKING DETAIL
CROSSWALK LINES (PEDESTRIAN A. DIAGONALS (BIKE & EQUESTRIAN) B. LONGITUDINAL BARS (SCHOOL))	2 @ 6 (150) 12 (300) @ 45° 12 (300) @ 90°	SOLID SOLID SOLID	WHITE WHITE WHITE	NOT LESS THAN 6' (1.8 m) APART 2' (600) APART 2' (600) APART SEE TYPICAL CROSSWALK MARKING DETAILS.
STOP LINES	24 (600)	SOLID	WHITE	PLACE 4' (1.2 m) IN ADVANCE OF AND PARALLEL TO CROSSWALK, IF PRESENT. OTHERWISE, PLACE AT DESIRED STOPPING POINT, PARALLEL TO CROSSROAD CENTERLINE, WHERE POSSIBLE.
PAINTED MEDIANS	2 @ 4 (100) WITH 12 (300) DIAGONALS @ 45° NO DIAGONALS USED FOR 4' (1.2 m) WIDE MEDIANS	SOLID	YELLOW TWO WAY TRAFFIC WHITE ONE WAY TRAFFIC	11 (280) C-C FOR THE DOUBLE LINE SEE TYPICAL PAINTED MEDIAN MARKING.
GORE MARKING AND CHANNELIZING LINES	8 (200) WITH 12 (300) DIAGONALS @ 45°	SOLID	WHITE	DIAGONALS: 15' (4.5 m) C-C (LESS THAN 30MPH (50 km/h)) 20' (6 m) C-C (30MPH (50 km/h) TO 45MPH (70 km/h)) 30' (9 m) C-C (OVER 45MPH (70 km/h))
RAILROAD CROSSING	24 (600) TRANSVERSE LINES; "RR" 15' (4.5 m) LETTERS; 16 (400) LINE FOR "X"	SOLID	WHITE	SEE STATE STANDARD T80001 AREA OF: "Y" = 3.6 SQ. FT. (0.33 m ²) EACH "X" = 54.0 SQ. FT. (5.0 m ²)
SHOULDER DIAGONALS	12 (300) @ 45°	SOLID	WHITE - RIGHT YELLOW - LEFT	50' (15 m) C-C (LESS THAN 30MPH (50 km/h)) 75' (25 m) C-C (30 MPH (50 km/h) TO 45MPH (70 km/h)) 150' (45 m) C-C (OVER 45MPH (70 km/h))

FOR FURTHER DETAILS ON PAVEMENT MARKING REFER TO STANDARD SPECIFICATIONS FOR ROAD AND BRIDGE CONSTRUCTION AND STATE STANDARD T80001.

All dimensions are in inches (millimeters) unless otherwise shown.

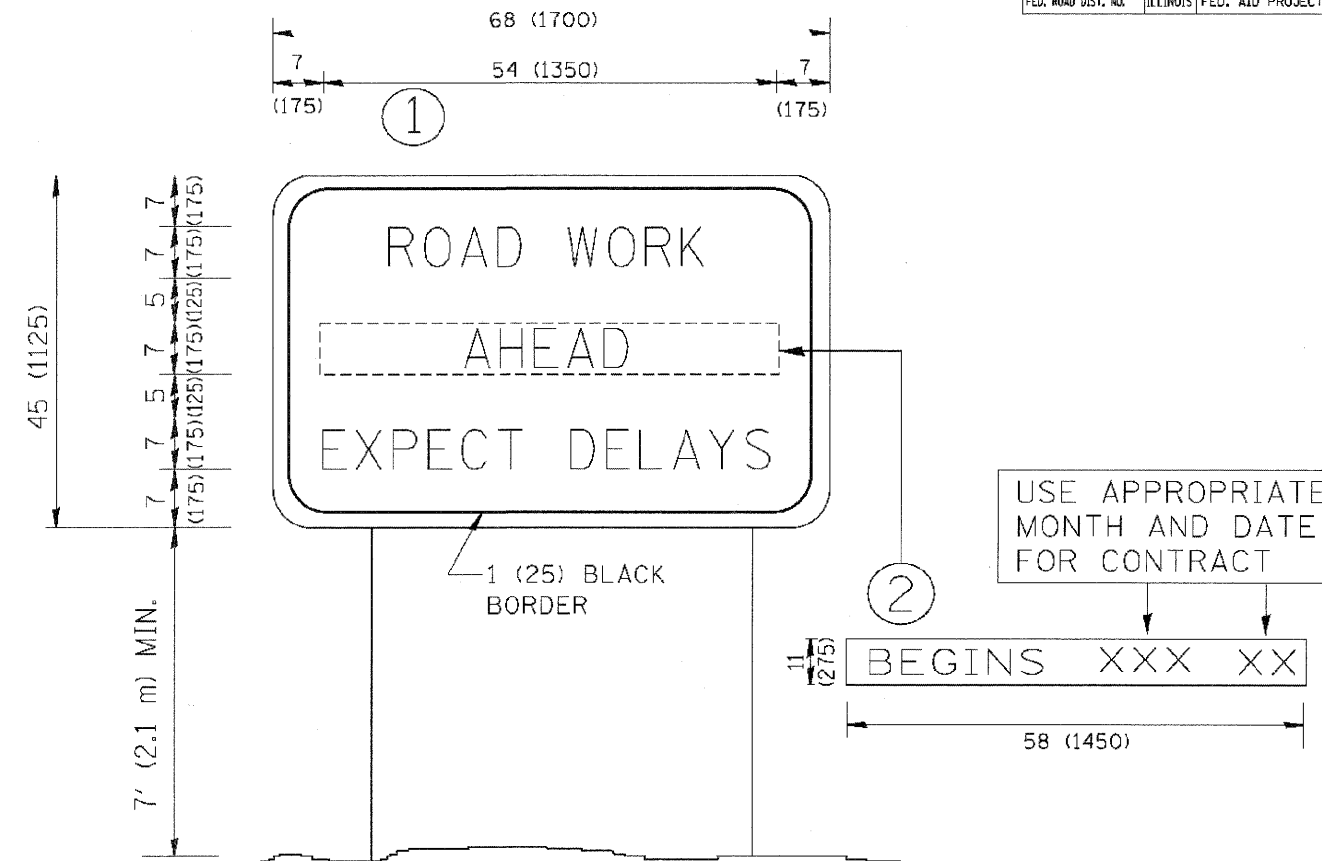
REVISIONS	DATE
EVERS	03-19-90
I. HAMMILCHER	10-27-94
C. JUCLIS	09-09-09

ILLINOIS DEPARTMENT OF TRANSPORTATION
DISTRICT ONE
TYPICAL PAVEMENT MARKINGS

SCALE: NONE

DRAWN BY CADD
CHECKED BY
TC-13

CONTRACT NO.				
F.A. RTE.	SECTION	COUNTY	TOTAL SHEETS	SHEET NO.
STA.	TO STA.			
FED. ROAD DIST. NO.	ILLINOIS	FED. AID PROJECT		



NOTES:

1. USE BLACK LETTERING ON ORANGE BACKGROUND.
2. ERECT SIGNS IN ADVANCE OF THE LOCATION FOR THE "ROAD CONSTRUCTION AHEAD" SIGN AT LOCATIONS AS DIRECTED BY THE ENGINEER.
3. ERECT SIGN ① WITH INSTALLED PANEL ② ONE WEEK PRIOR TO THE START OF CONSTRUCTION.
4. REMOVE PANEL ② SOON AFTER THE START OF CONSTRUCTION.
5. SEE SPECIAL PROVISION FOR "TEMPORARY INFORMATION SIGNING" FOR ADDITIONAL INFORMATION.
6. ONE SIGN ASSEMBLY EQUALS 25.70 SQ. FT. (2.3 SQ. M.)
7. SHALL BE PAID FOR AS TEMPORARY INFORMATION SIGNING.

ALL DIMENSIONS ARE IN INCHES (MILLIMETERS) UNLESS OTHERWISE SHOWN.

REVISIONS	
NAME	DATE
R. WIRS	9-15-97
R. WIRS	12-11-97
T. RAMMACHER	2-2-99
C. JUCIUS	1-31-07

ILLINOIS DEPARTMENT OF TRANSPORTATION

ARTERIAL ROAD INFORMATION SIGN

SCALE: NONE

DRAWN BY DESIGN

CHECKED BY

TC22

FILE NAME =
#FILEL#



DESIGNED	VEA	REVISED	-
DRAWN	VEA	REVISED	-
CHECKED	TWL	REVISED	-
DATE	1/29/2010	REVISED	-

**STATE OF ILLINOIS
DEPARTMENT OF TRANSPORTATION**

**DISTRICT ONE STANDARD DETAILS
TC-22**

SCALE: SHEET NO. OF SHEETS STA. TO STA.

F.A.P. RTE.	SECTION	COUNTY	TOTAL SHEETS	SHEET NO.
344	97 B-1-1	COOK	16	16
CONTRACT NO. 60J60			ILLINOIS FED. AID PROJECT	