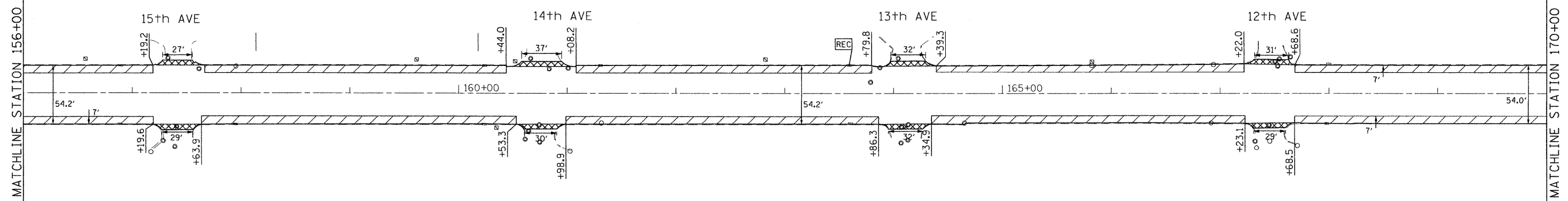


HMA SURFACE REMOVAL -2 1/2" (MAINLINE)
 RESURFACE WITH:
 POLYMERIZED LEVELING BINDER (MACHINE METHOD), IL-4.75, N50 -3/4"
 POLYMERIZED HMA SURFACE COURSE, MIX F, N90 (IL-9.5MM) -1 3/4"

HMA SURFACE REMOVAL -1 3/4" (PARKING LANE)
 RESURFACE WITH:
 POLYMERIZED HMA SURFACE COURSE, MIX F, N90 (IL-9.5MM) -1 3/4"

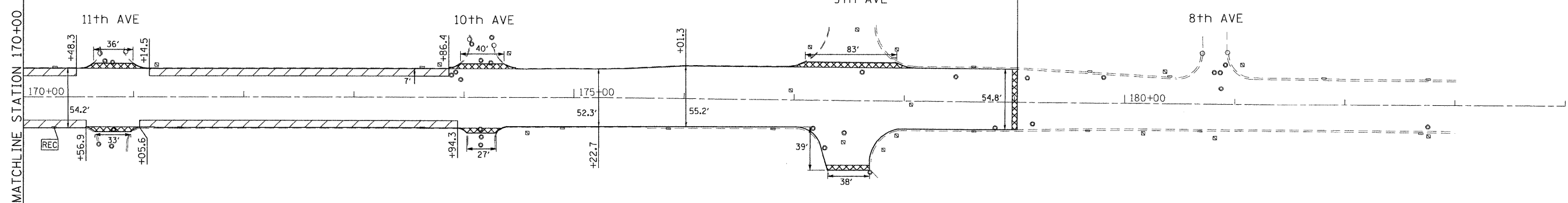


NOTES

1. ALL DRAINAGE STRUCTURES WITHIN IMPROVEMENT LIMITS SHALL BE CLEANED.
2. ALL DRAINAGE STRUCTURES WITHIN MILLING AND RESURFACING SECTION (OUTSIDE GUTTER) SHALL BE ADJUSTED SPECIAL.

DRAINAGE LEGEND

REC STRUCTURE TO BE RECONSTRUCTED



ROADWAY LEGEND

- PROPOSED HMA SURFACE REMOVAL BUTT JOINT
SEE BUTT JOINTS AND HMA TAPER DETAILS (B032)
- PARKING LANE
HMA SURFACE REMOVAL, 1 3/4"
POLYMERIZED HMA SURFACE COURSE,
MIX F, N90 (IL-9.5 MM), 1 3/4"

FILE NAME = P:\2009\ME09006-Var-Ver-Phl\CADD\W015-RooseveltRd\Shvs\0160L40-sht-pln-03.dgn
 USER NAME = JLN
 MILLENNIA PROFESSIONAL SERVICES

200 22ND Street, Suite 216, Lombard, IL 60148
 630.705.0110 voice, 630.839.2566 fax
 WWW.MPS-IL.COM

MILLENNIA PROFESSIONAL SERVICES

DESIGNED - CJD	REVISED -
DRAWN - CJD	REVISED -
CHECKED - TVN	REVISED -
DATE - 6/1/2010	REVISED -

**STATE OF ILLINOIS
DEPARTMENT OF TRANSPORTATION**

**ROOSEVELT ROAD
BRISTOL AVENUE TO 9TH AVENUE**

**ROADWAY
AND DRAINAGE PLAN**

SCALE: 1"=50' SHEET NO. OF SHEETS STA. 156+00 TO STA. 179+02

F.A.P. RTE. 347	SECTION 2010-061-RS	COUNTY COOK	TOTAL SHEETS 25	SHEET NO. 7
CONTRACT NO. 60L40				

PLN-03