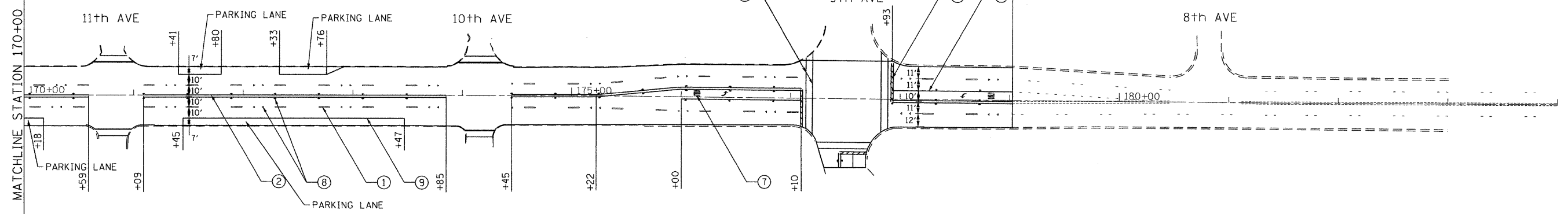


PAVEMENT MARKING LEGEND

- ① THERMOPLASTIC PAVEMENT MARKING 4" WHITE LANE LINE (30' SKIP 10' DASH)
- ② THERMOPLASTIC PAVEMENT MARKING 4" DOUBLE YELLOW LINE 11" C-C
- ③ THERMOPLASTIC PAVEMENT MARKING 6" WHITE LINE
- ④ THERMOPLASTIC PAVEMENT MARKING 6" WHITE DOTTED LINE (6' SKIP 2' DASH)
- ⑤ THERMOPLASTIC PAVEMENT MARKING 12" DIAGONAL YELLOW LINE
- ⑥ THERMOPLASTIC PAVEMENT MARKING 24" WHITE STOP BAR
- ⑦ THERMOPLASTIC PAVEMENT MARKING LETTERS AND SYMBOLS (TYP)
- ⑧ RAISED REFLECTIVE PAVEMENT MARKER (SEE NOTE 2)
- ⑨ THERMOPLASTIC PAVEMENT MARKING 4" SOLID WHITE LINE

IMPROVEMENT ENDS
STA. 179+03



NOTES:

1. THE CONTRACTOR SHALL PLACE PROPOSED PAVEMENT MARKINGS IN ACCORDANCE WITH DISTRICT 1 TYPICAL PAVEMENT MARKINGS DETAIL (TC-13)
2. REFER TO DISTRICT 1 RAISED REFLECTIVE PAVEMENT MARKERS (TC-11) FOR ADDITIONAL INFORMATION.

FILE NAME : P:\2009\ME09006_Var\Var-Phi\CADD\MO15_RooseveltRd\Shets\DI60L40-sht-pmk-03.dgn
 PLOT SCALE : 50.0000 / IN.
 USER NAME : Millennium Professional Services



200 22ND Street, Suite 216, Lombard, IL 60148
 630.705.0110 voice, 630.839.2566 fax
 WWW.MPS-IL.COM
MILLENNIA PROFESSIONAL SERVICES

DESIGNED - CJD	REVISED -
DRAWN - CJD	REVISED -
CHECKED - TVN	REVISED -
DATE - 6/1/2010	REVISED -

STATE OF ILLINOIS
DEPARTMENT OF TRANSPORTATION

ROOSEVELT ROAD
BRISTOL AVENUE TO 9TH AVENUE
PAVEMENT MARKING PLAN

SCALE: 1"=50' SHEET NO. OF SHEETS STA. 156+00 TO STA. 179+02

F.A.P. RTE.	SECTION	COUNTY	TOTAL SHEETS	SHEET NO.
347	2010-061-RS	COOK	25	10
CONTRACT NO. 60L40				

FED. ROAD DIST. NO. 1 ILLINOIS FED. AID PROJECT

PMK-03

P:\2009\ME09006_Var\Var-Phi\CADD\MO15_RooseveltRd\Shets\DI60L40-sht-pmk-03.dgn