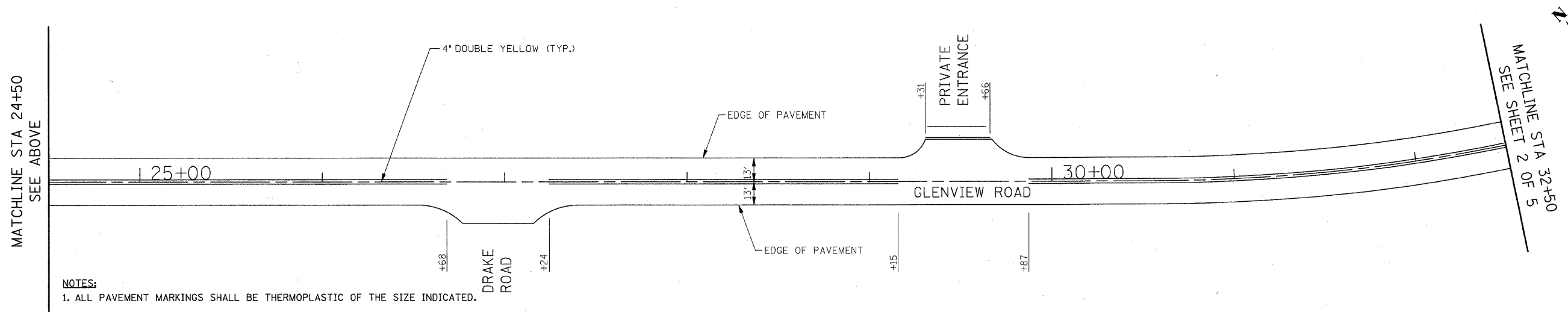
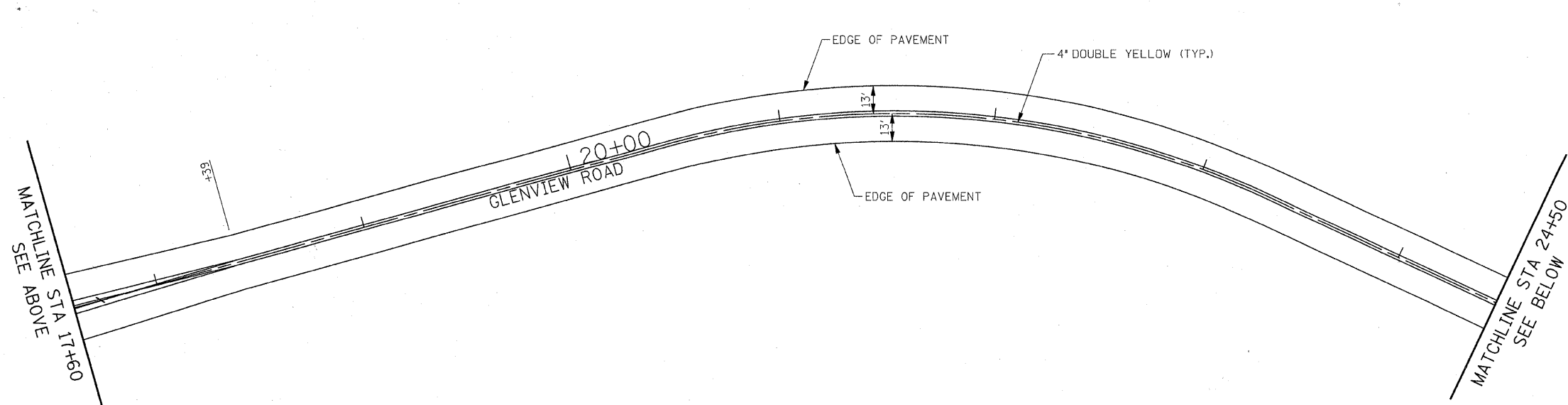
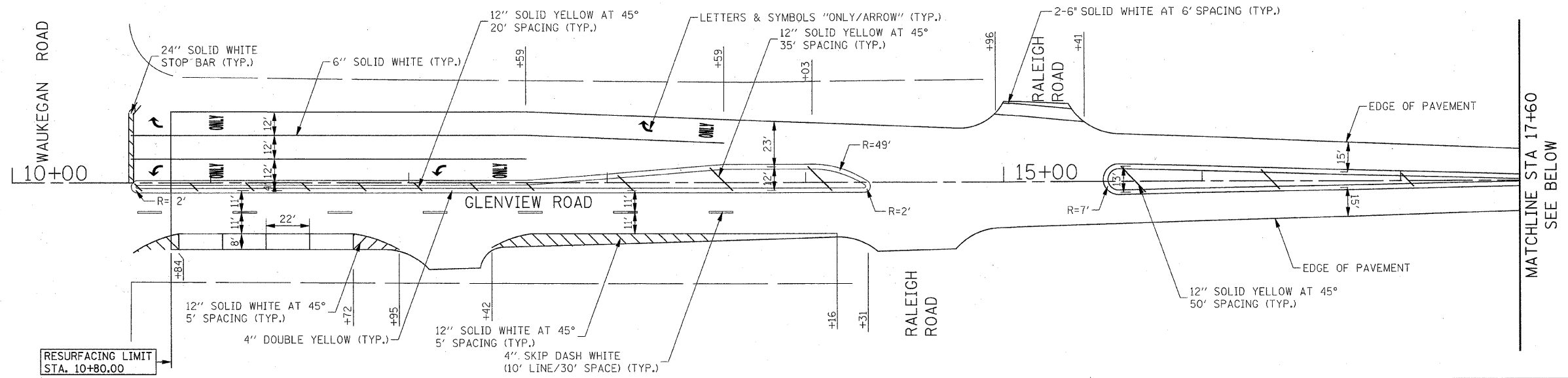


ADVANCE WARNING SIGNS PER IDOT STANDARDS AND TEMPORARY INFORMATION SIGNING SPECIFICATIONS.



NOTES:  
1. ALL PAVEMENT MARKINGS SHALL BE THERMOPLASTIC OF THE SIZE INDICATED.

PLOT DATE = 08/19/09  
USER NAME = RUSFER  
PLOT SCALE = AS SHOWN  
FILE NAME = 63361.dwg

**Burns & McDonnell**  
1431 OPUS PLACE, SUITE 400  
DOWNERS GROVE, IL 60515  
PHONE: (630) 724-3200  
FAX: (630) 724-3201  
WEB: WWW.BURNSMCD.COM

DESIGNED - RB	REVISED -	REVISED -
CHECKED - JMT	REVISED -	REVISED -
DRAWN - RB	REVISED -	REVISED -
CHECKED - 08/19/09	REVISED -	REVISED -

**VILLAGE OF GLENVIEW  
GLENVIEW ROAD RESURFACING  
PROJECT (EAST)**

**PROPOSED PAVEMENT MARKING AND SIGNING PLAN**

SCALE: 1"=30' SHEET NO. 1 OF 5 SHEETS STA. 10+00.00 TO STA. 32+50.00

F.A.U. RTE.	SECTION	COUNTY	TOTAL SHEETS	SHEET NO.
1297	09-00173-00-RS	LAKE	8	7
FED. ROAD DIST. NO. [ILLINOIS] FED. AID PROJECT				
CONTRACT NO. 63361				