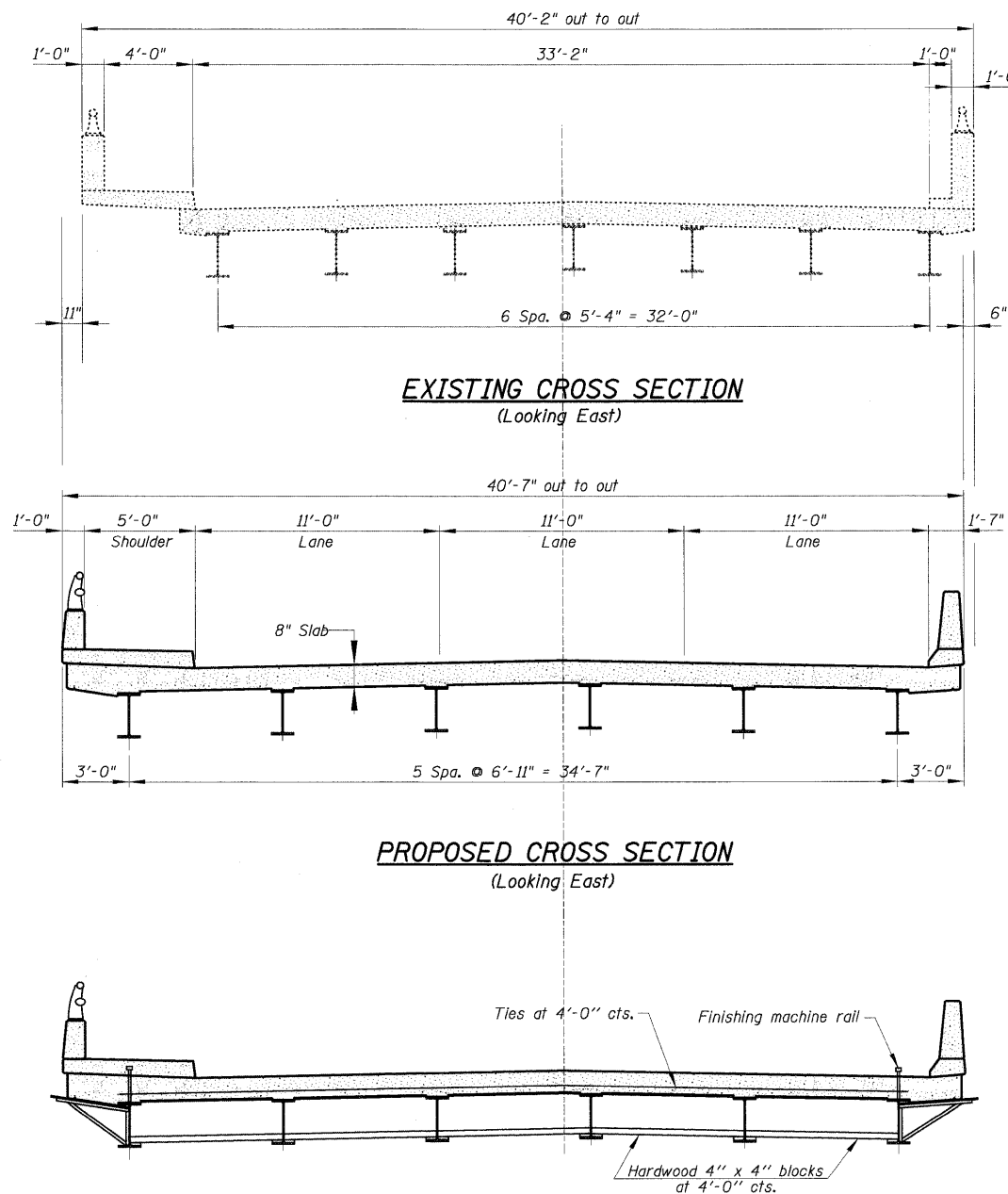


GENERAL NOTES

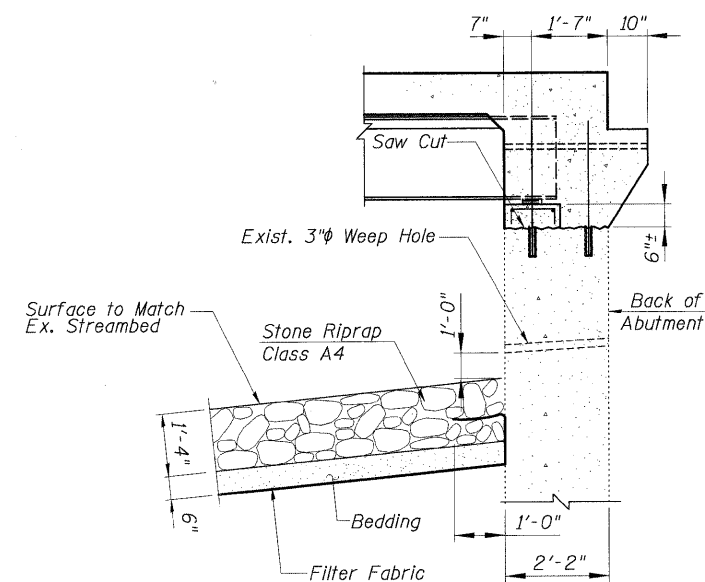
- Fasteners shall be AASHTO M164 Type 1, mechanically galvanized bolts (in painted areas and M164 Type 3 in unpainted areas). Bolts $\frac{3}{4}$ in. ϕ , holes $\frac{13}{16}$ in. ϕ , unless otherwise noted.
 - Calculated weight of Structural Steel:
Gr 50 = 12,000 LB.
Gr 36 = 1,590 LB.
 - All structural steel shall be AASHTO M 270 Grade 50.
 - No field welding is permitted except as specified in the contract documents.
 - Reinforcement bars shall conform to the requirements of ASTM A 706 Gr 60. See Special Provisions.
 - Reinforcement bars designated (E) shall be epoxy coated.
 - Prior to pouring the new concrete deck, all heavy or loose rust, loose mill scale, and other loose or potentially detrimental foreign material shall be removed from the surfaces in contact with concrete.
 - Plan dimensions and details relative to existing plans are subject to nominal construction variations. The Contractor shall field verify existing dimensions and details affecting new construction and make necessary approved adjustments prior to construction or ordering of materials. Such variations shall not be cause for additional compensation for a change in scope of the work, however, the Contractor will be paid for the quantity actually furnished at the unit price bid for the work.
 - Bearing seat surfaces shall be constructed or adjusted to their designated elevations within a tolerance of $\frac{1}{8}$ inch (0.01 ft.). Adjustment shall be made either by grinding the surface or by shimming the bearings.
 - The Inorganic Zinc Rich Primer / Acrylic / Acrylic Paint System shall be used for shop and field painting of new structural steel except where otherwise noted. The color of the final finish coat for all interior steel surfaces shall be gray, Munsell No. 5B 7/1. The color of the final finish coat for the exterior and bottom flange of the fascia beams shall be Reddish Brown, Munsell No. 2.5YR 314. See Special Provision for "Cleaning and Painting New Metal Structures".
 - Layout of slope protection system may be varied in the field to suit ground conditions as directed by the Engineer.
 - All cross frames or diaphragms shall be installed as steel is erected and secured with erection pins and bolts except as otherwise noted.
 - Load carrying components designated "NTR" shall conform to the Supplemental Requirements for Notch Toughness, Zone 2.
 - Two $\frac{1}{8}$ in. adjusting shims shall be provided for each bearing in addition to all other plates or shims and placed as shown on bearing details.
15. Existing reinforcement shall be cleaned and incorporated into the new construction. Cost included with "Concrete Removal".
16. Any reinforcement bars that are damaged during concrete removal operation shall be repaired or replaced using approved bar splicer or anchorage system. Cost included with "Concrete Removal".
17. All faces of the proposed sidewalk barrier and parapet shall have a form liner textured surface. The pattern shall be Customrock Pattern #12010-Minnehaha Blend or approved equal.
18. The color of the form liner shall be Uni-Max Liquid Integral Concrete Color #L1085 - Sandstone, or approved equal. The admixture shall be added to the concrete during batching per manufacturer's specifications. The admixture shall only be added to the concrete for the proposed parapet top and the proposed sidewalk barrier. Cost included with "Form Liner Textured Surface"

STATE OF ILLINOIS
DEPARTMENT OF TRANSPORTATION

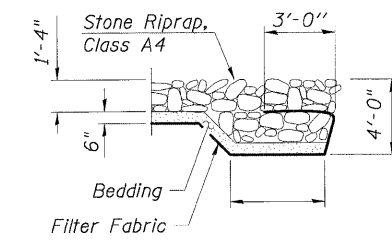


TOTAL BILL OF MATERIAL

ITEM	UNIT	SUPER	SUB	TOTAL
Stone Riprap, Class A4	Sq Yd		375	375
Filter Fabric	Sq Yd		405	405
Concrete Removal	Cu Yd		9.5	9.5
Removal of Existing Superstructures	Each	1		1
Concrete Structures	Cu Yd		26.9	26.9
Concrete Superstructures	Cu Yd	153.5		153.5
Bridge Deck Grooving	Sq Yd	253		253
Form Liner Textured Surface	Sq Ft	258		258
Protective Coat	Sq Yd	360		360
Furnishing and Erecting Structural Steel	L Sum	1		1
Stud Shear Connectors	Each	648		648
Reinforcement Bars Epoxy Coated	Pound	28,830	5,130	33,960
Bar Splacers	Each	80		80
Aluminum Railing, Type L	Foot		34	34
Name Plates	Each		1	1



SECTION THRU ABUTMENT



TOE STONE RIPRAP DETAIL

CATILEVER FORMING BRACKETS FOR SUPERSTRUCTURES WITH W27 BEAMS AND SMALLER-STANDARD CONSTRUCTION
(From IDOT Base Sheet SB-1)

When cantilever forming brackets are used, the work shall be done according to Article 503.06(b) of the Standard Specifications, except as modified below and in the details shown on this sheet.
The finishing machine rails shall be placed on the top flange of the exterior beams.
The beams or girders, supporting cantilever forming brackets, shall be tied together at 4 foot intervals.
For Standard construction, or Stage Construction the Hardwood bracing materials shall be placed as shown between webs of beams in each bay.

DESIGNED -	200
CHECKED -	EXAMINED
DRAWN -	PASSED
CHECKED -	

GENERAL NOTES
WHITEHALL AVENUE OVER
ADDISON CREEK
F.A. RTE. 4025
SECTION 09-00071-00-BR
COOK COUNTY
STATION 30+67.04
STRUCTURE No. 016-7618

SHEET NO. S-2 SHEETS	F.A. RTE.	SECTION	COUNTY	TOTAL SHEETS	SHEET NO.
	4025	09-00071-00-BR	COOK	31	14
FED. ROAD DIST. NO.			ILLINOIS FED. AID PROJECT		
CONTRACT NO. 63437					