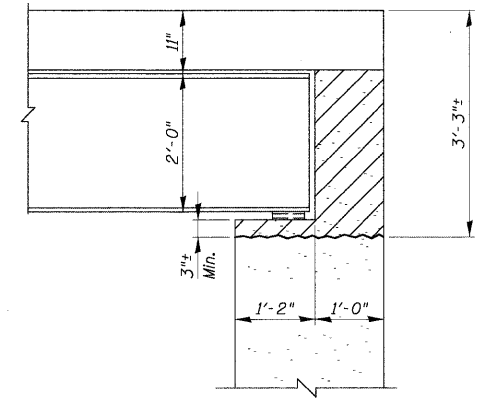
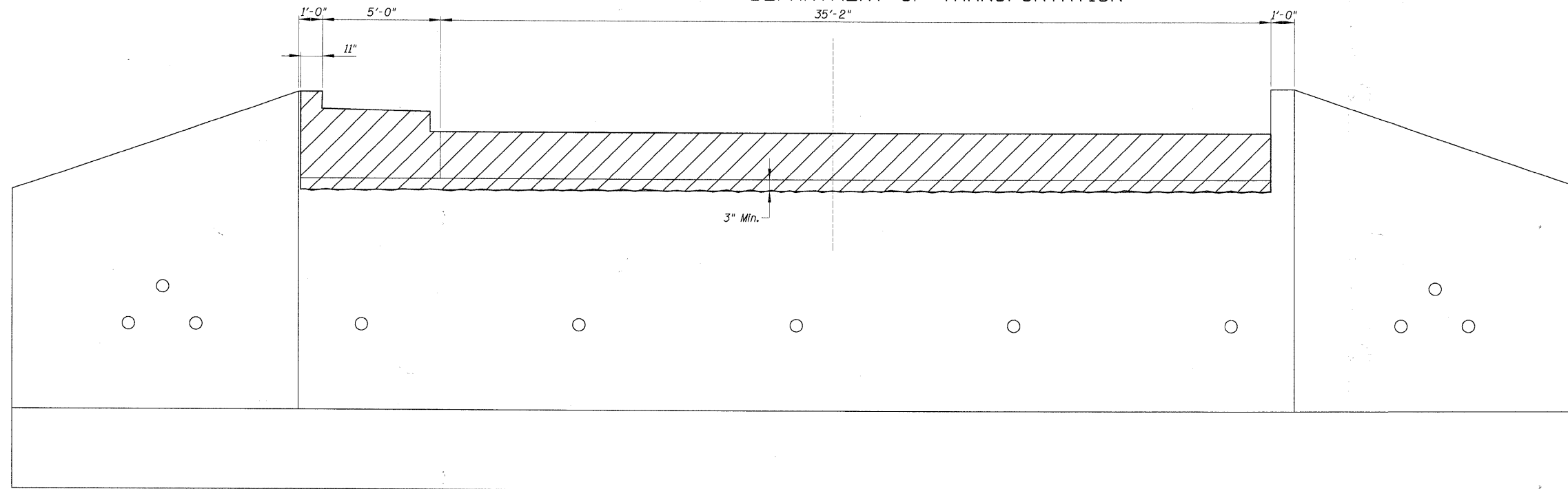
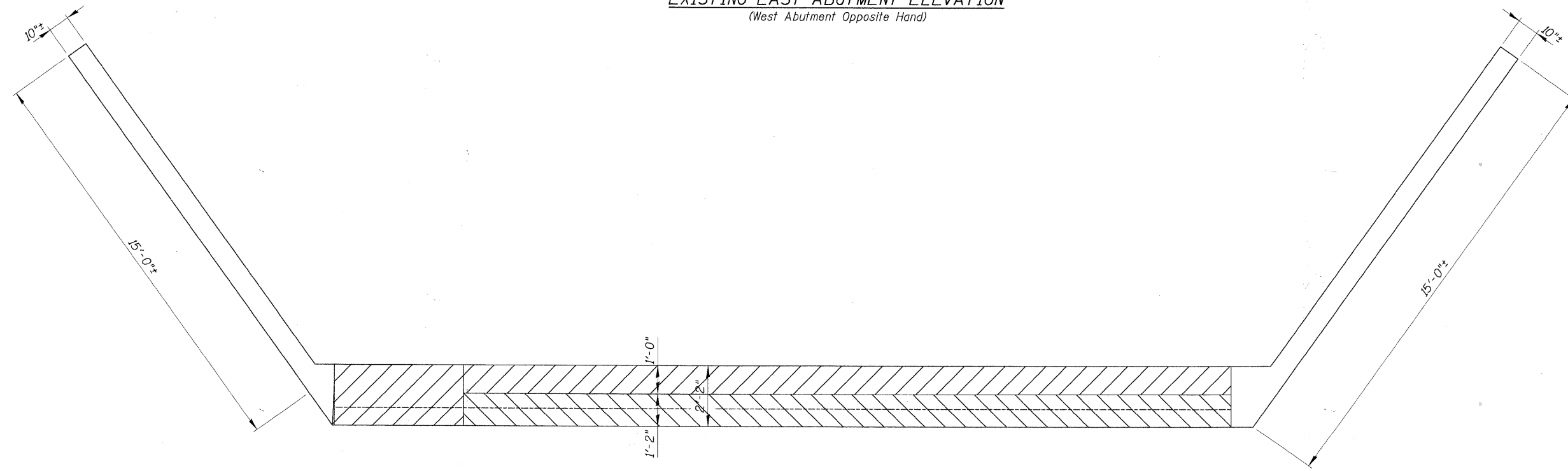


STATE OF ILLINOIS
DEPARTMENT OF TRANSPORTATION



SECTION THRU ABUTMENTS

EXISTING EAST ABUTMENT ELEVATION
(West Abutment Opposite Hand)



EXISTING EAST ABUTMENT PLAN
(West Abutment Opposite Hand)

- LEGEND:
- Concrete Removal (Backwall/Abutment)
 - Concrete Removal (Beam Seat)

EXISTING ABUTMENT
WHITEHALL AVENUE OVER
ADDISON CREEK
F.A. RTE. 4025
SECTION 09-00071-00-BR
COOK COUNTY
STATION 30+67.04
STRUCTURE No. 016-7618

DESIGNED -	200
CHECKED -	EXAMINED
DRAWN -	PASSED
CHECKED -	

SHEET NO. S-12 SHEETS	F.A. RTE.	SECTION	COUNTY	TOTAL SHEETS	SHEET NO.
	4025	09-00071-00-BR	COOK	31	24
CONTRACT NO. 63437					
FED. ROAD DIST. NO. ILLINOIS FED. AID PROJECT					