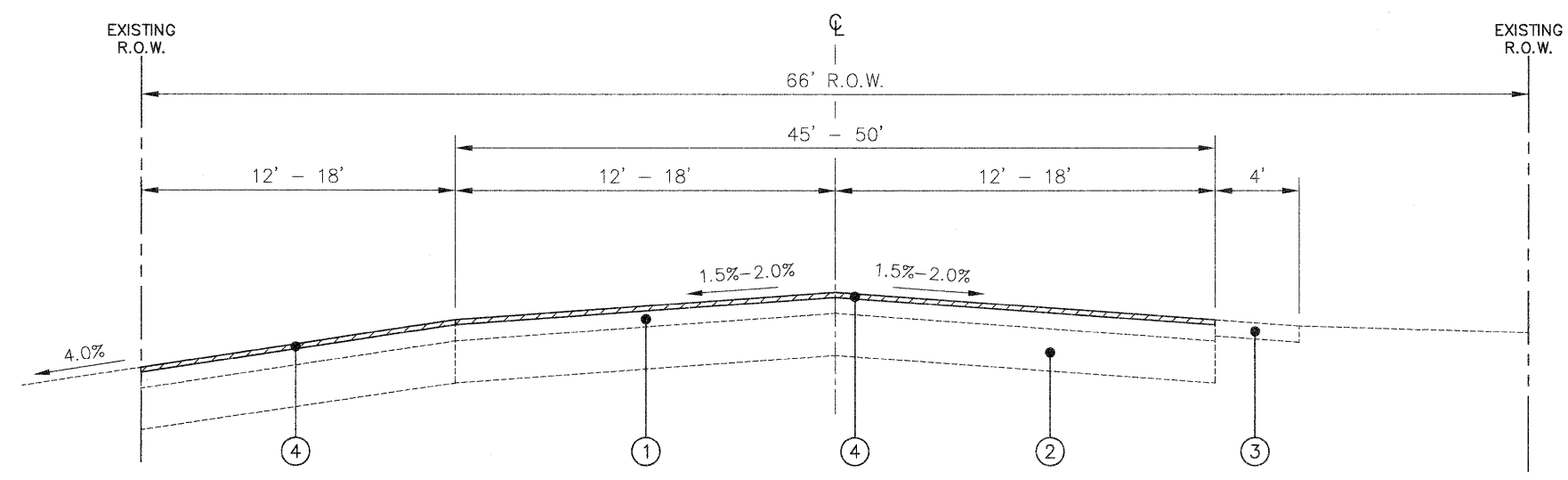
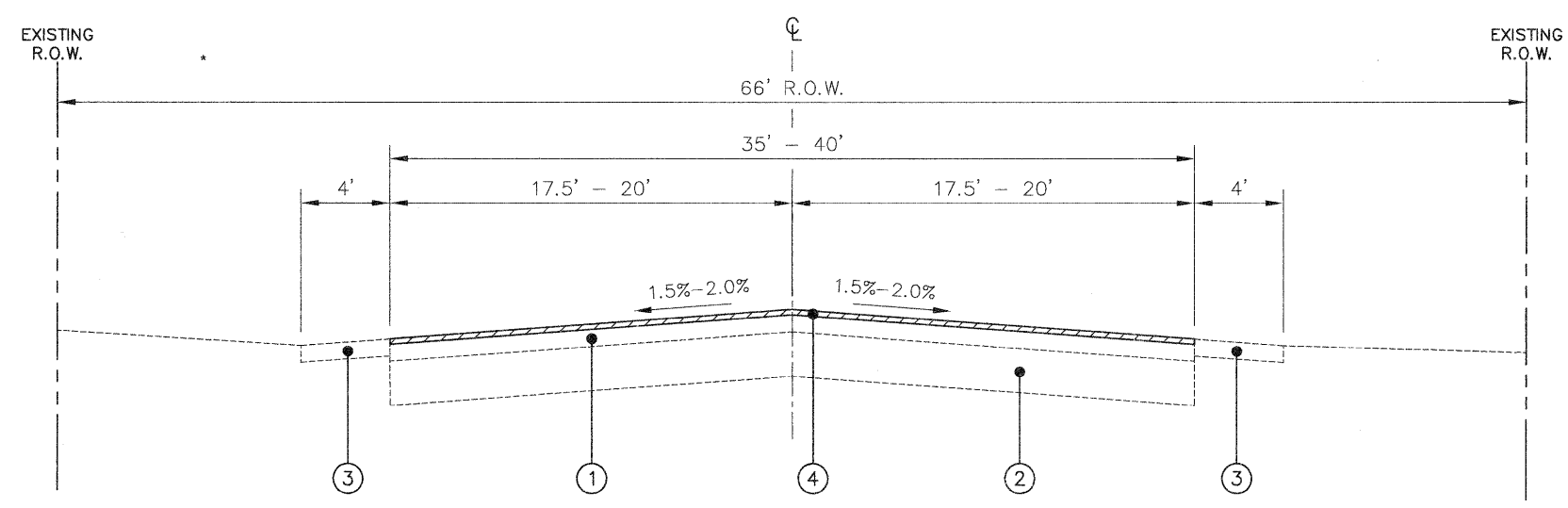


F.A.U. RTE.	SECTION	COUNTY	TOTAL SHEETS	SHEET NO.
2321	10-00018-00-RS	KANE	14	4
CONTRACT NO. 63460				



**EXISTING TYPICAL SECTION
STA 10+00 TO STA 15+43, DIETRICH ROAD**
N.T.S.



**EXISTING TYPICAL SECTION
STA 15+43 TO STA 17+36, DIETRICH ROAD**
N.T.S.

LEGEND	
①	EXISTING ASPHALT PAVEMENT, 6"
②	EXISTING AGGREGATE BASE, 12"
③	EXISTING AGGREGATE SHOULDER
④	HOT-MIX ASPHALT SURFACE REMOVAL, 1.5"
⑤	HOT-MIX ASPHALT SURFACE COURSE, MIX "C", N50, 2.0"
⑥	LEVELING BINDER (MACHINE METHOD), N50, 1.25"
⑦	AGGREGATE SHOULDERS (SPECIAL)
⑧	BITUMINOUS MATERIALS (PRIME COAT) AND AGGREGATE (PRIME COAT)

Plotted: May 24, 2010 @ 10:50 AM By: Larry Nelson - Tab: 04 Typ: Sections 22x34

Engineering Enterprises, Inc.
 CONSULTING ENGINEERS
 52 Wheeler Road
 Sugar Grove, Illinois 60554
 630.466.6700 / www.eeiweb.com

VILLAGE OF HAMPSHIRE
 KANE COUNTY, ILLINOIS

NO.	DATE	REVISIONS

DIETRICH ROAD
LAPP IMPROVEMENTS

TYPICAL EXISTING SECTIONS
AND REMOVAL WORK

DATE:	JANUARY 2010
PROJECT NO:	HA0957
FILE:	HA0957-CVR
SHEET	4 OF 14

Path: \\SUSPACRO\VIAC957\DWG\DWG_FINAL_ENG\HA0957-CVR