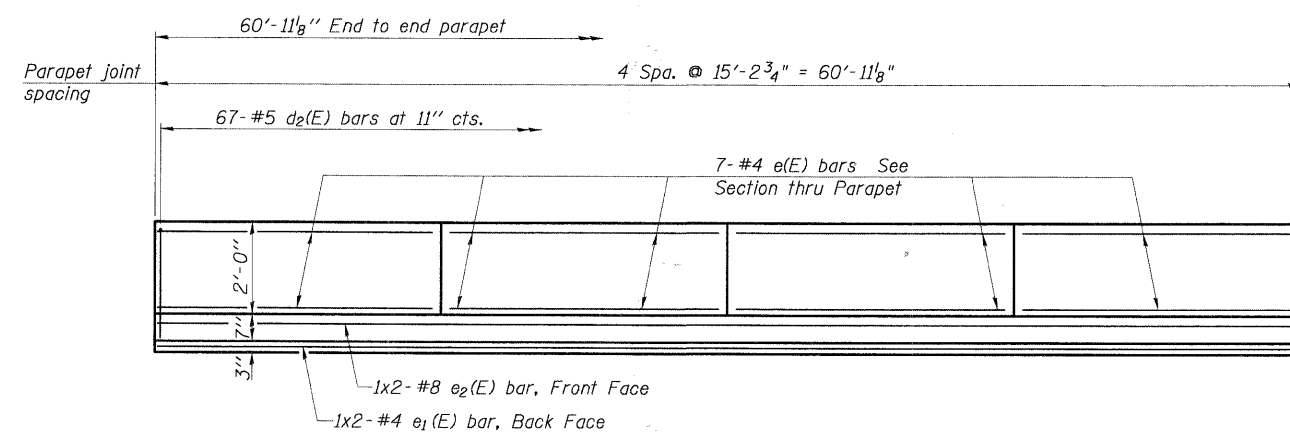
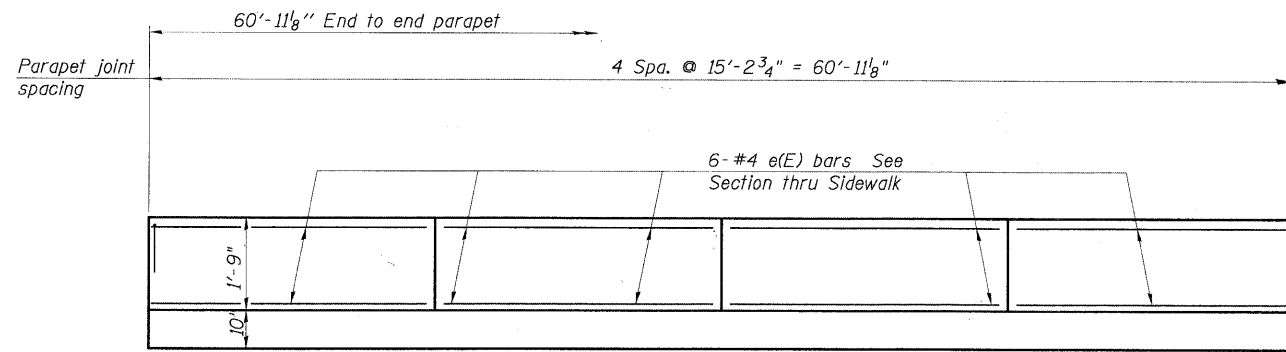


STATE OF ILLINOIS  
DEPARTMENT OF TRANSPORTATION



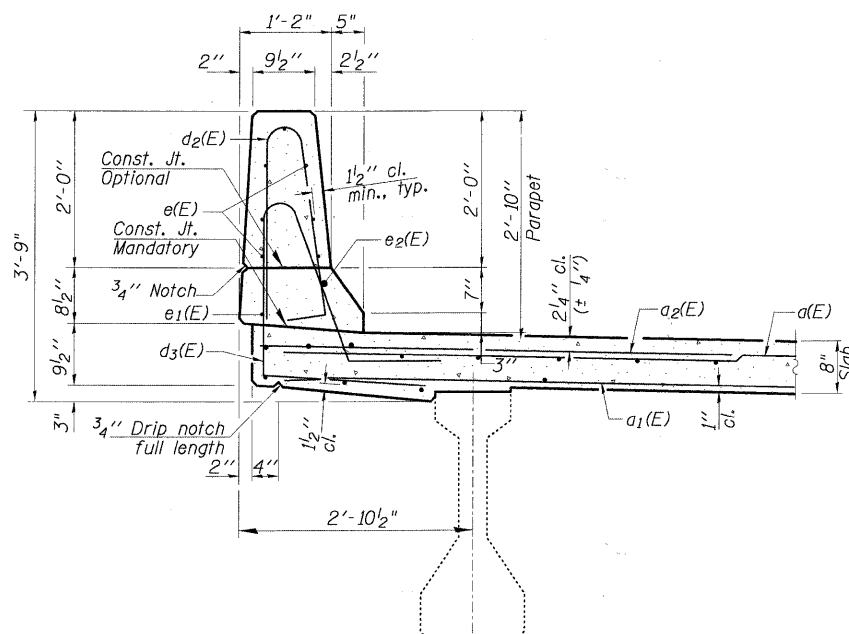
**INSIDE ELEVATION OF SIDEWALK**  
(See Sheet S-8 For Aluminum Railing Post Spacing)

**INSIDE ELEVATION OF PARAPET**

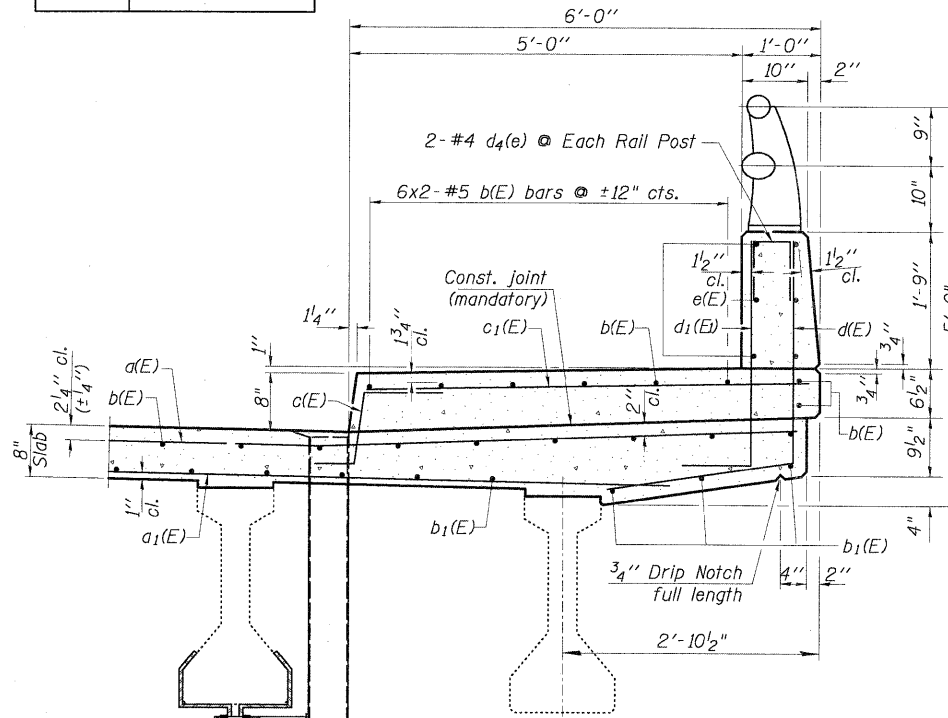
MINIMUM BAR LAP	
#4	1'-4"
#8	3'-5"

**SUPERSTRUCTURE  
BILL OF MATERIAL**

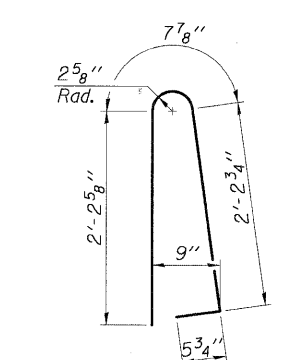
Bar	No.	Size	Length	Shape
a(E)	91	#5	36'-4"	—
a1(E)	74	#5	36'-0"	—
a2(E)	42	#6	6'-0"	—
a3(E)	30	#5	5'-7"	—
b(E)	94	#5	31'-4"	—
b1(E)	78	#5	21'-6"	—
c(E)	61	#5	2'-4"	—
c1(E)	61	#5	5'-6"	—
d(E)	61	#4	4'-8"	—
d1(E)	61	#6	3'-9"	—
d2(E)	67	#5	5'-7"	—
d3(E)	67	#5	7'-6"	—
d4(E)	24	#4	2'-0"	—
e(E)	52	#4	15'-0"	—
e1(E)	2	#4	31'-2"	—
e2(E)	2	#8	32'-3"	—
x(E)	60	#5	7'-4"	—
x1(E)	74	#5	4'-1"	—



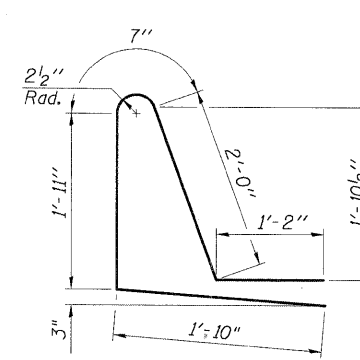
**SECTION THRU PARAPET**



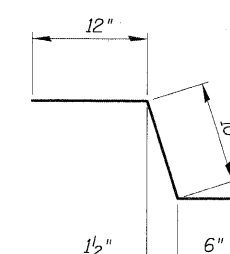
**SECTION THRU SIDEWALK**



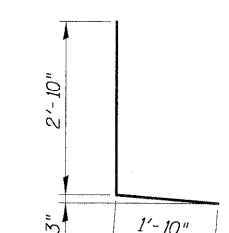
**BAR d2(E)**



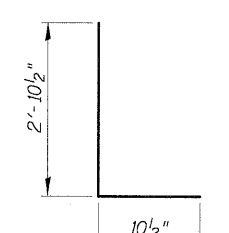
**BAR d3(E)**



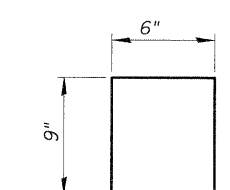
**BAR c(E)**



**BAR d(E)**



**BAR d1(E)**



**BAR d4(E)**

**SUPERSTRUCTURE DETAILS**  
IL RTE 53 E. FRONTAGE ROAD  
OVER SALT CREEK  
F.A.U. ROUTE 2594  
SEC. 04-00091-00-BR  
COOK COUNTY  
STATION 21+81.13  
STRUCTURE NO. 016-1123

DESIGNED -	200
CHECKED -	EXAMINED
DRAWN -	PASSED
CHECKED -	ENGINEER OF BRIDGES AND STRUCTURES

SHEET NO.	F.A.U. RTE.	SECTION	COUNTY	TOTAL SHEETS	SHEET NO.
S-7	2594	04-00091-00-BR	COOK	50	14
SHEETS			CONTRACT NO. 63471		
FED. ROAD DIST. NO. 1 ILLINOIS FED. AID PROJECT					