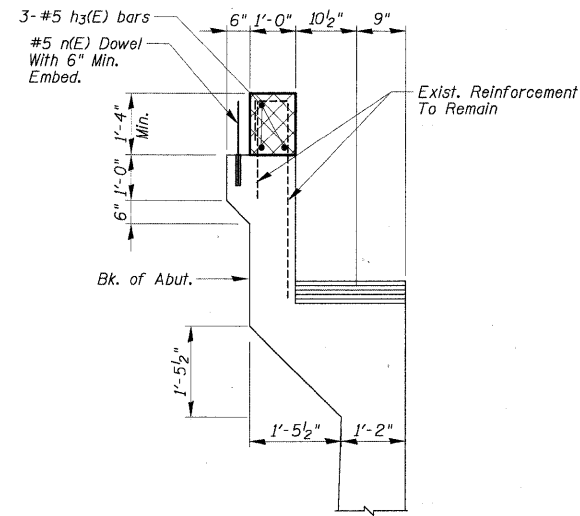
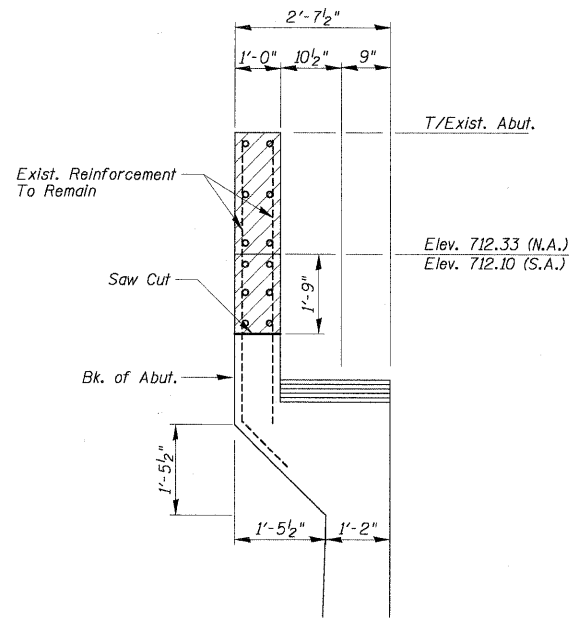


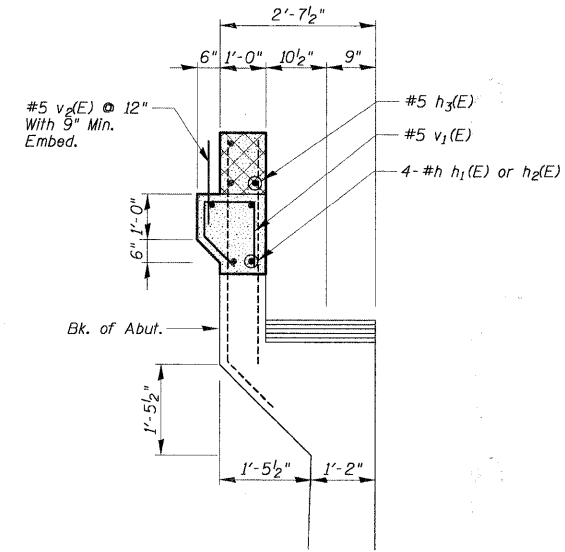
STATE OF ILLINOIS
DEPARTMENT OF TRANSPORTATION



SECTION A-A



EXISTING SECTION B-B



PROPOSED SECTION B-B

NOTES:

1. Remove The Top Of The Existing Abutments As Shown.
2. Bonded Construction Joints Shall Be In Accordance With The Standard Specifications.
3. Existing Reinforcement Bars Shall Be Extended Into New Concrete. See General Notes On S-2.
4. All Edges Shall Have Standard $\frac{3}{4}$ " Chamfers Except As Noted.
5. Hatched Area To Be Poured After Deck Slab Forms Have Been Removed.
6. Reinforcement Bars Designated (E) Shall Be Epoxy Coated.

LEGEND:

- New Concrete
- Concrete Removal
- To Be Poured After Deck Slab Forms Have Been Removed

ABUTMENT DETAILS
IL RTE 53 E. FRONTAGE ROAD
OVER SALT CREEK
F.A.U. ROUTE 2594
SEC. 04-00091-00-BR
COOK COUNTY
STATION 21+81.13
STRUCTURE NO. 016-1123

DESIGNED -	200
CHECKED -	EXAMINED
DRAWN -	PASSED
CHECKED -	

SHEET NO. S-15 SHEETS	F.A.U. RTE.	SECTION	COUNTY	TOTAL SHEETS	SHEET NO.
	2594	04-00091-00-BR	COOK	50	22
CONTRACT NO. 63471					
FED. ROAD DIST. NO. 1 ILLINOIS FED. AID PROJECT					