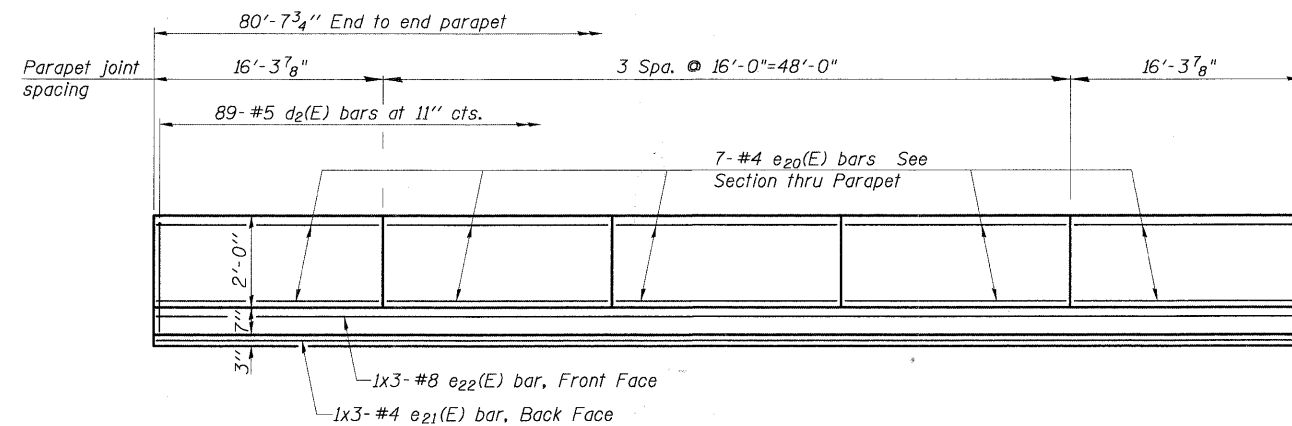
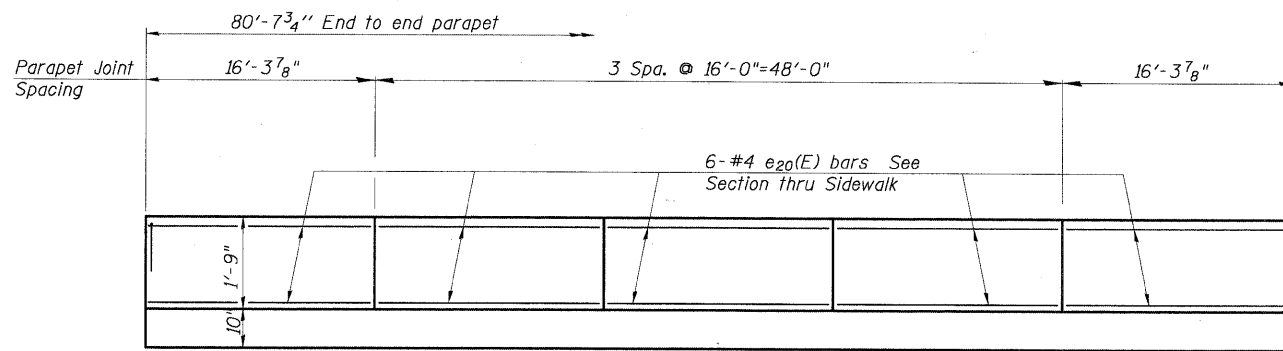


STATE OF ILLINOIS  
DEPARTMENT OF TRANSPORTATION



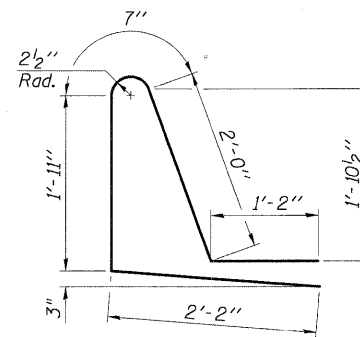
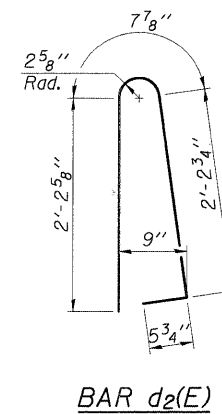
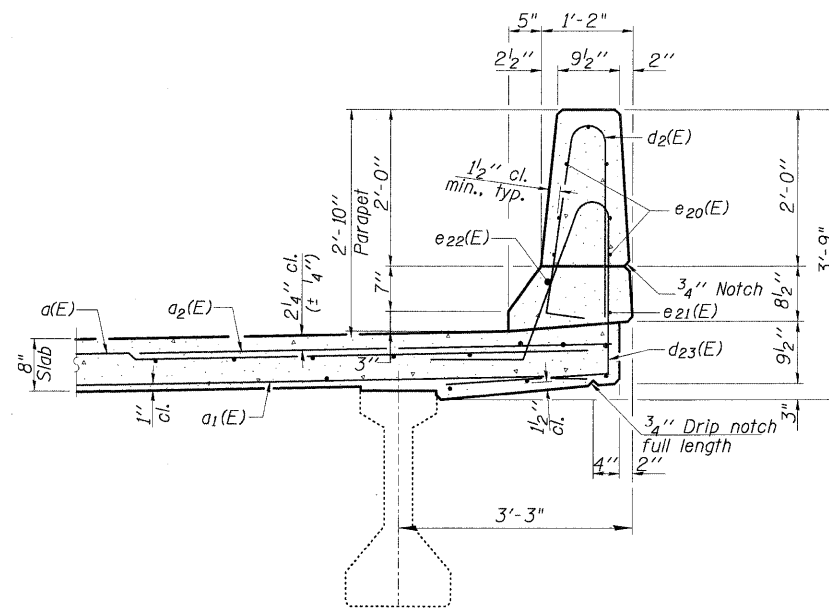
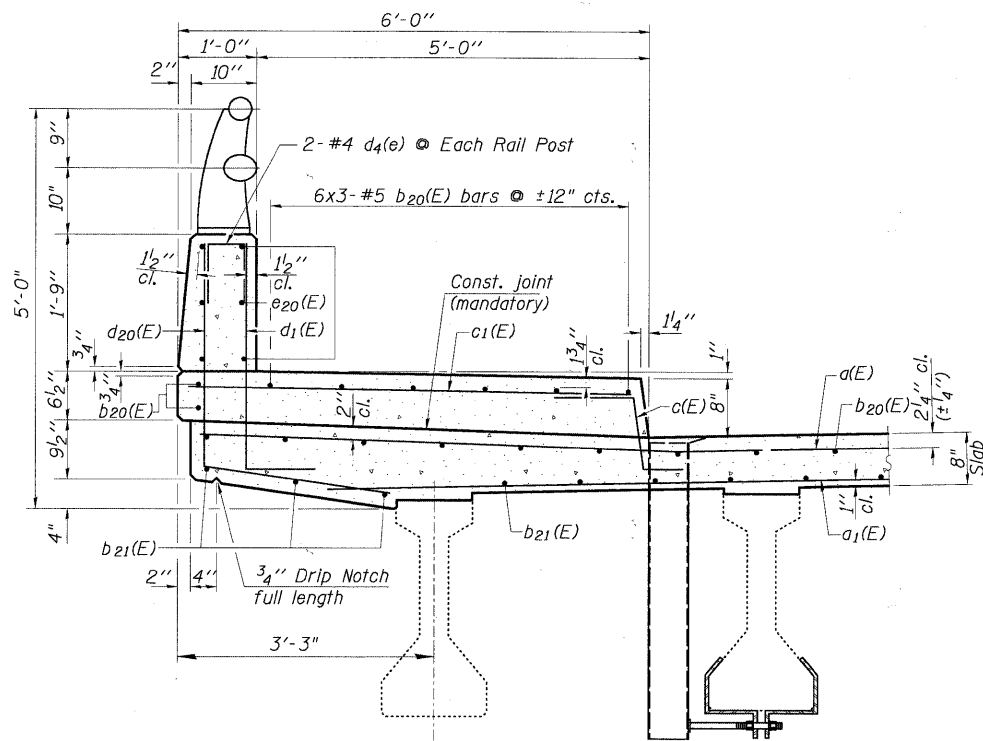
INSIDE ELEVATION OF SIDEWALK

INSIDE ELEVATION OF PARAPET

| MINIMUM BAR LAP |       |
|-----------------|-------|
| #4              | 1'-4" |
| #8              | 3'-5" |

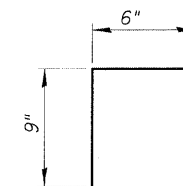
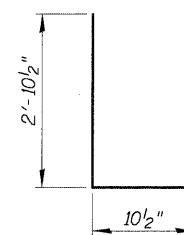
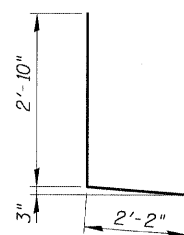
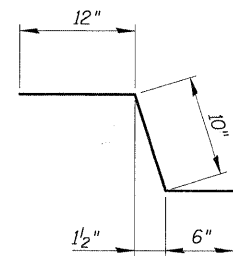
SUPERSTRUCTURE  
BILL OF MATERIAL

| Bar                              | No. | Size | Length   | Shape  |
|----------------------------------|-----|------|----------|--------|
| a(E)                             | 108 | #5   | 36'-4"   | —      |
| a1(E)                            | 97  | #5   | 36'-0"   | —      |
| a2(E)                            | 51  | #6   | 6'-0"    | —      |
| a3(E)                            | 36  | #5   | 5'-7"    | —      |
| a4(E)                            | 8   | #5   | 47'-0"   | —      |
| b20(E)                           | 141 | #5   | 28'-0"   | —      |
| b21(E)                           | 48  | #5   | 41'-3"   | —      |
| c(E)                             | 81  | #5   | 2'-4"    | —      |
| c1(E)                            | 81  | #5   | 5'-6"    | —      |
| d1(E)                            | 81  | #6   | 3'-9"    | L      |
| d2(E)                            | 89  | #5   | 5'-7"    | A      |
| d4(E)                            | 18  | #4   | 2'-0"    | □      |
| d20(E)                           | 81  | #4   | 5'-0"    | L      |
| d23(E)                           | 89  | #5   | 7'-10"   | A      |
| e20(E)                           | 65  | #4   | 15'-9"   | —      |
| e21(E)                           | 3   | #4   | 28'-0"   | —      |
| e22(E)                           | 3   | #8   | 29'-0"   | —      |
| x(E)                             | 60  | #5   | 7'-4"    | —      |
| x1(E)                            | 74  | #5   | 4'-1"    | —      |
| Reinforcement Bars, Epoxy Coated |     |      | Pound    | 19,380 |
| Concrete Superstructure          |     |      | Cu. Yds. | 103.5  |



SECTION THRU SIDEWALK

SECTION THRU PARAPET



BAR c(E)

BAR d20(E)

BAR d(E)

BAR d4(E)

SUPERSTRUCTURE DETAILS  
IL RTE 53 W. FRONTAGE ROAD  
OVER SALT CREEK  
F.A.U. ROUTE 2592  
SEC. 04-00091-00-BR  
COOK COUNTY  
STATION 11+91.39  
STRUCTURE NO. 016-1122

|          |          |
|----------|----------|
| DESIGNED | 200      |
| CHECKED  | EXAMINED |
| DRAWN    | PASSED   |
| CHECKED  |          |

|                            |             |                |          |                  |           |
|----------------------------|-------------|----------------|----------|------------------|-----------|
| SHEET NO.<br>S-7<br>SHEETS | F.A.U. RTE. | SECTION        | COUNTY   | TOTAL SHEETS     | SHEET NO. |
|                            | 2592        | 04-00091-00-BR | COOK     | 50               | 31        |
| FED. ROAD DIST. NO.        |             |                | ILLINOIS | FED. AID PROJECT |           |
| CONTRACT NO. 63471         |             |                |          |                  |           |