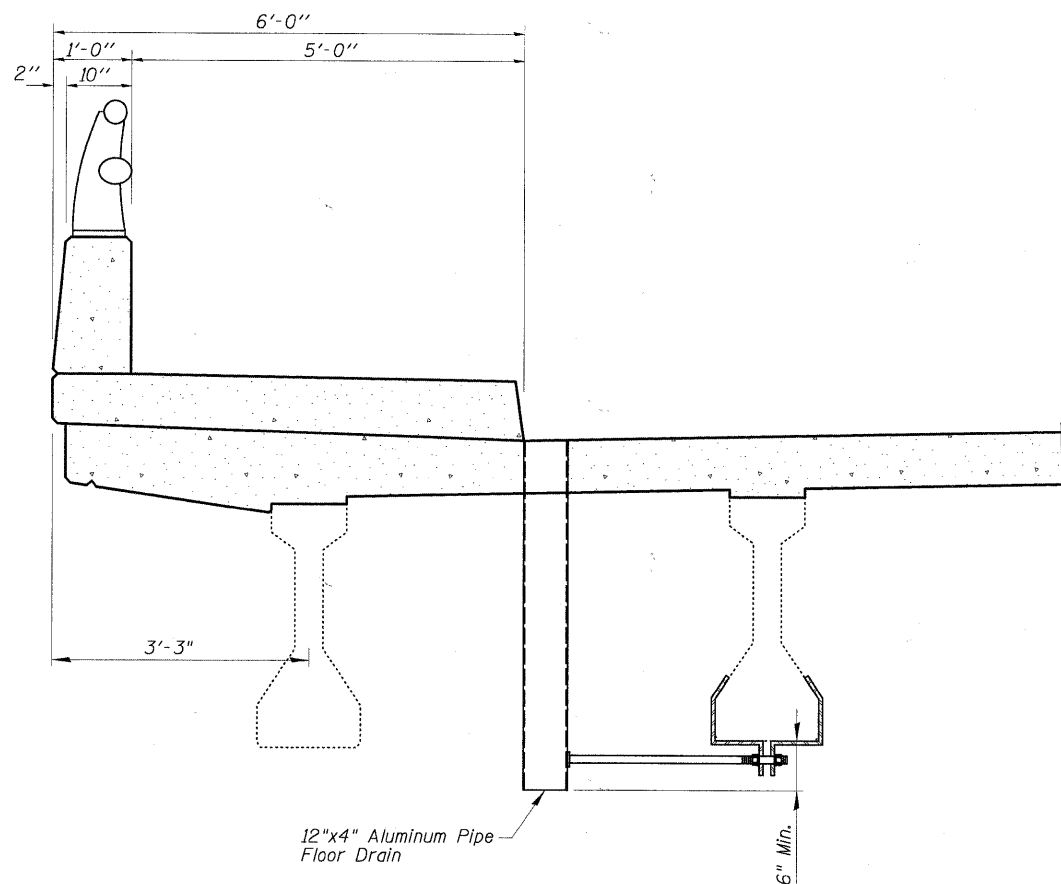
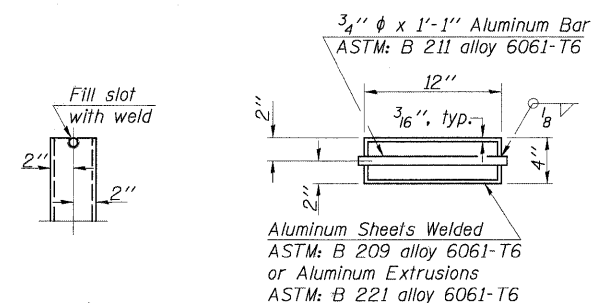


STATE OF ILLINOIS
DEPARTMENT OF TRANSPORTATION

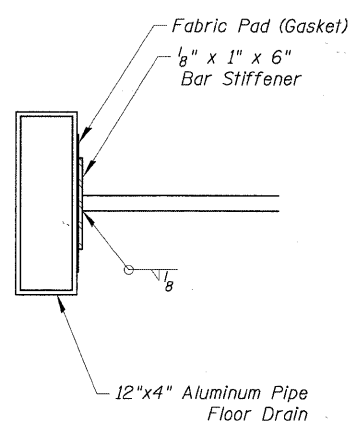


SECTION AT SIDEWALK

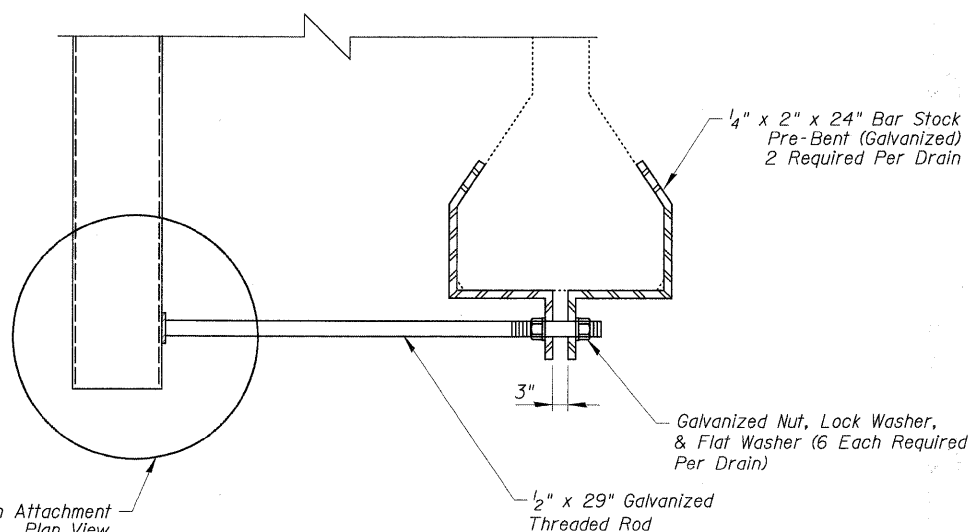
Notes:
Drains shall be located clear of all diaphragms.
The floor drains need not be painted.
Fiberglass pipe shall conform to ASTM D 2996, with short-time rupture strength hoop tensile stress of 30,000 p.s.i. minimum.
Galvanize clamping device according to AASHTO M232. Cost of clamping device and inserts is included with "Floor Drains (Special)".



TOP PLAN OF FLOOR DRAIN

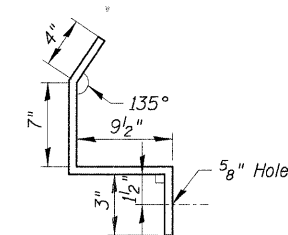


DRAIN ATTACHMENT PLAN VIEW



ATTACHMENT DETAILS

Notes:
Pop Rivet the 1/8" x 1" Bar to Floor Drain. Weld or Securely Attach Rod to Both the Bracket and Bar Stiffener.
Use 3/16" Stainless Steel Pop Rivets of Sufficient Length.
Cost of Floor Drain Attachments is Included with "Floor Drains (Special)".



BRACKET DETAIL

FLOOR DRAINS DETAILS
IL RTE 53 W. FRONTAGE ROAD
OVER SALT CREEK
F.A.U. ROUTE 2592
SEC. 04-00091-00-BR
COOK COUNTY
STATION 11+91.39
STRUCTURE NO. 016-1122

DESIGNED -	200
CHECKED -	EXAMINED ENGINEER OF BRIDGE DESIGN
DRAWN -	PASSED ENGINEER OF BRIDGES AND STRUCTURES
CHECKED -	

SHEET NO. S-9 SHEETS	F.A.U. RTE.	SECTION	COUNTY	TOTAL SHEETS	SHEET NO.
	2592	04-00091-00-BR	COOK	50	33
FED. ROAD DIST. NO.			ILLINOIS	FED. AID PROJECT	
CONTRACT NO. 63471					