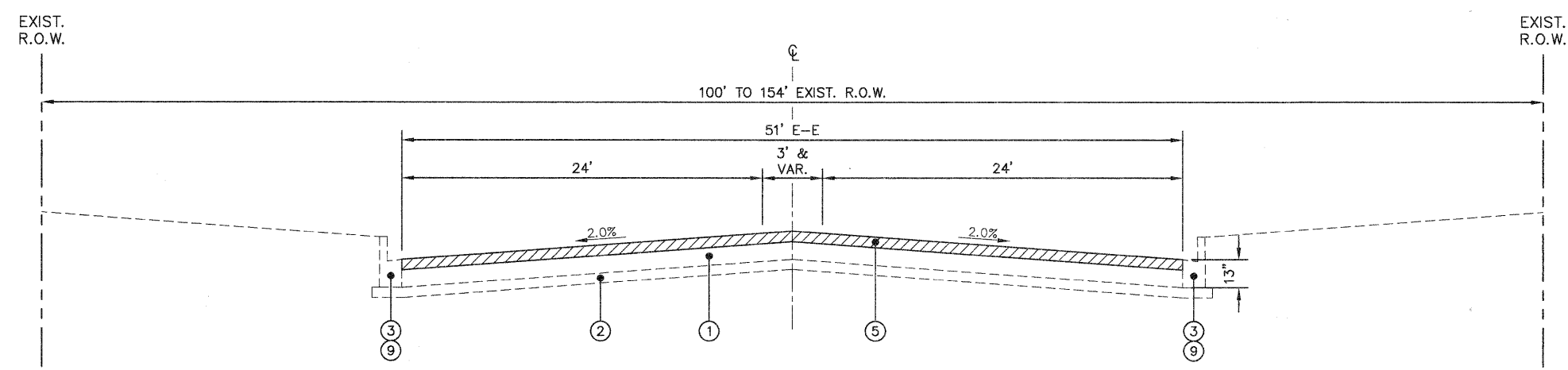
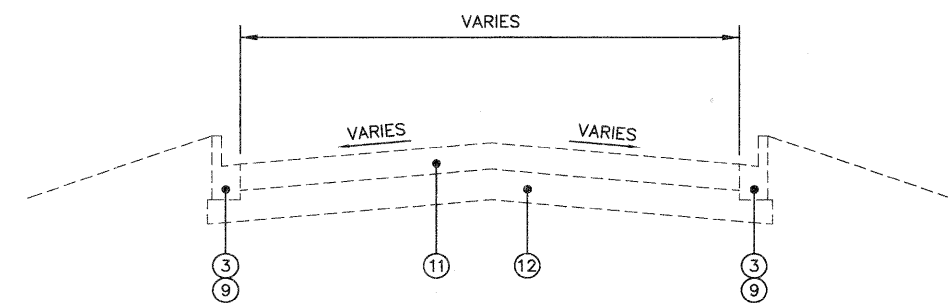


EXISTING TYPICAL SECTION
FROM STA 267+17 TO STA 295+45, BIG TIMBER ROAD
 N.T.S.



EXISTING TYPICAL SECTION
FROM STA 295+45 TO STA 297+67 AND
FROM STA 298+94 TO STA 324+15, BIG TIMBER ROAD
 N.T.S.

LEGEND	
①	EXISTING 13" ASPHALT PAVEMENT
②	EXISTING 4" AGGREGATE BASE COURSE
③	EXISTING B-6.12 COMBINATION CURB AND GUTTER
④	EXISTING PORTLAND CEMENT CONCRETE SIDEWALK, 5"
⑤	HOT-MIX ASPHALT SURFACE REMOVAL, 2.75"
⑥	HOT-MIX ASPHALT SURFACE COURSE, MIX "D", N70, 2.0"
⑦	POLYMERIZED LEVELING BINDER (MACHINE METHOD), IL-4.75, N50, 3/4"
⑧	BITUMINOUS MATERIALS (PRIME COAT) AND AGGREGATE (PRIME COAT)
⑨	COMBINATION CONCRETE CURB AND GUTTER REMOVAL AND REPLACEMENT (AT VARIOUS LOCATIONS)
⑩	PORTLAND CEMENT CONCRETE SIDEWALK REMOVAL AND REPLACEMENT (AT VARIOUS LOCATIONS)
⑪	EXISTING HOT-MIX ASPHALT DRIVEWAY PAVEMENT, VARIABLE THICKNESS
⑫	EXISTING AGGREGATE BASE COURSE, VARIABLE THICKNESS
⑬	HOT-MIX ASPHALT SURFACE COURSE, MIX "C", N50, 2"
⑭	HOT-MIX ASPHALT BASE COURSE, 8"
⑮	AGGREGATE BASE COURSE, TYPE B, 4"



EXISTING DRIVEWAY
TYPICAL SECTION

Plotted: May 20, 2010 @ 2:11 PM By: Larry Nolan - Tab: 04 Section - 22x34

COPYRIGHT © 2010 ENGINEERING ENTERPRISES, INC.

Engineering Enterprises, Inc.
 CONSULTING ENGINEERS
 52 Wheeler Road
 Sugar Grove, Illinois 60554
 630.466.6700 / www.eeiweb.com

CITY OF ELGIN

NO.	DATE	REVISIONS

BIG TIMBER ROAD
LAPP IMPROVEMENTS

TYPICAL EXISTING
SECTIONS AND
REMOVAL WORK

DATE:	MARCH 2010
PROJECT NO:	EG0908
FILE:	EG0908-CVR
SHEET	4 OF 20

Path: \\S:\S\PROJ\EG0908\DWG\FINAL ENG\EG0908-CVR