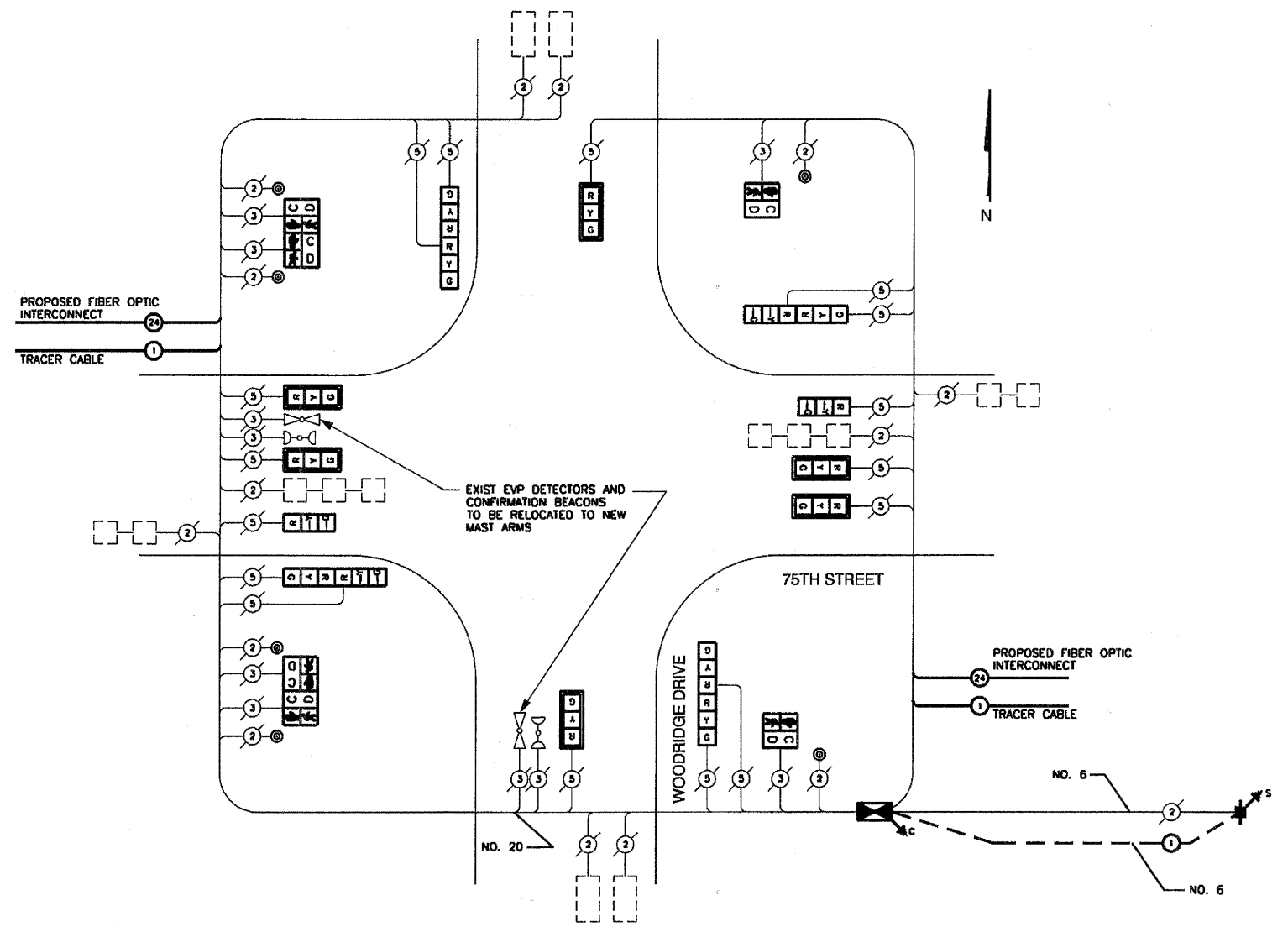


SCHEDULE OF QUANTITIES

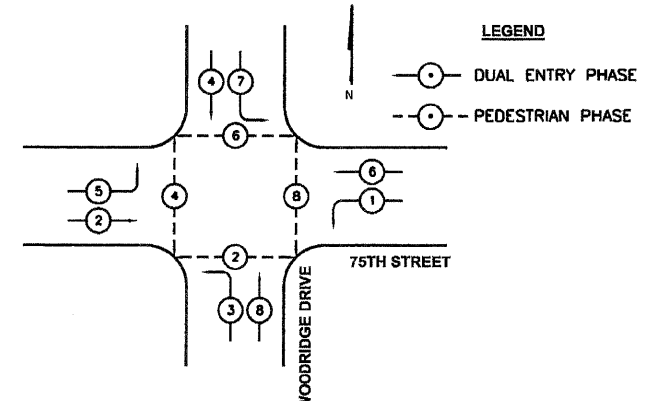
ITEM NO.	DESCRIPTION	UNIT	QUANTITY
67100100	MOBILIZATION	L SUM	0.06
70102630	TRAFFIC CONTROL AND PROTECTION, STANDARD 701601	L SUM	0.06
70102635	TRAFFIC CONTROL AND PROTECTION, STANDARD 701701	L SUM	0.06
70102640	TRAFFIC CONTROL AND PROTECTION, STANDARD 701801	L SUM	0.06
81000700	CONDUIT IN TRENCH, 2 1/2" DIA., GALVANIZED STEEL	FOOT	20
81018600	CONDUIT PUSHED, 2 1/2" DIA., GALVANIZED STEEL	FOOT	27
85000200	MAINTENANCE OF EXISTING TRAFFIC SIGNAL INSTALLATION	EACH	1
86400100	TRANSCEIVER - FIBER OPTIC	EACH	1
87502500	TRAFFIC SIGNAL POST, GALVANIZED STEEL 18 FT	EACH	4
87700180	STEEL MAST ARM ASSEMBLY AND POLE, 28 FT.	EACH	2
87800100	CONCRETE FOUNDATION, TYPE A	FOOT	16
87900200	DRILL EXISTING HANDHOLE	EACH	2
88030020	SIGNAL HEAD, LED, 1-FACE, 3-SECTION, MAST-ARM MOUNTED	EACH	6
88030050	SIGNAL HEAD, LED, 1-FACE, 3-SECTION, BRACKET MOUNTED	EACH	2
88030210	SIGNAL HEAD, LED, 2-FACE, 3-SECTION, BRACKET MOUNTED	EACH	4
88102717	PEDESTRIAN SIGNAL HEAD, LED, 1-FACE, BRACKET MOUNTED WITH COUNTDOWN TIMER	EACH	2
88102747	PEDESTRIAN SIGNAL HEAD, LED, 2-FACE, BRACKET MOUNTED WITH COUNTDOWN TIMER	EACH	2
88200110	TRAFFIC SIGNAL BACKPLATE, LOUVERED	EACH	6
88500100	INDUCTIVE LOOP DETECTOR	EACH	10
88800100	PEDESTRIAN PUSH BUTTON	EACH	6
89501400	RELOCATE EXISTING EMERGENCY VEHICLE PRIORITY SYSTEM, DETECTOR UNIT	EACH	2
89501410	RELOCATE EXISTING EMERGENCY VEHICLE PRIORITY SYSTEM, PHASING UNIT	EACH	1
89502350	REMOVE AND REINSTALL ELECTRIC CABLE FROM CONDUIT	FOOT	604
89502375	REMOVE EXISTING TRAFFIC SIGNAL EQUIPMENT	EACH	1
89502385	REMOVE EXISTING CONCRETE FOUNDATION	EACH	4
X8050015	SERVICE INSTALLATION - POLE MOUNTED	EACH	1
X8620020	UNINTERRUPTIBLE POWER SUPPLY	EACH	1
X8730027	ELECTRIC CABLE IN CONDUIT, GROUNDING, NO. 6 1C	FOOT	71
X0325705	RE-OPTIMIZE TRAFFIC SIGNAL SYSTEM LEVEL 2	EACH	1
XX003665	REBUILD EXISTING HANDHOLE TO DOUBLE HANDHOLE	EACH	1

CABLE PLAN



EXIST EVP DETECTORS AND CONFIRMATION BEACONS TO BE RELOCATED TO NEW MAST ARMS

LEGEND



EXISTING AND PROPOSED PHASE DESIGNATION DIAGRAM

PROPOSED EMERGENCY VEHICLE PREEMPTORS		
EMERGENCY VEHICLE PREEMPTOR	3	4
MOVEMENT	⇐	⇐⇐

EXISTING AND PROPOSED EMERGENCY VEHICLE PREEMPTION SEQUENCE

DU PAGE COUNTY D.O.T TRAFFIC SIGNAL INSTALLATION ELECTRICAL SERVICE REQUIREMENTS					TOTAL WATTAGE
TYPE	NO. LAMPS	WATTAGE		OPERATION (%)	
		INCAND.	LED		
RED BALL	18	135	10	0.80	108
YELLOW BALL	14	135	22	0.03	9
GREEN BALL	14	135	12	0.37	62
RED ARROW	4	135	5	0.85	1
YELLOW ARROW	4	135	10	0.02	1
GREEN ARROW	4	135	5	0.13	2.6
PED - WALK	6	90	5	0.05	1.5
PED - DON'T WALK	6	90	6	0.95	34
CONTROLLER	1	100		1.00	100
LUMINAIRE		310		0.50	
TOTAL=					318

REVISIONS	
NAME	DATE

DUPAGE COUNTY DIVISION OF TRANSPORTATION
75TH STREET & WOODRIDGE DRIVE
PROPOSED CABLE PLAN,
PHASE DIAGRAM AND
AND SCHEDULE OF QUANTITIES
SCALE: NONE
DATE: 4/23/10
DRAWN BY: TH
DESIGNED BY: TH
CHECKED BY: OAZ