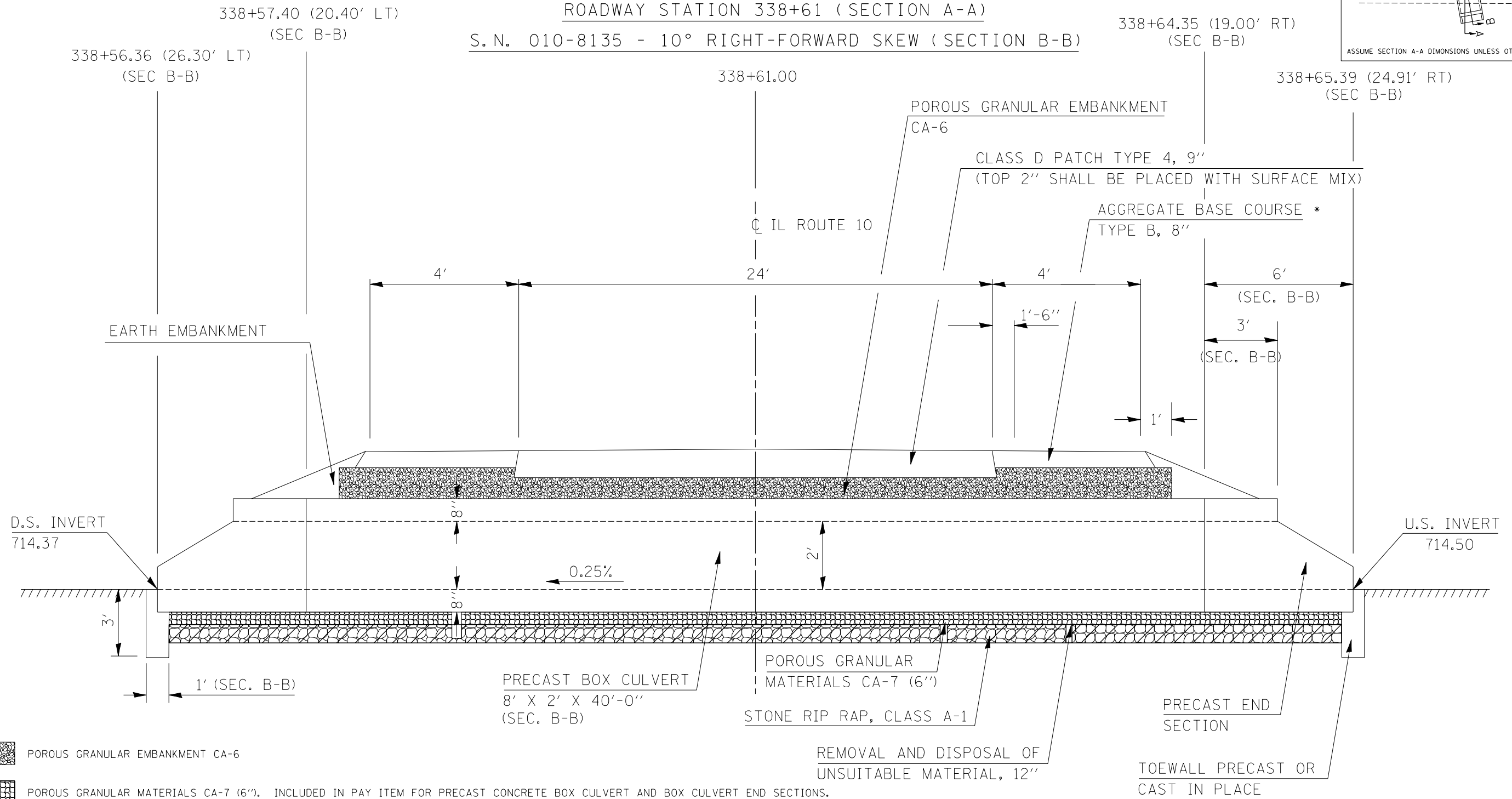
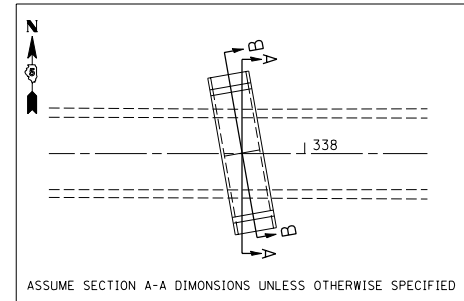





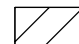
# PROPOSED BOX CULVERT SECTION

F. A. S. 1514 ( IL ROUTE 10)

ROADWAY STATION 338+61 ( SECTION A-A)

S. N. 010-8135 - 10° RIGHT-FORWARD SKEW ( SECTION B-B)



-  POROUS GRANULAR EMBANKMENT CA-6
-  POROUS GRANULAR MATERIALS CA-7 (6"). INCLUDED IN PAY ITEM FOR PRECAST CONCRETE BOX CULVERT AND BOX CULVERT END SECTIONS.
-  STONE RIP RAP, CLASS A-1.
-  REMOVAL AND DISPOSAL OF UNSUITABLE MATERIAL, 12". INCLUDED IN PAY ITEM FOR STONE RIPRAP, CLASS A-1.

\* AGGREGATE WEDGE SHOULDER, TYPE B. TO BE PLACED WITHIN PROJECT LIMITS AT 3' WIDTH AS NEEDED AND DETERMINED BY ENGINEER.

FILE NAME =	USER NAME = blackrt	DESIGNED - RTB	REVISED - RTB
ct:\pwork\pwidot\BLACKRT\d0132092\0570701-sht-typical.dgn		DRAWN - JJB	REVISED -
	PLOT SCALE = 39.9859' / IN.	CHECKED -	REVISED -
	PLOT DATE = 5/4/2010	DATE - 3-3-2009	REVISED -

**STATE OF ILLINOIS  
DEPARTMENT OF TRANSPORTATION**

**PROPOSED BOX CULVERT SECTION**

SCALE: N/A SHEET NO. OF SHEETS STA. TO STA.

F.A.S. RTE.	SECTION	COUNTY	TOTAL SHEETS	SHEET NO.
1514	4CR	CHAMPAIGN	29	6
FED. ROAD DIST. NO. ILLINOIS FED. AID PROJECT			CONTRACT NO. 70701	