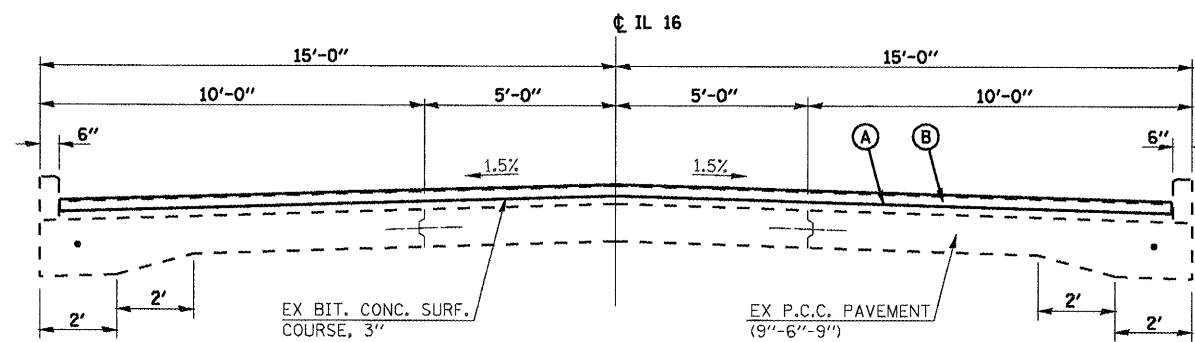


TYPICAL CROSS SECTION
STA. 43+57 TO STA. 46+07

LEGEND	
(A)	PROPOSED HOT-MIX ASPHALT SURFACE REMOVAL, 2"
(B)	PROPOSED HOT-MIX ASPHALT SURFACE COURSE, MIX D, N70, 2" DEPTH



TYPICAL CROSS SECTION
STA. 46+07 TO STA. 50+00
STA. EQUATION:
50+00 BACK = 00+00 AHEAD
STA. 00+00 TO STA. 9+84.08
BRIDGE OMISSION:
STA. 9+84.08 TO STA. 10+83.69
STA. 10+83.69 TO STA. 44+57.00

#-20RS-7, 21RS-6, 104RS, 105RS-4
#-325, 42

FILE NAME =	USER NAME = laughlinr1	DESIGNED - RTS	REVISED -
c:\pwwork\pwwid\T\LAUGHLINR1\0105356\	672052-sh-typica1.dgn	DRAWN - RTS	REVISED -
	PLOT SCALE = 20,000 ' / IN.	CHECKED -	REVISED -
	PLOT DATE = Mar-26-2010 11:59:01AM	DATE - 3-10-10	REVISED -

STATE OF ILLINOIS
DEPARTMENT OF TRANSPORTATION

TYPICAL CROSS SECTIONS		TOTAL SHEETS		SHEET NO.	
IL 16 (SCHOOL STREET)		60		8	
SCALE:	SHEET NO. 3 OF 8 SHEETS	STA.	TO STA.		

F.A.P. RTE.	SECTION	COUNTY	TOTAL SHEETS	SHEET NO.
**	.	MONTGOMERY	60	8
CONTRACT NO. 72C52				
ILLINOIS FED. AID PROJECT				