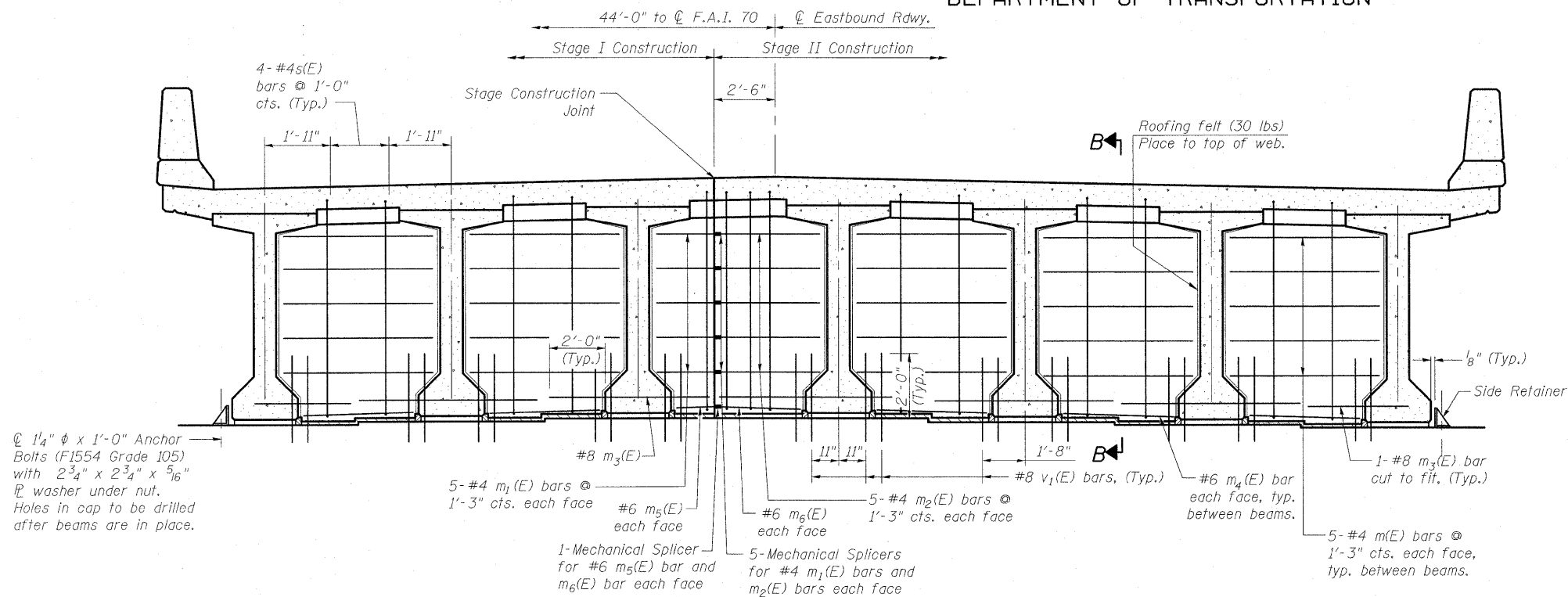


STATE OF ILLINOIS
DEPARTMENT OF TRANSPORTATION



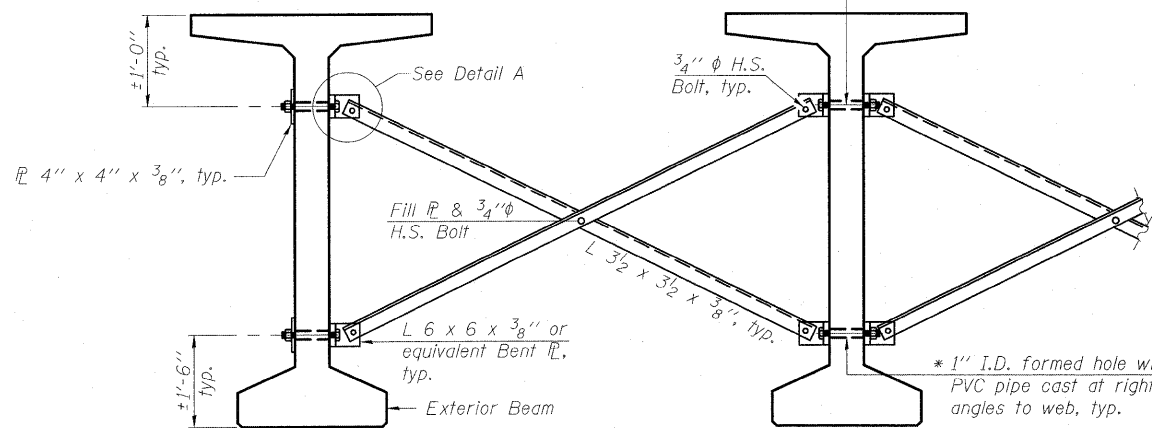
ELEVATION
DIAPHRAGM AT PIER

(Eastbound looking East)

Notes:
Reinforcement bars in diaphragm are billed with superstructure on sheet 25 of 58.
Concrete in diaphragm is included with Concrete Superstructure on sheet 25 of 58.
Cost of 30 Lb. roofing felt is included with Concrete Superstructure.
The side retainer shall be galvanized after shop fabrication according to AASHTO M11 and ASTM A 385. Cost of side retainers and anchor bolts shall be included with Concrete Structures.
For Section B-B, see sheet 32 of 58.
See sheet 39 of 58 for Side Retainer details.
All material for bracing shall be hot dip galvanized according to AASHTO M111 unless otherwise noted.
Two hardened washers are required for each set of oversized holes.
All holes shall be 1/16" phi unless otherwise noted.
5/16" x 3" x 3" plate washers are required over all slotted holes.
All bolts shall be galvanized according to AASHTO M232.
Bracing shall be installed as beams are erected and tightened as soon as possible during erection.
For v1(E) bars see sheet 44 of 58.
For s(E) bars see sheet 32 of 58.
Cost of Permanent Bracing shall be included in the cost of Furnishing and Erecting Precast Prestressed Concrete Bulb T-Beams.
The Anchor Bolt sizes and grades shown constitute a calculated seismic structural fuse. Substitution of higher diameter and/or grade Anchor Bolts will not be allowed.

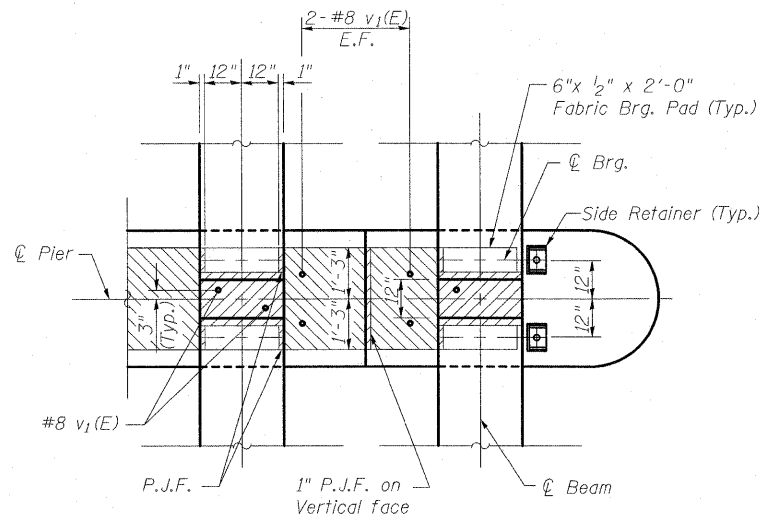
* Fabricator shall locate to miss strands within permissible tolerances.

3/4" phi A307 Bolts with lock nuts., typ.
Bolts through the concrete web shall be tightened to snug tight only.

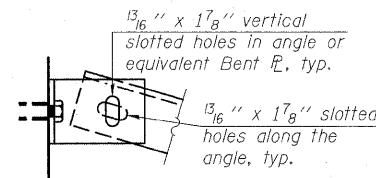


PERMANENT BRACING DETAILS
FOR BULB-T BEAMS
DIAPHRAGM D

(see sheet 34 of 58 for location)



PLAN
DIAPHRAGM AT PIER



DETAIL A

PIER DIAPHRAGM DETAILS (E.B.)
STRUCTURE NO. 025-0107

DESIGNED	B.B.
CHECKED	A.C.S.
DRAWN	W.J.S.
CHECKED	C.J.F. & B.B.



BERNARDIN
LOCHMUELLER &
ASSOCIATES, INC.

3 Oak Drive
Maryville, IL 62422-5635
Local (618) 288-4955
Fax 618-288-4666

SHEET NO. 33	F.A.I. RTE.	SECTION	COUNTY	TOTAL SHEETS	SHEET NO.
	70	(25-3)B	EFFINGHAM	1416	65
58 SHEETS	SN 025-0107		CONTRACT NO. 74296		
FED. ROAD DIST. NO. 7 ILLINOIS		FED. AID PROJECT 70			