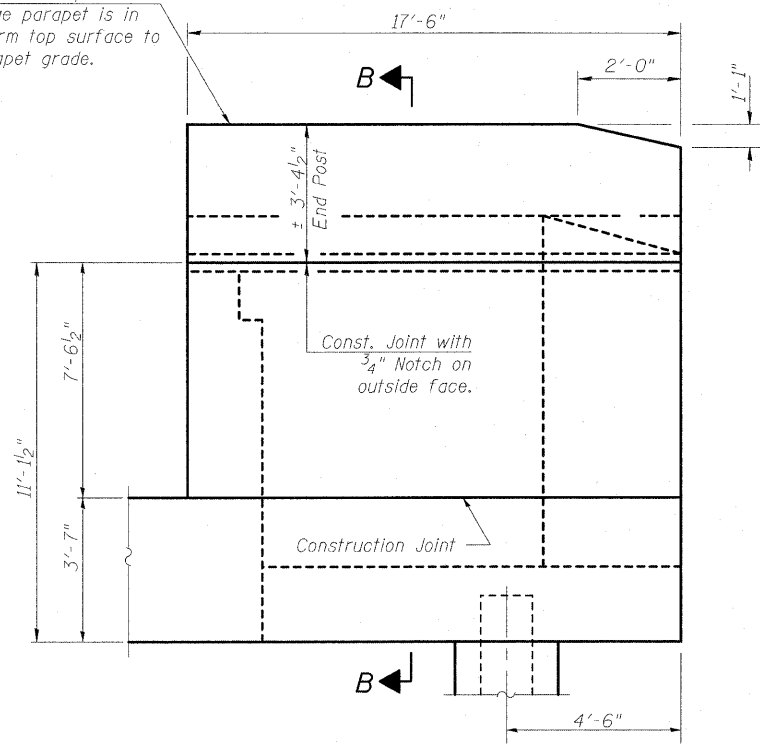
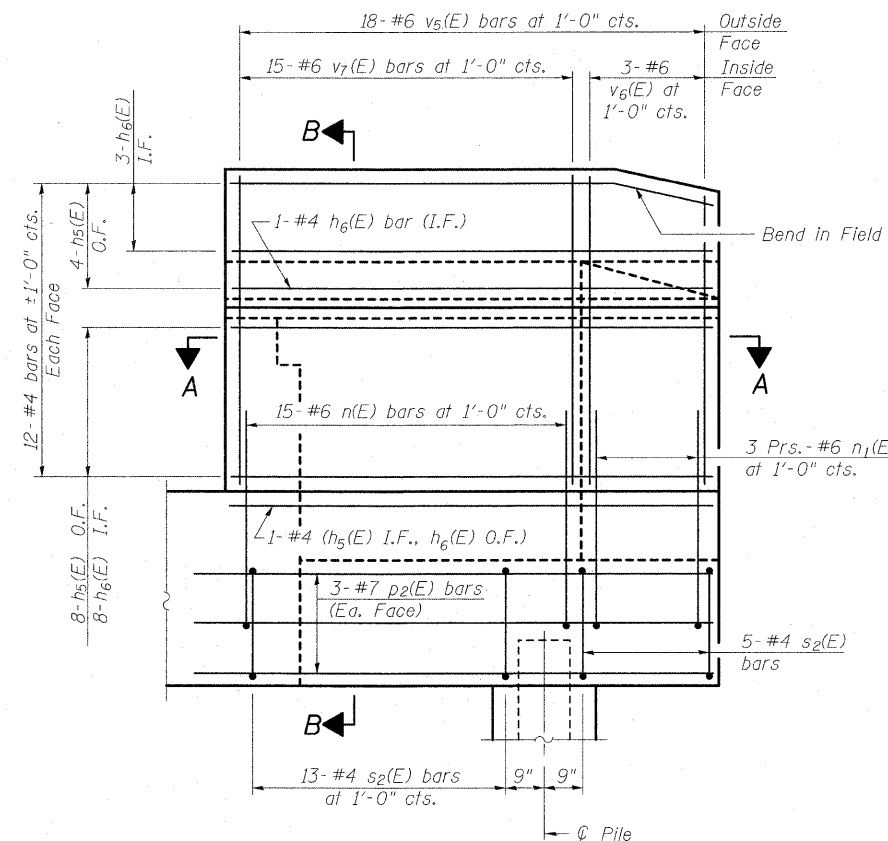


STATE OF ILLINOIS
DEPARTMENT OF TRANSPORTATION

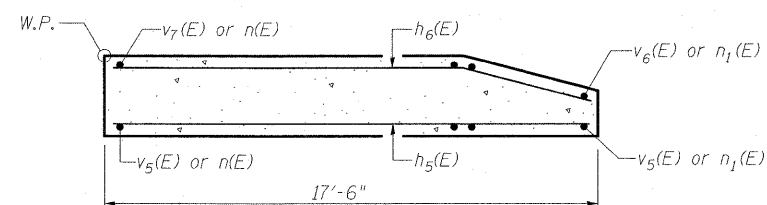
End Post shall be poured after bridge parapet is in place. Form top surface to match parapet grade.



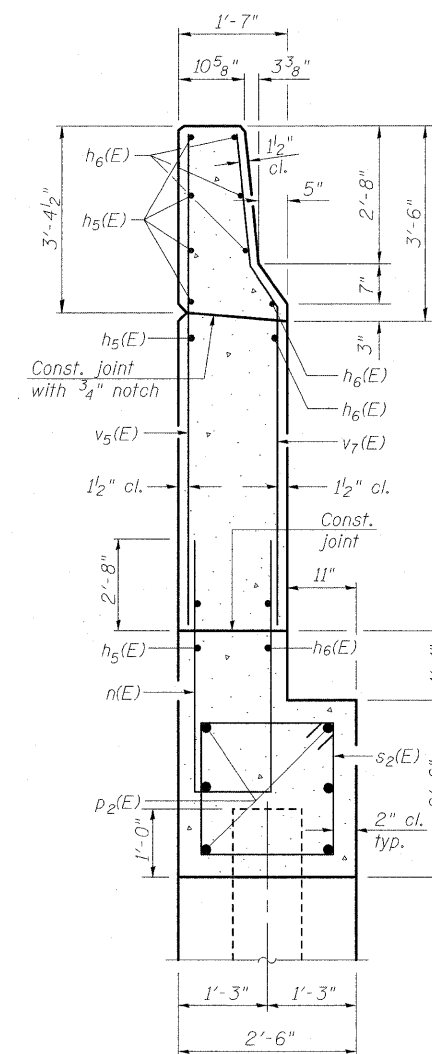
WING WALL ELEVATION
Showing Dimensions



WING WALL ELEVATION
Showing Reinforcement



SECTION A-A



SECTION B-B

Notes:
Hatched area to be poured after superstructure false work has been removed. Quantity of concrete included with Concrete Superstructure.
Space reinforcement in cap to miss anchor bolts.
Pour steps monolithically with cap.
Quantity of concrete in end post included with Concrete Superstructure on sheet 25 of 58.
For Concrete Encasement details, see sheet 50 of 58.
Apply concrete sealer to vertical front face of backwall, horizontal surface of cap and vertical front face of abutment cap.

W. ABUTMENT, S. WING (W.B)
E. ABUTMENT, S. WING (W.B)
W. ABUTMENT, N. WING (E.B)
E. ABUTMENT, N. WING (E.B)
S.N. 025-0107 & 025-0108

DESIGNED	B.B.
CHECKED	A.C.S.
DRAWN	W.J.S.
CHECKED	C.J.F. & B.B.



**BERNARDIN
LOCHMUELLER &
ASSOCIATES, INC.**

3 Oak Drive
Maryville, IL 62442-6635
Local (618) 288-4665
Fax 618-288-4666

SHEET NO. 43	F.A.I. RTE.	SECTION	COUNTY	TOTAL SHEETS	SHEET NO.
	70	(25-3)B	EFFINGHAM	1416	75
58 SHEETS	SN 025-017 & 025-0108		CONTRACT NO. 74296		
FED. ROAD DIST. NO. 7 ILLINOIS FED. AID PROJECT 70					