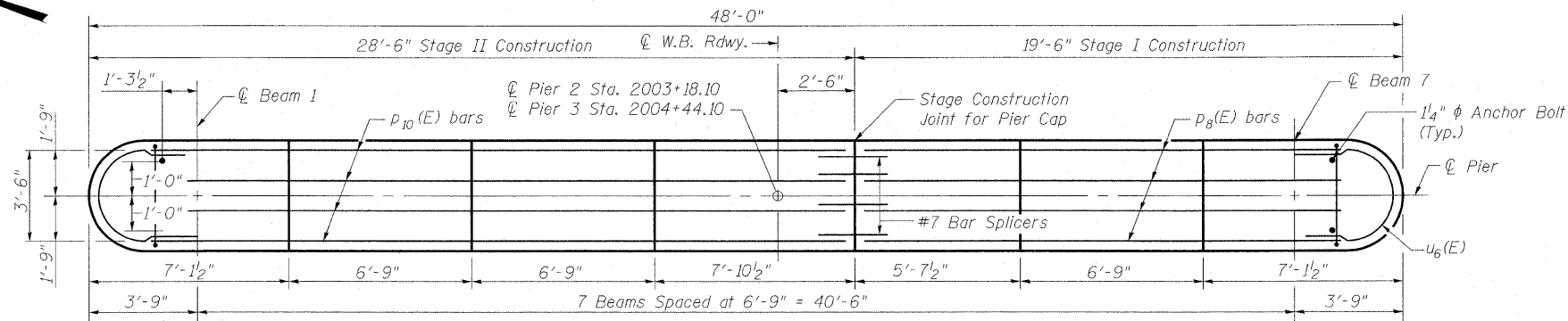


STATE OF ILLINOIS
DEPARTMENT OF TRANSPORTATION

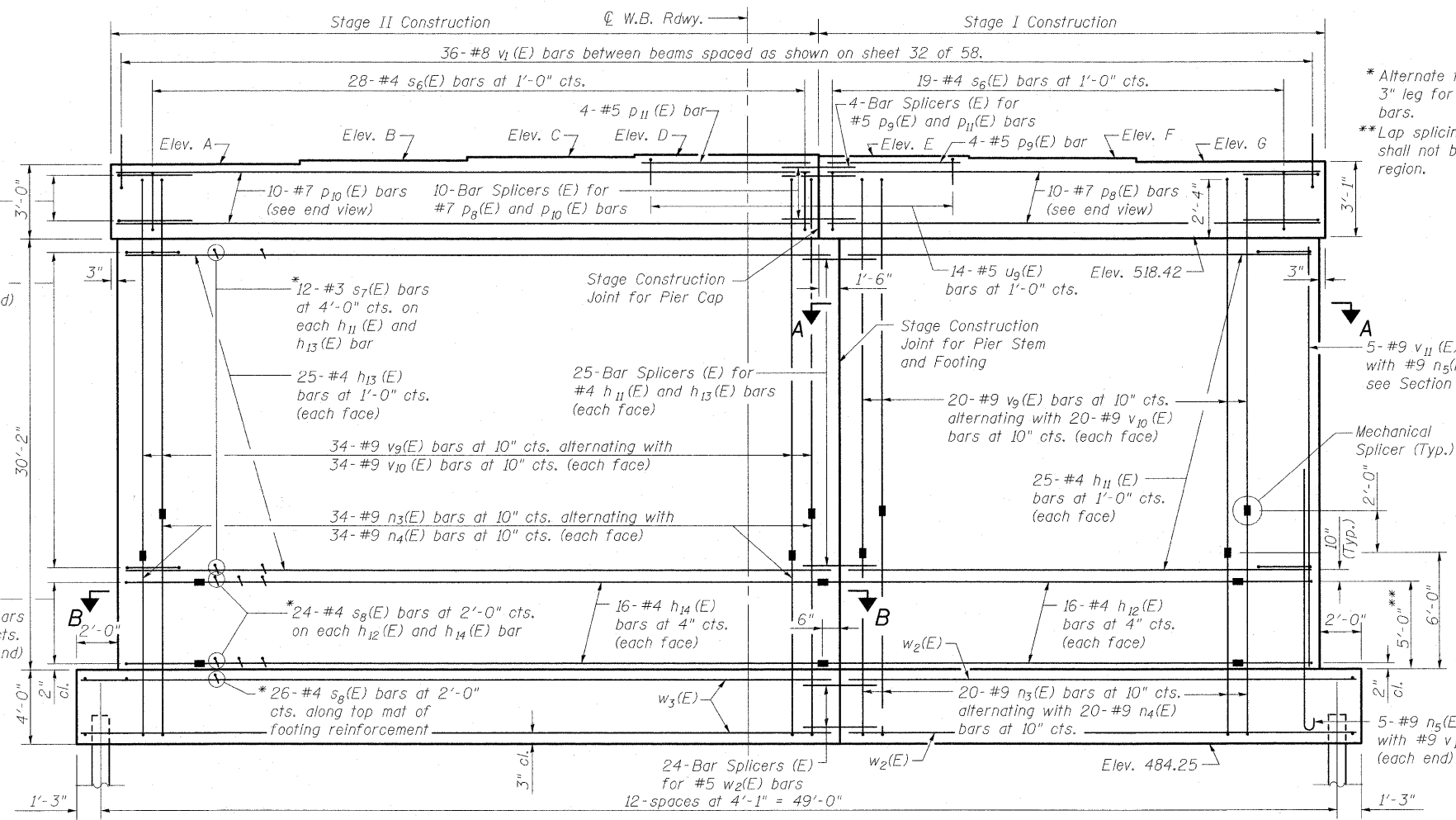
Notes:
Space reinforcement in cap to miss anchor bolts.
Pour steps monolithically with cap.
For details of piles, see sheet 50 of 58.
Clear cover noted to mechanical splicer, where applicable.
See sheet 47 of 58 for Bar Details.
See sheet 48 of 58 for Footing Plan
For Anchor Bolt and Side Retainer details see sheet 32 of 58.
For details $v_1(E)$ bars see sheet 32 of 58.
See sheet 49 of 58 for Bar Splicer and Mechanical Splicer details.

PILE DATA

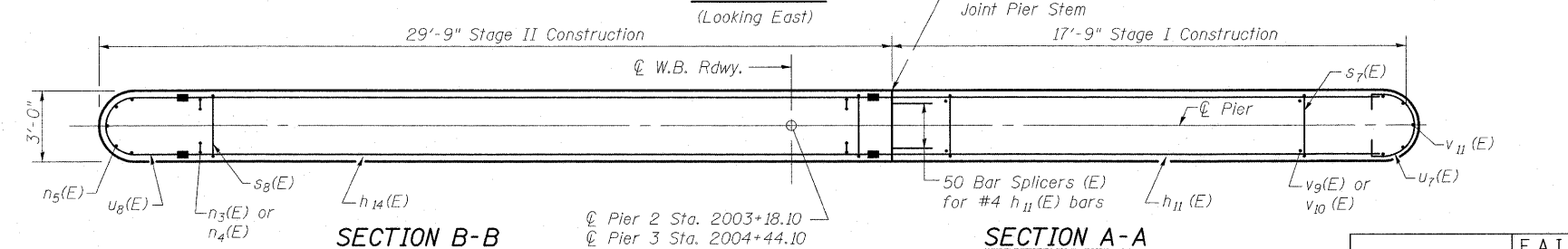
Type: HP 14x73
Nominal Required Bearing: 578k
Factored Resistance Available: 289k
Est. Length: 70'-0" Pier 2
51'-0" Pier 3
No. Production Piles: 38 per Pier
No. Test Piles: 1 per Pier
Top of Pile Elevation = 486.26



TOP PLAN



ELEVATION
(Looking East)



SECTION B-B

SECTION A-A

ELEVATION DATA

Elev.	Pier 2	Pier 3
A	521.42	521.42
B	521.57	521.55
C	521.71	521.68
D	521.81	521.76
E	521.74	521.76
F	521.66	521.65
G	521.50	521.51

STEP HEIGHTS

Elev.	Pier 2	Pier 3
A to B	+1 3/4"	+1 1/2"
B to C	+1 3/4"	+1 5/8"
C to D	+1 1/8"	+1"
D to E	-3/4"	0"
E to F	-1"	-1 3/8"
F to G	-1 1/8"	-1 5/8"

BILL OF MATERIAL FOR FOUR PIERS

Bar	No.	Size	Length	Shape
$h_{11}(E)$	200	#4	16'-0"	—
$h_{12}(E)$	128	#4	16'-3"	—
$h_{13}(E)$	200	#4	28'-0"	—
$h_{14}(E)$	128	#4	27'-3"	—
$n_3(E)$	432	#9	11'-0"	U
$n_4(E)$	432	#9	13'-0"	U
$n_5(E)$	40	#9	11'-7"	U
$p_8(E)$	40	#7	17'-6"	—
$p_9(E)$	16	#5	5'-4"	—
$p_{10}(E)$	40	#7	26'-6"	—
$p_{11}(E)$	16	#5	7'-7"	—
$s_6(E)$	188	#4	12'-5"	□
$s_7(E)$	1200	#3	3'-4"	—
$s_8(E)$	1640	#4	3'-4"	—
$t_1(E)$	824	#7	12'-6"	—
$u_6(E)$	24	#4	7'-8"	—
$u_7(E)$	200	#4	10'-7"	—
$u_8(E)$	128	#4	5'-3"	—
$u_9(E)$	56	#5	5'-2"	—
$v_1(E)$	144	#8	4'-2"	U
$v_9(E)$	432	#9	27'-9"	U
$v_{10}(E)$	432	#9	25'-9"	U
$v_{11}(E)$	40	#9	29'-11"	—
$w_2(E)$	96	#5	19'-3"	—
$w_3(E)$	96	#5	31'-3"	—
Concrete Structures	Cu. Yd.		1103.8	
Reinforcement Bars, Epoxy Coated	Pound		168600	
Furnishing Steel Piles, HP 14x73	Foot		9196	
Driving Piles	Foot		9196	
Test Piles, Steel HP 14x73	Each		4	
Bar Splicers	Each		352	
Anchor Bolts, 1 1/4"	Each		16	
Mechanical Splicers	Each		1248	

**PIER 2 & 3 (W.B.)
STRUCTURE NO. 025-0108**

DESIGNED	B.B.
CHECKED	A.C.S.
DRAWN	W.J.S.
CHECKED	C.J.F. & B.B.

BERNARDIN LOCHMUELLER & ASSOCIATES, INC.
3 Oak Drive
Maryville, IL 62452-5635
Local: (618) 288-4666
Fax: 618-288-4666

SHEET NO. 46 58 SHEETS	F.A.I. RTE. 70	SECTION (25-3)B	COUNTY EFFINGHAM	TOTAL SHEETS 1416	SHEET NO. 78
	SN 025-0108			CONTRACT NO. 74296	
FED. ROAD DIST. NO. 7 ILLINOIS FED. AID PROJECT 70					