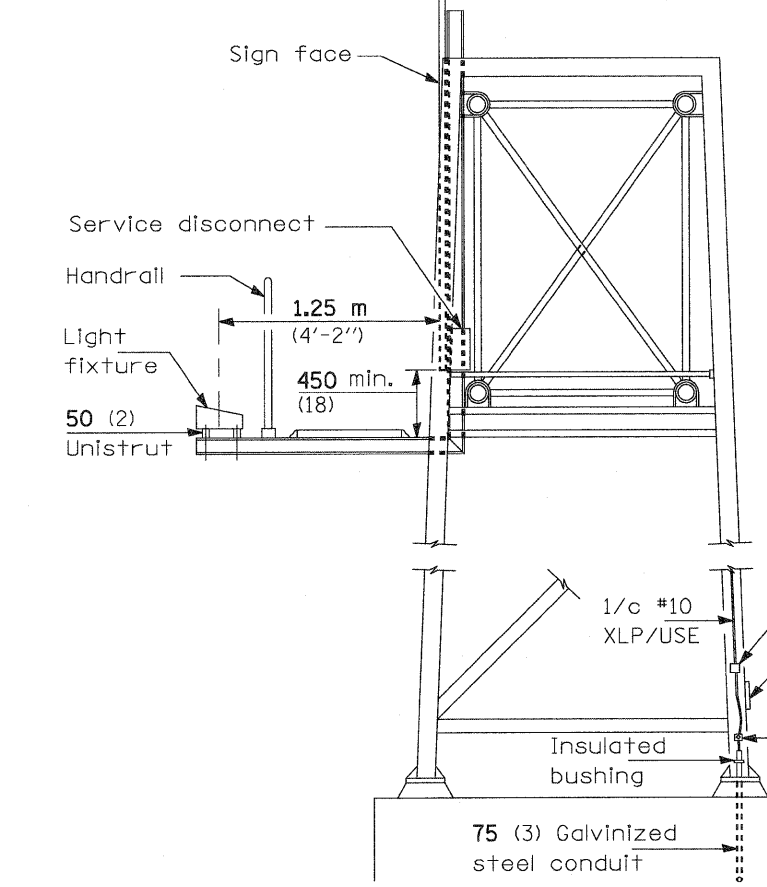
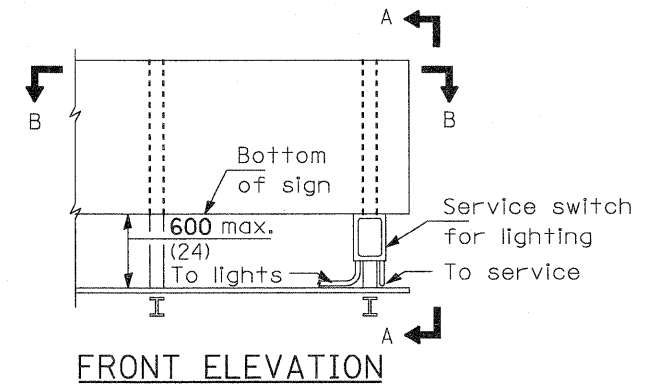


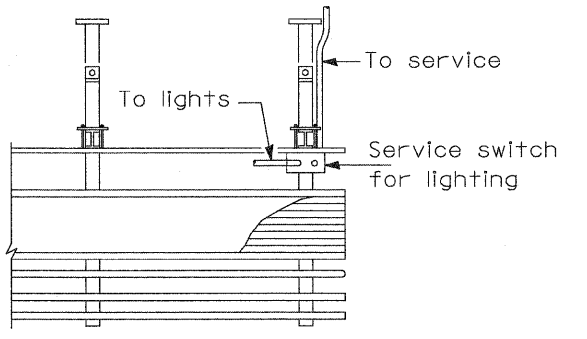
TRUSS MOUNTED SIGN
(Top view)



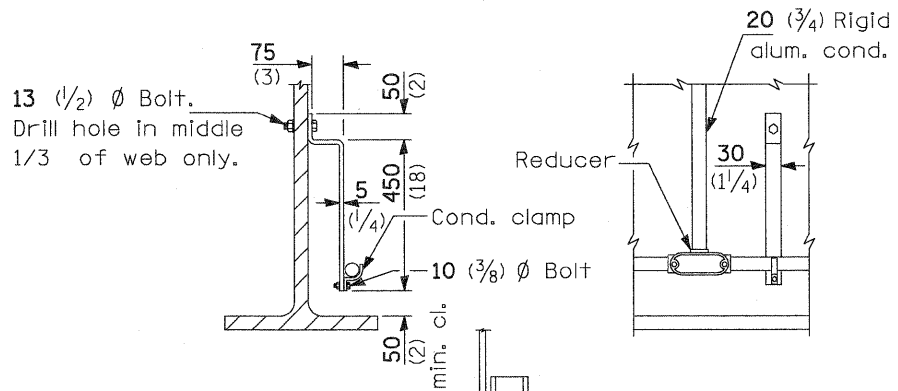
TRUSS MOUNTED SIGN
(Side elevation)



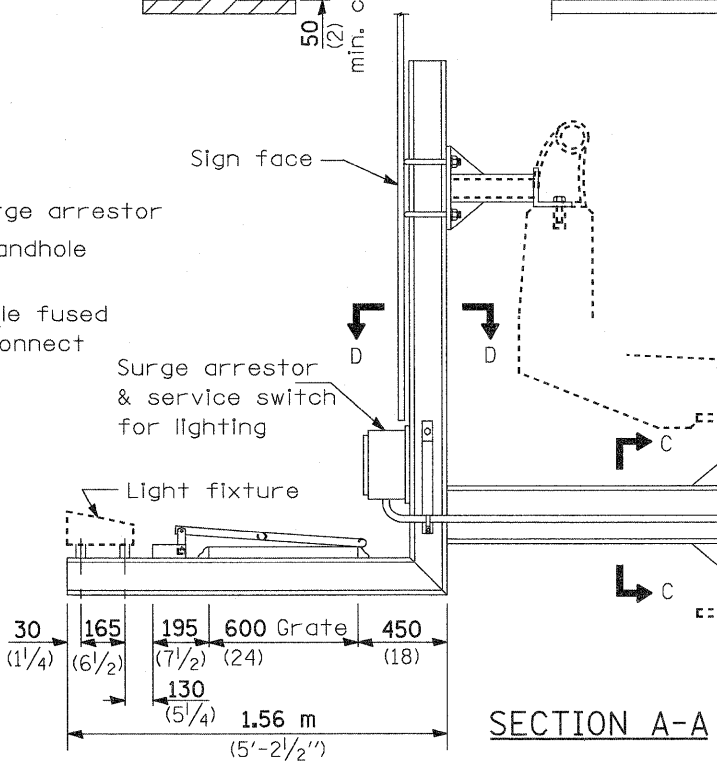
FRONT ELEVATION



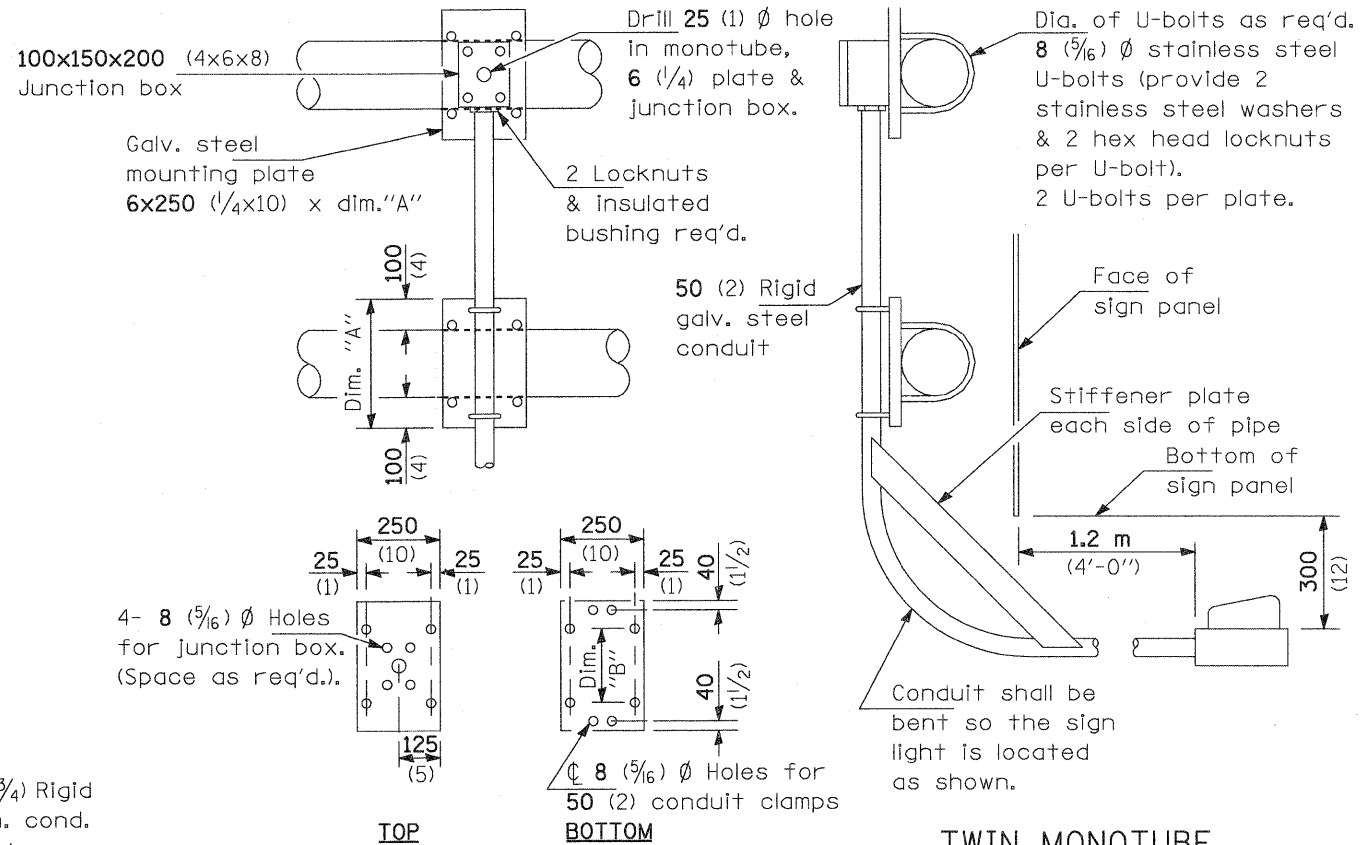
SECTION B-B



13 (1/2) Ø Bolt.
Drill hole in middle
1/3 of web only.



SECTION A-A



100x150x200 (4x6x8)
Junction box

Galv. steel
mounting plate
6x250 (1/4x10) x dim. "A"

Drill 25 (1) Ø hole
in monotube,
6 (1/4) plate &
junction box.

2 Locknuts
& insulated
bushing req'd.

Diag. of U-bolts as req'd.
8 (5/16) Ø stainless steel
U-bolts (provide 2
stainless steel washers
& 2 hex head locknuts
per U-bolt).
2 U-bolts per plate.

50 (2) Rigid
galv. steel
conduit

Face of
sign panel

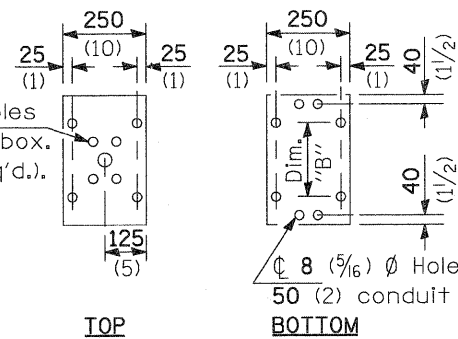
Stiffener plate
each side of pipe
Bottom of
sign panel

1.2 m
(4'-0")

300
(12)

Conduit shall be
bent so the sign
light is located
as shown.

TWIN MONOTUBE

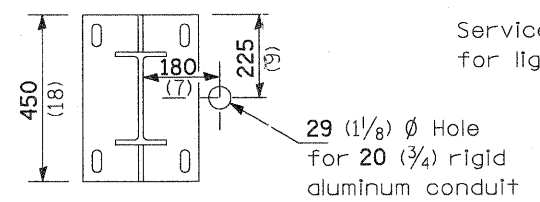


TOP

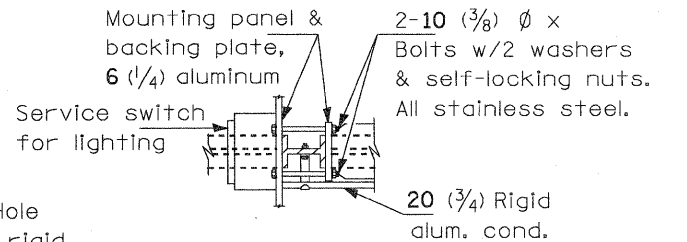
BOTTOM

Dimension "A" = monotube dia. + 200 (8)
Dimension "B" = monotube dia. + 10 (3/8)

MOUNTING PLATES



SECTION C-C



SECTION D-D

GENERAL NOTES

All sign lighting fixtures shall have a minimum of 3 mounting points.

All mounting hardware shall be stainless steel.

Service disconnect shall be stainless steel.

All dimensions are in millimeters (inches) unless otherwise shown.

FILE NAME =	USER NAME = paul	DESIGNED -	REVISED - 04-08-10	STATE OF ILLINOIS DEPARTMENT OF TRANSPORTATION	SIGN LIGHTING DETAILS, SOUTH TRI LEVEL	F.A.I RTE.	SECTION	COUNTY	TOTAL SHEETS	SHEET NO.	
S:\Projects\403-00072.51-TriLevel\Lighting details.dgn		DRAWN -	REVISED -			57/70	(25-3)I-6	EFFINGHAM	1416	416	
PLOT SCALE = 40.0000 / IN.		CHECKED -	REVISED -			SCALE: SHEET NO. 27 OF 34 SHEETS STA. TO STA.		CONTRACT NO. 74293			
PLOT DATE = 4/21/2010		DATE -	REVISED -			FED. ROAD DIST. NO. ILLINOIS FED. AID PROJECT					