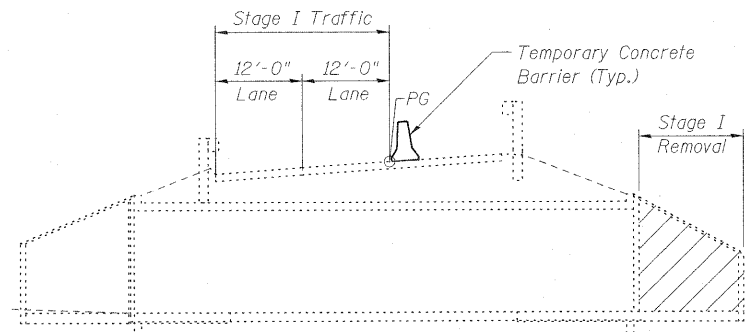


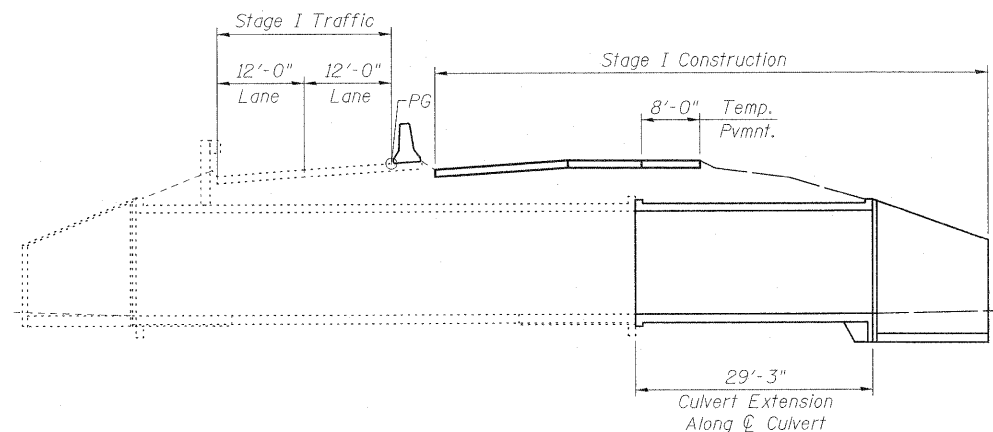
STATE OF ILLINOIS  
DEPARTMENT OF TRANSPORTATION



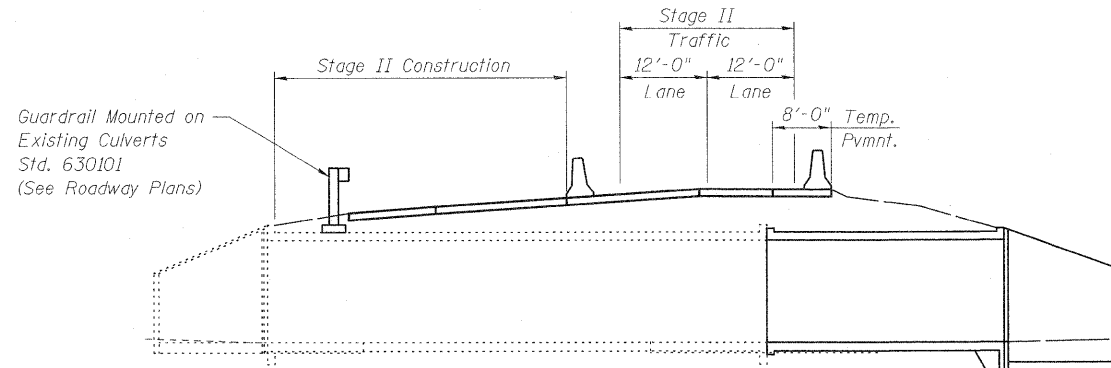
**STAGE I REMOVAL**

Indicates Concrete Removal

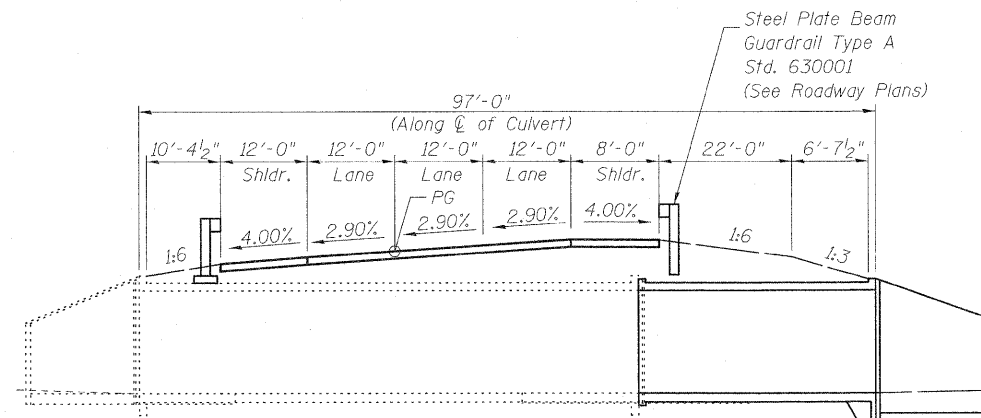
Note: All dimensions are radial to 57/70 unless otherwise noted.  
All Cross-Sections Looking North.  
For quantity of concrete barrier see Roadway Plans.



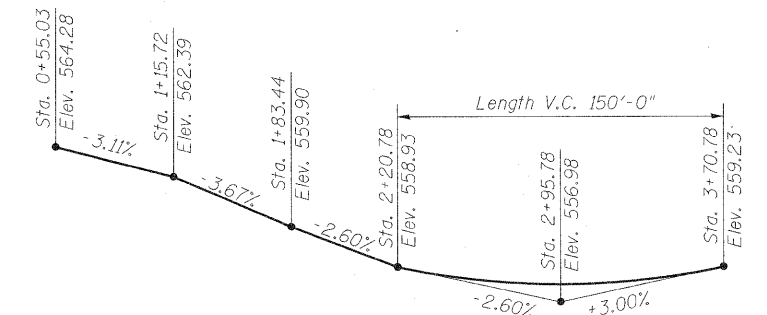
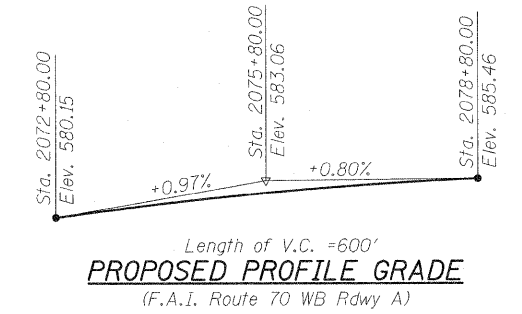
**STAGE I CONSTRUCTION**



**STAGE II CONSTRUCTION**



**FINAL CONFIGURATION**



**PROPOSED PROFILE GRADE**  
(Frontage Road 1354)

**PROPOSED HORIZONTAL CURVE DATA FR 1354**

P.I. Sta. 3+40.85 FR 1354  
 $\Delta = 9^\circ 14' 24''$   
 $D = 8^\circ 00' 17''$   
 $R = 715.78'$   
 $T = 57.84'$   
 $L = 115.43'$   
 $E = 2.33'$   
 P.C. Sta. = 2+83.01  
 P.T. Sta. = 3+98.44

**PROPOSED HORIZONTAL CURVE DATA**

P.I. Sta. 2059+30.08 F.A.I. 70 (Rdwy A)  
 $\Delta = 55^\circ 59' 40''$  (LT)  
 $D = 0^\circ 50' 35''$   
 $R = 6,796.00'$   
 $T = 3,613.08'$   
 $L = 6,641.65'$   
 $E = 900.75'$   
 P.C. Sta. = 2023+17.00  
 P.T. Sta. = 2090+01.65

**STAGE CONSTRUCTION DETAILS  
STRUCTURE NO. 025-2017**

DESIGNED	B.B.
CHECKED	C.J.F.
DRAWN	W.J.S.
CHECKED	C.J.F. & B.B.



**BERNARDIN  
LOCHMUELLER &  
ASSOCIATES, INC.**

3 Oak Drive  
Maryville, IL 62962-5635  
Local (618) 283-4666  
Fax 618-283-4666

SHEET NO. 2  8 SHEETS	F.A.I. RTE. 70	SECTION (25-3)BY	COUNTY EFFINGHAM	TOTAL SHEETS 1416	SHEET NO. 460
	SN 025-2017		CONTRACT NO. 74296		
FED. ROAD DIST. NO. 7 ILLINOIS FED. AID PROJECT					