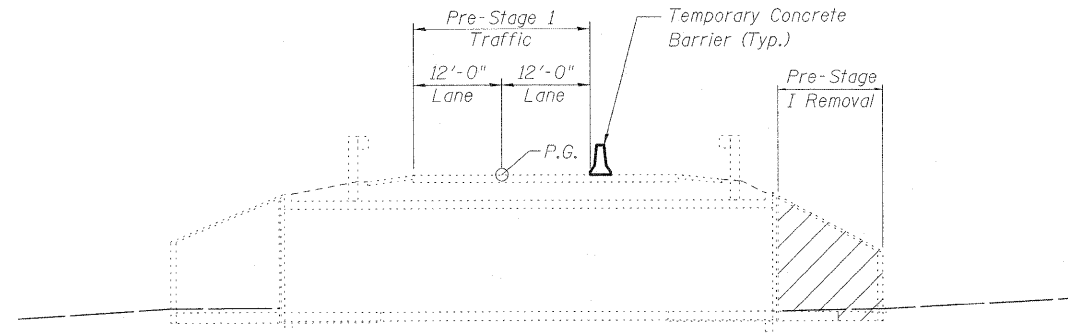


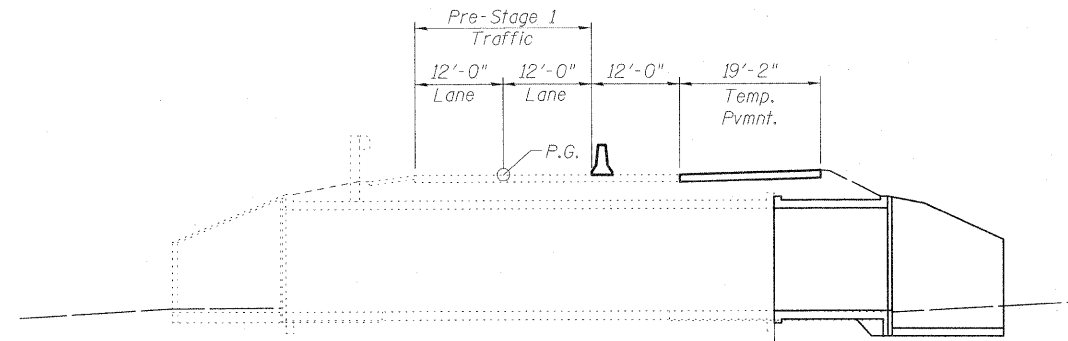
STATE OF ILLINOIS
DEPARTMENT OF TRANSPORTATION



PRE STAGE 1 REMOVAL

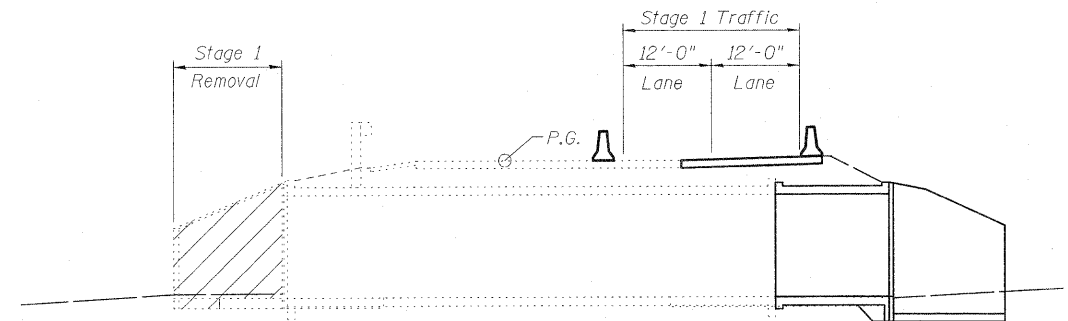
Indicates Concrete Removal

Note: All dimensions are radial to 57/70 unless otherwise noted. All Cross-Sections Looking North. For quantity of Concrete barrier see Roadway Plans.

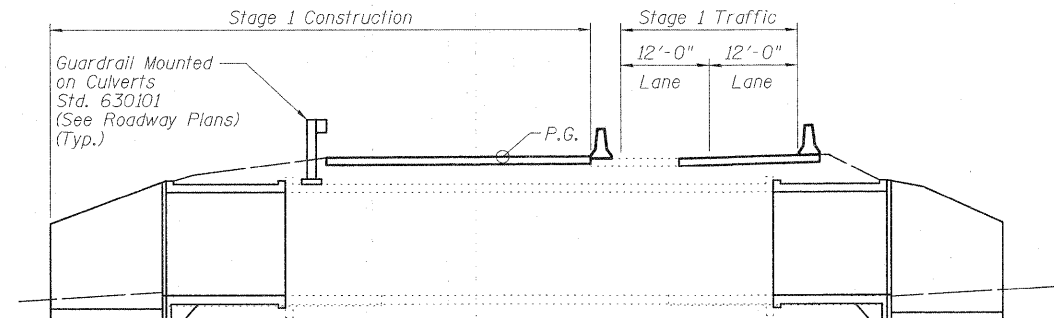


PRE STAGE 1 CONSTRUCTION

Culvert Extension Along ϕ of Culvert

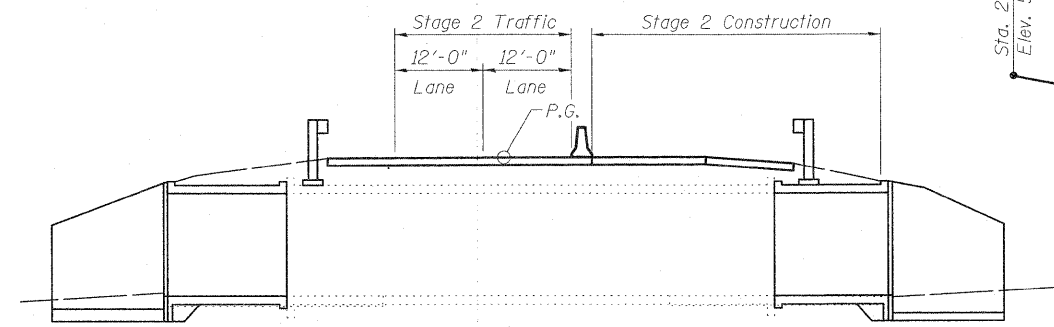


STAGE 1 REMOVAL

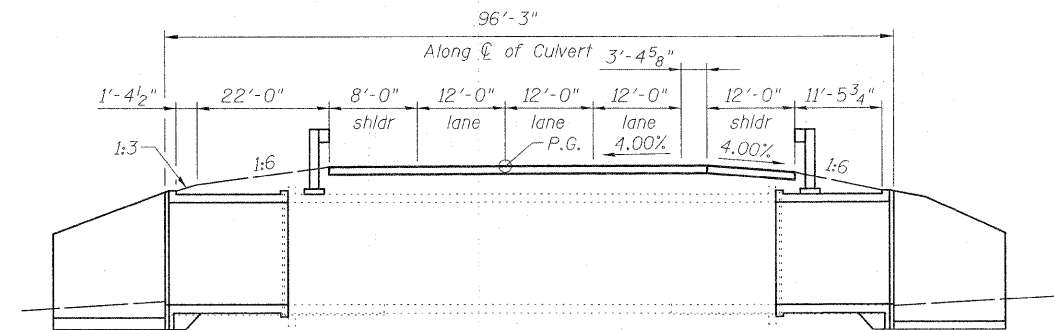


STAGE 1 CONSTRUCTION

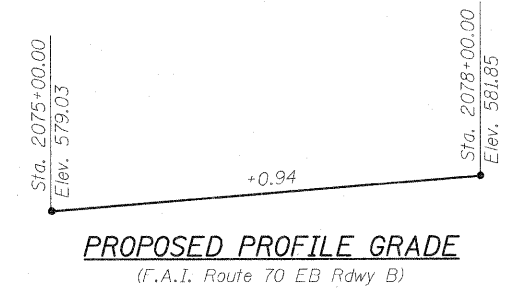
Culvert Extension Along ϕ of Culvert



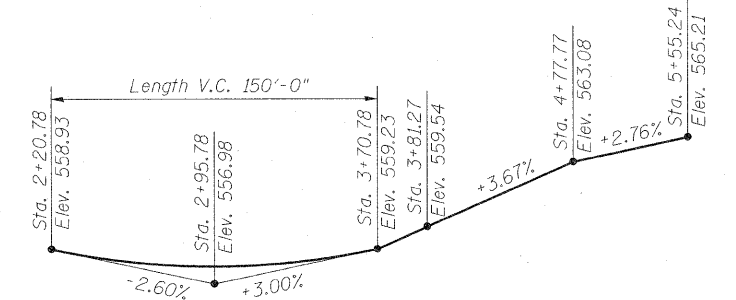
STAGE 2 CONSTRUCTION



FINAL CONFIGURATION



PROPOSED PROFILE GRADE
(F.A.I. Route 70 EB Rdwy B)



PROPOSED PROFILE GRADE
(Frontage Road 1354)

PROPOSED HORIZONTAL CURVE DATA FR 1354

P.I. Sta. 3+40.85 FR 1354
 $\Delta = 9^\circ 14' 24''$
 $D = 8^\circ 00' 17''$
 $R = 715.78'$
 $T = 57.84'$
 $L = 115.43'$
 $E = 2.33'$
 $P.C. Sta. = 2+83.01$
 $P.T. Sta. = 3+98.44$

PROPOSED HORIZONTAL CURVE DATA F.A.I. 70 EB RDWY B

P.I. Sta. 2058+88.72
 $\Delta = 60^\circ 36' 08''$ (LT)
 $D = 1^\circ 15' 05''$
 $R = 4578.30'$
 $T = 2675.46'$
 $L = 4842.50'$
 $E = 724.43'$
 $SE = 0.04$ ft/ft
 $SE Run = 120.00'$
 $P.C. Sta. = 2032+13.26$
 $P.T. Sta. = 2080+55.76$

STAGE CONSTRUCTION DETAILS
STRUCTURE NO. 025-2018

DESIGNED	B.B.
CHECKED	C.J.F.
DRAWN	J.G.
CHECKED	C.J.F. & B.B.



**BERNARDIN
LOCHMUELLER &
ASSOCIATES, INC.**

3 Oak Drive
Maryville, IL 62062-6695
Local: 618-288-4665
Fax: 618-288-4666

SHEET NO. 2 9 SHEETS	F.A.I. RTE. 70	SECTION (25-3)BY	COUNTY EFFINGHAM	TOTAL SHEETS 1416	SHEET NO. 468
	SN 025-2018		CONTRACT NO. 74296		
FED. ROAD DIST. NO. 7 ILLINOIS FED. AID PROJECT					