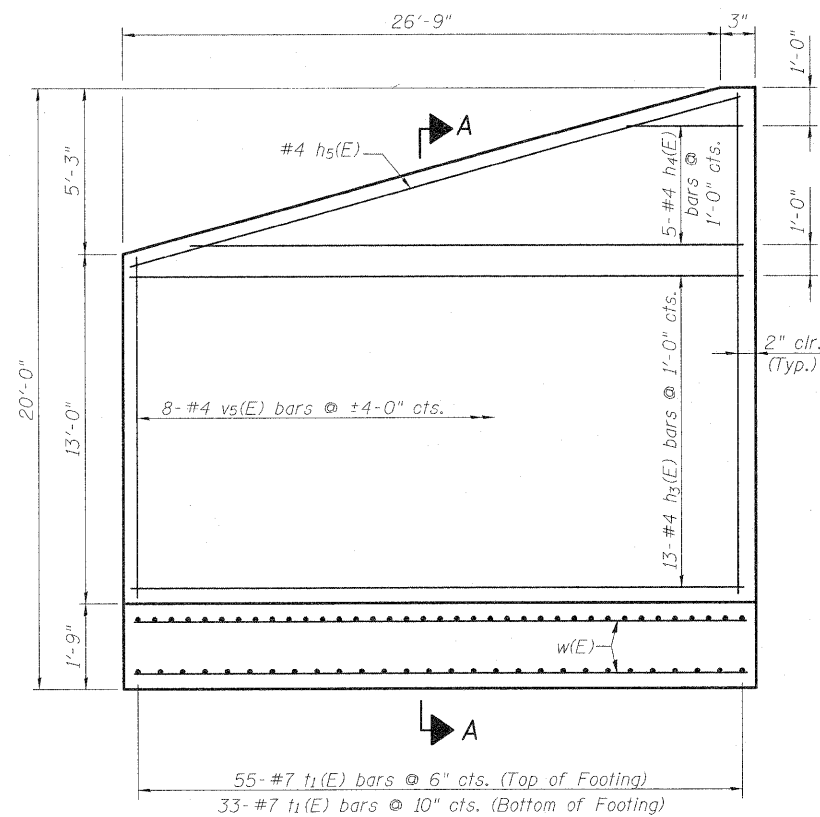
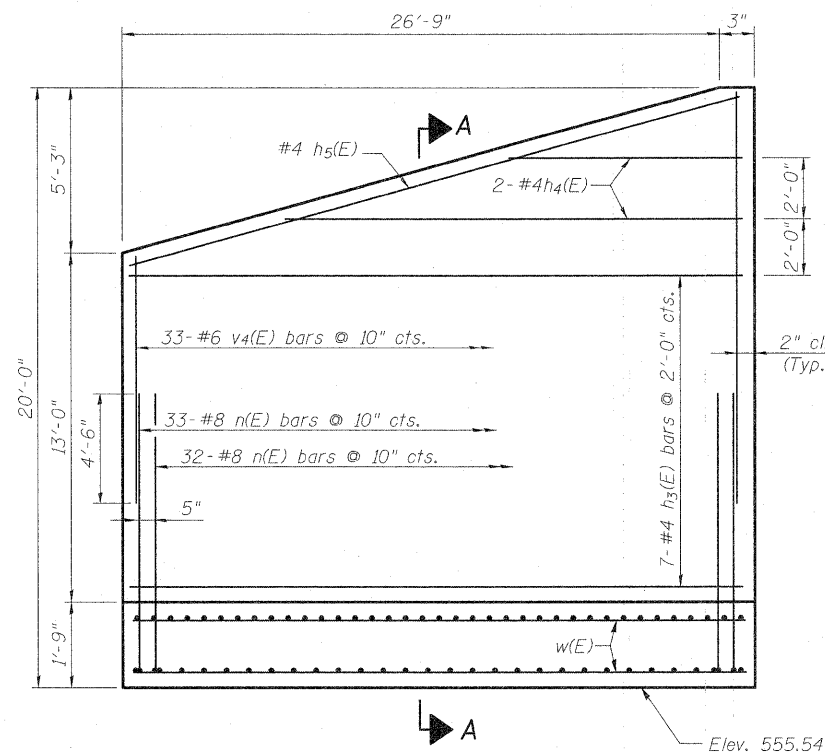


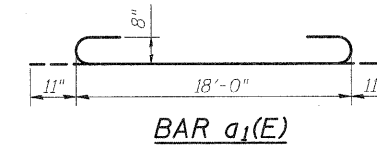
STATE OF ILLINOIS  
DEPARTMENT OF TRANSPORTATION



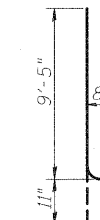
**FRONT FACE**



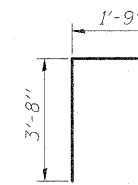
**BACK FACE**



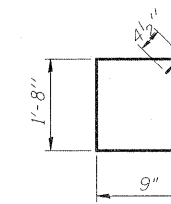
**BAR a<sub>1</sub>(E)**



**BARS n(E)**

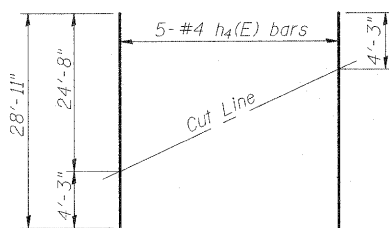


**BAR d(E)**

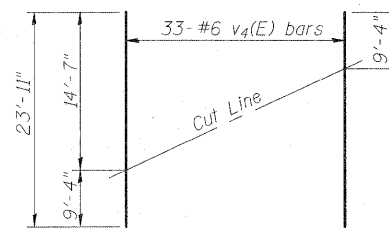


**BARS s<sub>1</sub>(E)**

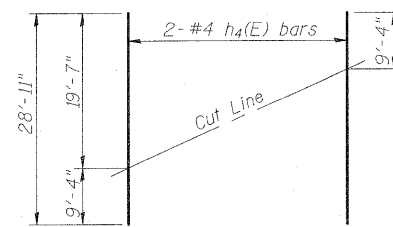
**WEST WINGWALL REINFORCEMENT**



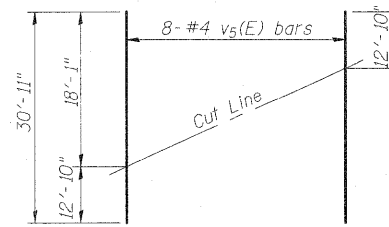
**FIELD CUTTING DIAGRAM**  
(h<sub>4</sub>(E) bars Front Face)



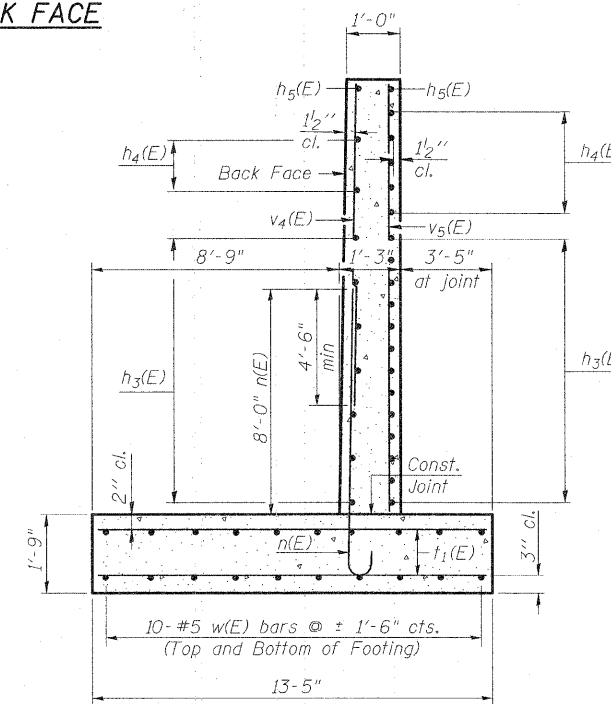
**FIELD CUTTING DIAGRAM**  
(v<sub>4</sub>(E) bars Back Face)



**FIELD CUTTING DIAGRAM**  
(h<sub>4</sub>(E) bars Back Face)



**FIELD CUTTING DIAGRAM**  
(v<sub>5</sub>(E) bars Front Face)



**SECTION A-A**

Note:  
For Bill of Material see Sheet 7 of 9.

**WEST EXTENSION WING WALLS  
STRUCTURE NO. 025-2018**

DESIGNED	B.B.
CHECKED	C.J.F.
DRAWN	J.G.
CHECKED	C.J.F. & B.B.

Order bars full length. Cut as shown and use remainder of bars in opposite wingwall.



**BERNARDIN  
LOCHMUELLER &  
ASSOCIATES, INC.**

3 Oak Drive  
Maryville, IL 62062-5635  
Local (618) 288-4666  
Fax 618-288-4666

SHEET NO. 6 9 SHEETS	F.A.I. RTE.	SECTION	COUNTY	TOTAL SHEETS	SHEET NO.
	70	(25-3)BY	EFFINGHAM	1416	472
SN 025-2018			CONTRACT NO. 74296		
FED. ROAD DIST. NO. - ILLINOIS FED. AID PROJECT					