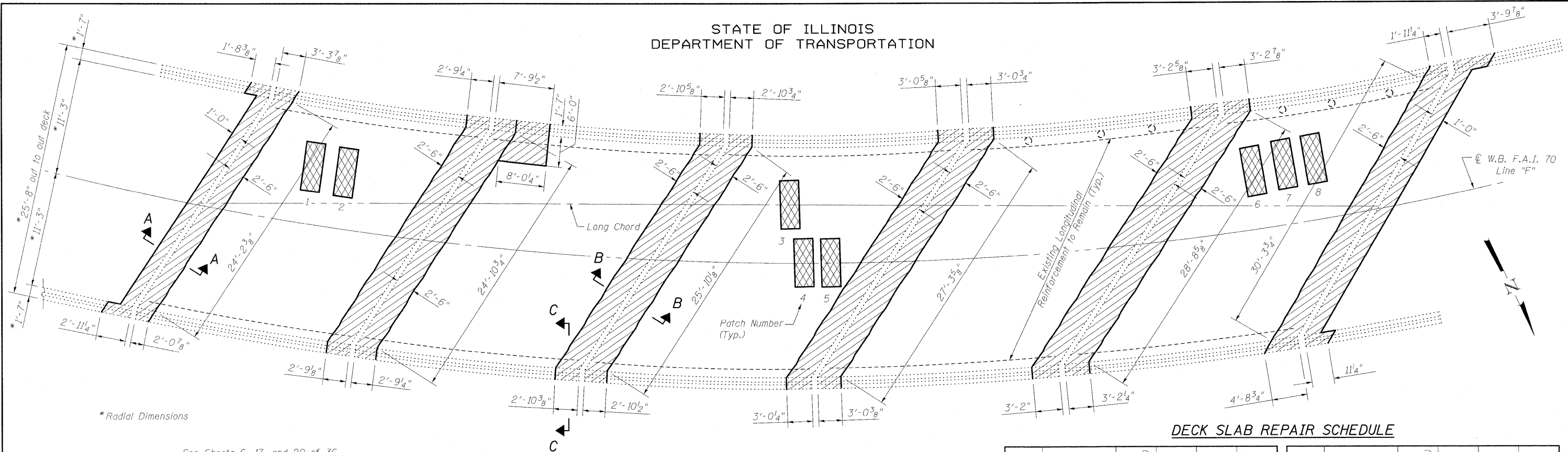


STATE OF ILLINOIS  
DEPARTMENT OF TRANSPORTATION



DECK SLAB REPAIR SCHEDULE

Patch No.	Size	Deck Slab Repair (Part. Depth)	Deck Slab Repair (FD TY I)	Deck Slab Repair (FD TY II)
1	2.0 x 5.7			1.3
2	2.0 x 5.7			1.3
3	2.0 x 5.7			1.3
4	2.0 x 5.7			1.3
5	2.0 x 5.7			1.3
6	2.0 x 5.7			1.3
7	2.0 x 5.7			1.3
8	2.0 x 5.7			1.3
Total (Sq. Yd.)		0	0	10.4
Use (Sq. Yd.)		0	0	11.0

BILL OF MATERIAL

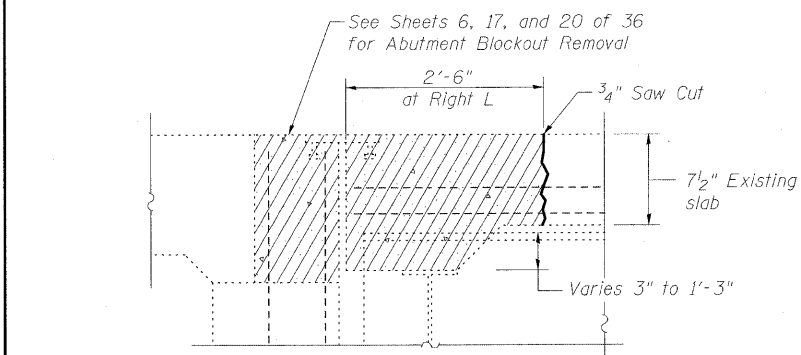
Item	Unit	Total
Concrete Removal	Cu. Yd.	42.1
Deck Slab Repair (Full Depth, Type II)	Sq. Yd.	11.0

CONCRETE REMOVAL &  
DECK SLAB REPAIR  
SUPERSTRUCTURE  
STRUCTURE NO. 025-0018

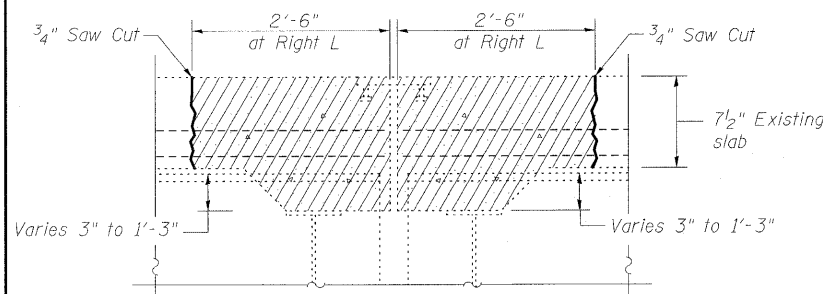
PLAN

- Indicates Concrete Removal
- Indicates Deck Slab Repair (Full Depth, Type II)

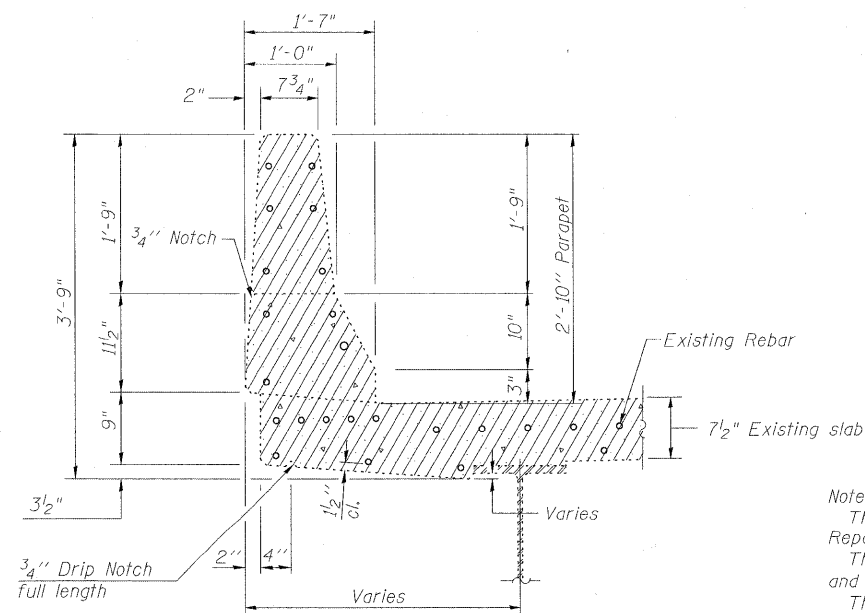
SECTION A-A



SECTION B-B



SECTION C-C



Notes:

The condition of the deck shall be inspected and surveyed for additional Deck Slab Repairs if the date of construction occurs after April 2012.  
The locations and sizes of the Deck Slab Repairs are approximate. Actual locations and sizes are to be determined in the field by the Engineer.  
The locations and sizes of the Deck Slab Repairs were determined by a visual survey completed on February 1, 2010.  
The Engineer shall record the location of the actual Deck Slab Repair on the As Build Plans.

DESIGNED	B.B.
CHECKED	C.J.F.
DRAWN	W.J.S.
CHECKED	C.J.F. & B.B.



BERNARDIN  
LOCHMUELLER &  
ASSOCIATES, INC.

3 Oak Drive  
Maryville, IL 62062-5635  
Local (618) 288-4665  
Fax 618-288-4666

SHEET NO. 4 36 SHEETS	F.A.I. RTE.	SECTION	COUNTY	TOTAL SHEETS	SHEET NO.
	57	(25-3HB)I-3	EFFINGHAM	1416	1385
		SN 025-0018	CONTRACT NO. 74296		
FED. ROAD DIST. NO. 7 ILLINOIS FED. AID PROJECT					