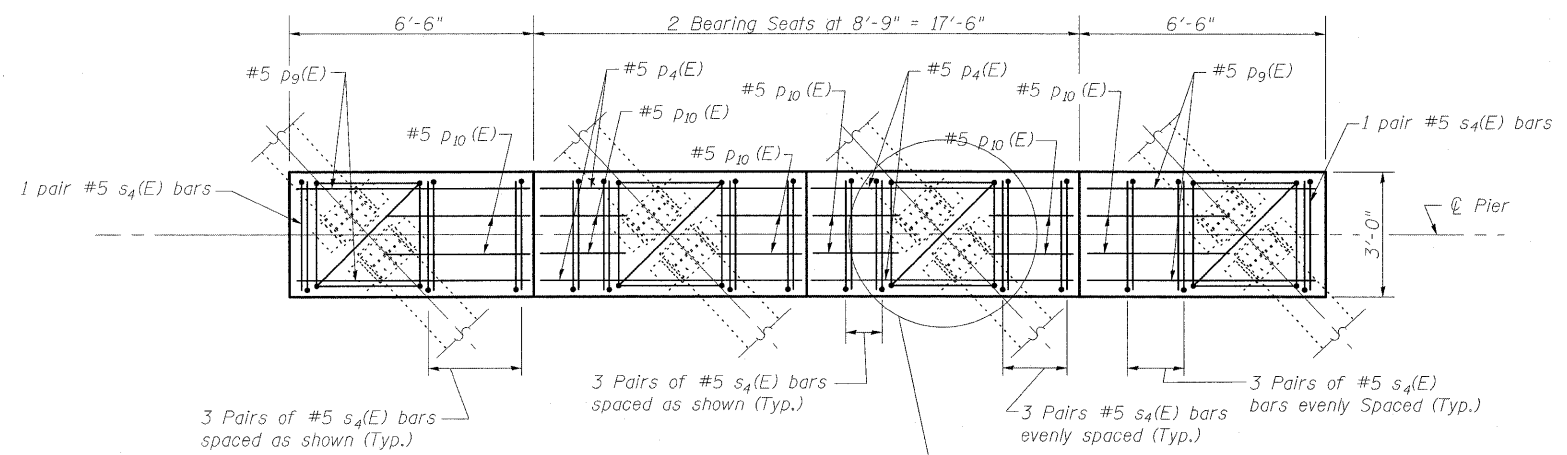
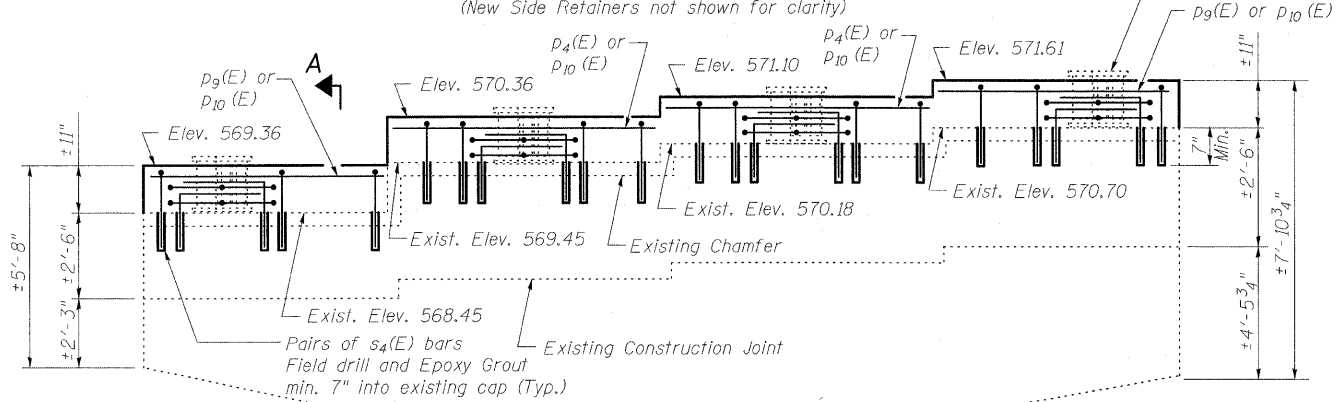


STATE OF ILLINOIS
DEPARTMENT OF TRANSPORTATION

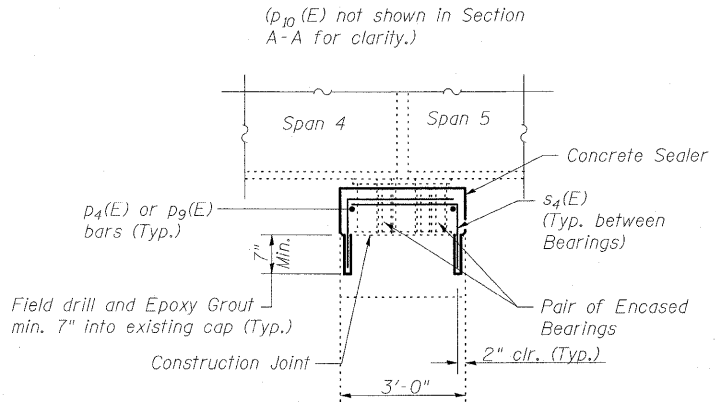


PLAN CAP



ELEVATION

(Looking East)



SECTION A-A

(Showing Bearings and Superstructure)

Notes:
For Detail A see Sheet 31 of 36.
Space reinforcement in cap to miss Anchor Bolts.
Bars shall be drilled and grouted according to Section 584 of the Standard Specifications.
Concrete Sealer shall be applied only to exposed surfaces of the new concrete on Pier 4.

DESIGNED	B.B.
CHECKED	C.J.F.
DRAWN	W.J.S.
CHECKED	C.J.F. & B.B.



**BERNARDIN
LOCHMUELLER &
ASSOCIATES, INC.**

3 Oak Drive
Maryville, IL 62862-9655
Local (618) 398-4665
Fax 618-288-4666

SHEET NO. 30 36 SHEETS	F.A.I. RTE. 57	SECTION (25-3HB)I-3	COUNTY EFFINGHAM	TOTAL SHEETS 1416	SHEET NO. 1411
	SN 025-0018		CONTRACT NO. 74296		
FED. ROAD DIST. NO. 7 ILLINOIS FED. AID PROJECT					

**PIER 4 GENERAL PLAN
STRUCTURE NO. 025-0018**

11/16/25 AM 4/29/2010 10250018-74296.dgn