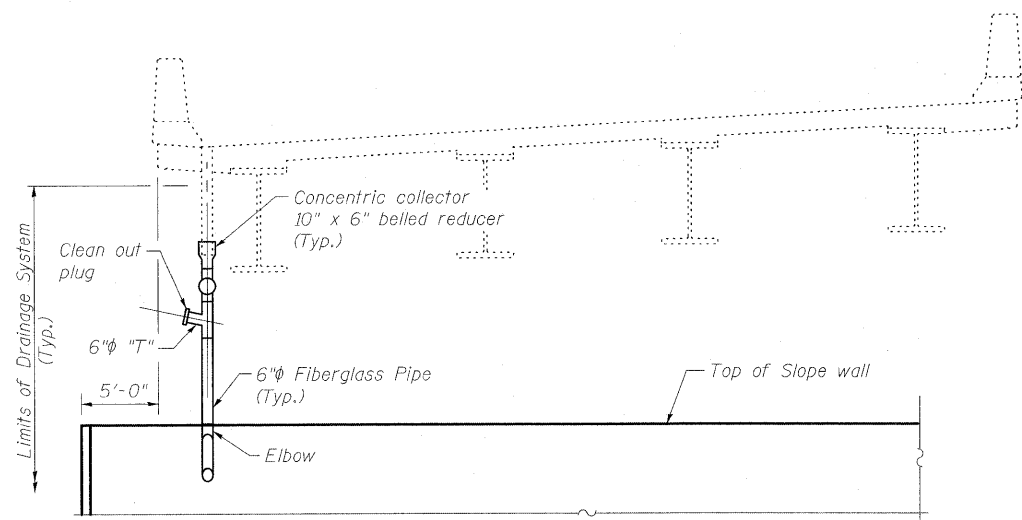
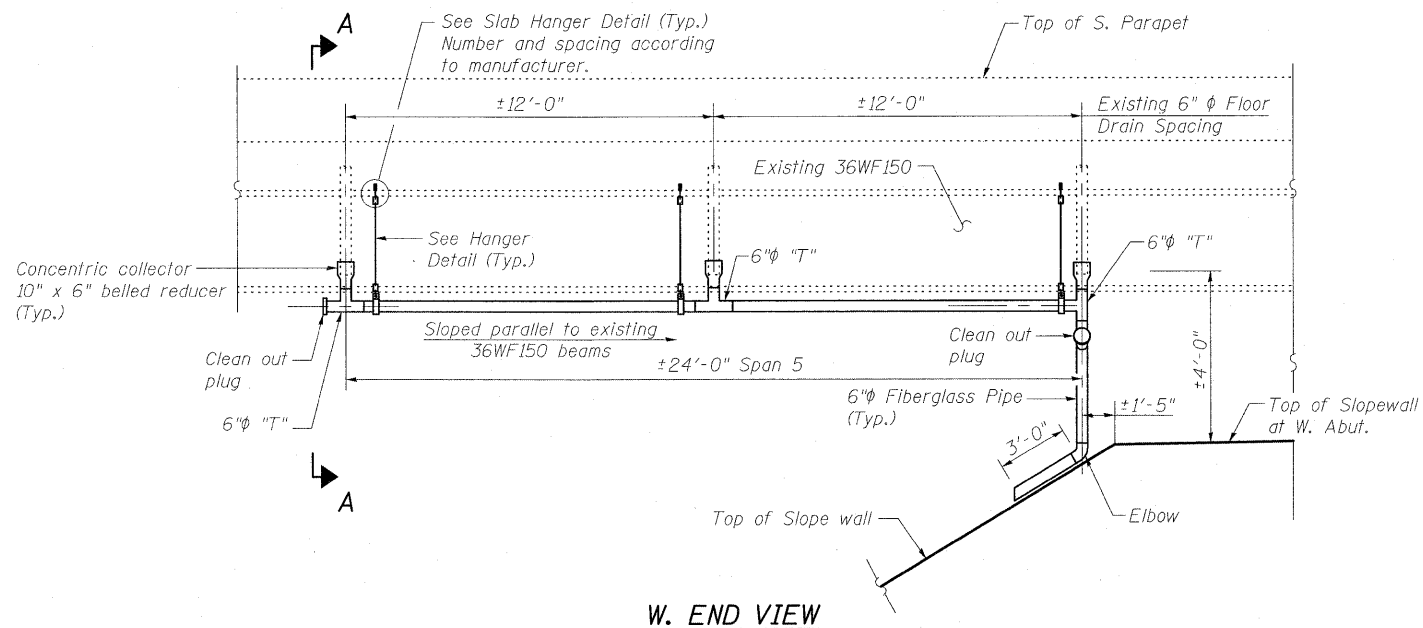


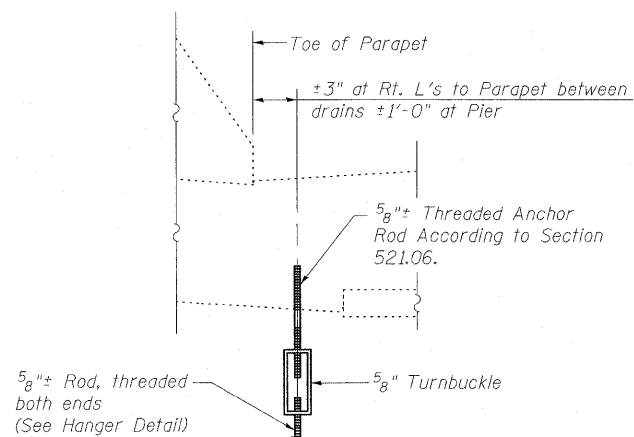
STATE OF ILLINOIS
DEPARTMENT OF TRANSPORTATION



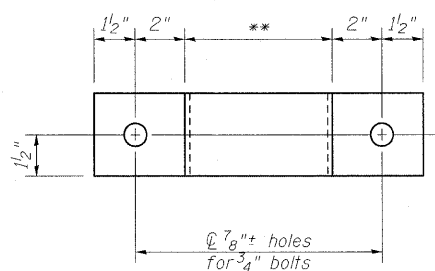
SECTION A-A
(Looking East)



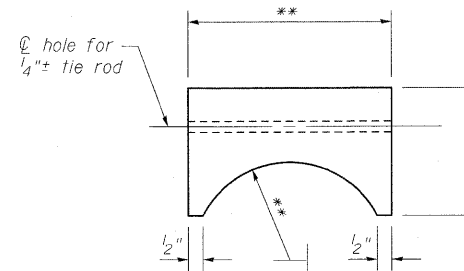
W. END VIEW



SLAB HANGER DETAIL

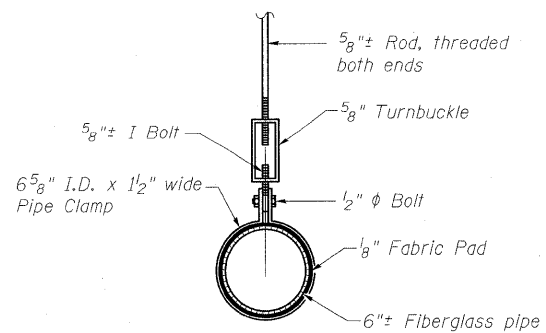


3/8" x 3" STRAP DETAIL



RUBBER SHIM DETAIL

* Dimension as required by the pipe strap.
** Dimension as required by the pipe.



HANGER DETAIL

DESIGNED	B.B.
CHECKED	C.J.F.
DRAWN	W.J.S.
CHECKED	C.J.F. & B.B.

**SPAN 5
DRAINAGE SYSTEM
STRUCTURE NO. 025-0018**



**BERNARDIN
LOCHMUELLER &
ASSOCIATES, INC.**

3 Oak Drive
Mareville, IL 62062-5635
Local (618) 288-4665
Fax 618-288-4666

SHEET NO. 35 36 SHEETS	F.A.I. RTE.	SECTION	COUNTY	TOTAL SHEETS	SHEET NO.
	57	(25-3HB)I-3	EFFINGHAM	1416	1416
SN 025-0018			CONTRACT NO. 74296		
FED. ROAD DIST. NO. 7 ILLINOIS FED. AID PROJECT					